

# PRODUCT INFORMATION PACKET



Model No: 978  
Catalog No: 978  
1/20 HP OEM Replacement Motor, 1050 RPM, 115 Volts, 42 Frame, TEAO  
HVAC/R OEM Replacement Motors



Regal and Century are trademarks of Regal Beloit Corporation or one of its affiliated companies.  
©2020 Regal Beloit Corporation, All Rights Reserved. MC017097E





**Nameplate Specifications**

Output HP	1/20 Hp	Output KW	0.04 kW
Frequency	60 Hz	Voltage	115 V
Current	1.7 A	Speed	1050 rpm
Service Factor	1	Phase	1
Duty	Continuous Air Over	Insulation Class	B
Frame	42	Enclosure	Totally Enclosed Air Over
Thermal Protection	Automatic	Ambient Temperature	40 °C
UL	Recognized	CSA	Y
CE	N		

**Technical Specifications**

Electrical Type	Shaded Pole	Starting Method	Across The Line
Poles	6	Rotation	Clockwise Shaft End
Mounting	Extended Studs	Motor Orientation	Horizontal
Drive End Bearing	Sleeve	Opp Drive End Bearing	Sleeve
Frame Material	Rolled Steel	Shaft Type	Flat
Overall Length	7.25 in	Frame Length	3.67 in
Shaft Diameter	0.375 in	Shaft Extension	3 in
Outline Drawing	DA3G7205-S01		

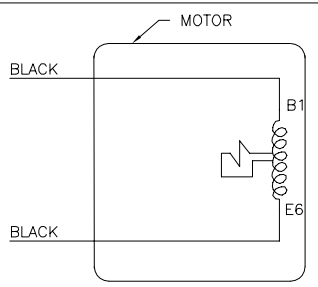
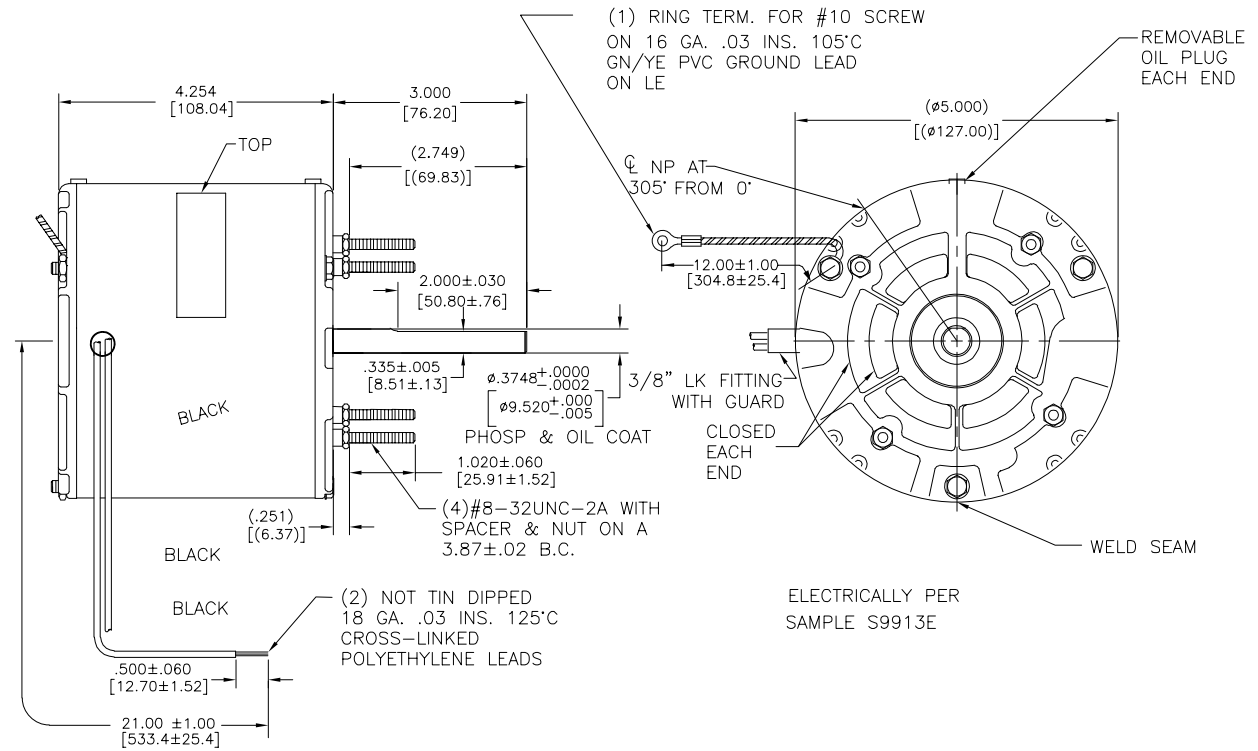
This is an uncontrolled document once printed or downloaded and is subject to change without notice. Date Created:27/05/2020

CUSTOMER IS SOLELY RESPONSIBLE FOR MOTOR PERFORMANCE AND SUITABILITY IN APPLICATIONS FOR CUSTOMER'S USES.

DA3G7205N"

REV	ECO	REV BY	DATE	APPD	DATE
G	0028999	A. ESCOBAR	10-16-2012	R. RASCON	10-16-2012

END PLAY .005[.13] MIN - .040[1.02] MAX  
 MAX. SHAFT RUN OUT .001[.03] PER INCH  
 MAX. RUN OUT NOT TO EXCEED .010[.25]



SCHEMATIC-283

ROT.: - CCWLE-CWSE

NAMEPLATE DATA:

**Century** TIPP CITY, OHIO THERMALLY PROTECTED

SER. DATE & PO# FLT LTR MOD DA3G205N\* STK NO. 978

VOLTS 115 HZ 60 AMPS 1.7

RPM 1050 SP PH CAP

INS CLB AMB 40C HP 1/20

BRG SLV

ASSEMBLED IN MEXICO

- GEOMETRIC CHARACTERISTICS & SYMBOLS
- ▭ FLATNESS
  - STRAIGHTNESS
  - ∠ ANGULARITY
  - ⊥ PERPENDICULARITY (SQUARENESS)
  - ∥ PARALLELISM
  - ROUNDNESS (CIRCULARITY)
  - ⊘ CYLINDRICITY
  - ⌒ PROFILE OF ANY SURFACE
  - ⌒ PROFILE OF ANY LINE
  - ⌀ RUNOUT
  - ⊕ TRUE POSITION
  - ⊙ CONCENTRICITY
  - ⊖ SYMMETRY
- ASME Y14.5M 1994

REGAL-BELOIT CORPORATION (RBC) PROVIDES TECHNICAL ASSISTANCE TO OUR CUSTOMERS IN SEVERAL AREAS. SINCE RBC DOES NOT RECEIVE ALL DATA CONCERNING THE USE AND APPLICATION OF THE MOTOR, THE SUITABILITY OF THE MOTOR FOR THE APPLICATION MUST BE DETERMINED BY THE CUSTOMER.

DIMENSIONS WITHOUT TOLERANCES ARE FOR REFERENCE ONLY.

DR BY:	TLB	02-06-1999
APPD:	TDS	
THIRD ANGLE PROJECTION		
EDS DATE	11-11-2011	
FORMAT REV	H	

CONFIDENTIAL: THIS DRAWING AND ITS INFORMATION ARE THE EXCLUSIVE AND CONFIDENTIAL PROPERTY OF REGAL-BELOIT CORPORATION AND ARE NOT TO BE DISCLOSED, DUPLICATED, DISTRIBUTED OR OTHERWISE USED WITHOUT THE WRITTEN CONSENT OF REGAL-BELOIT CORPORATION. -ALL RIGHTS RESERVED.

<b>REGAL-BELOIT CORPORATION</b>	
DESCRIPTION	
MODEL-RFHP-42FR OUTLINE	
SIZE	DWG NO
C	DA3G7205
SCALE	NONE
SHEET 1	

4

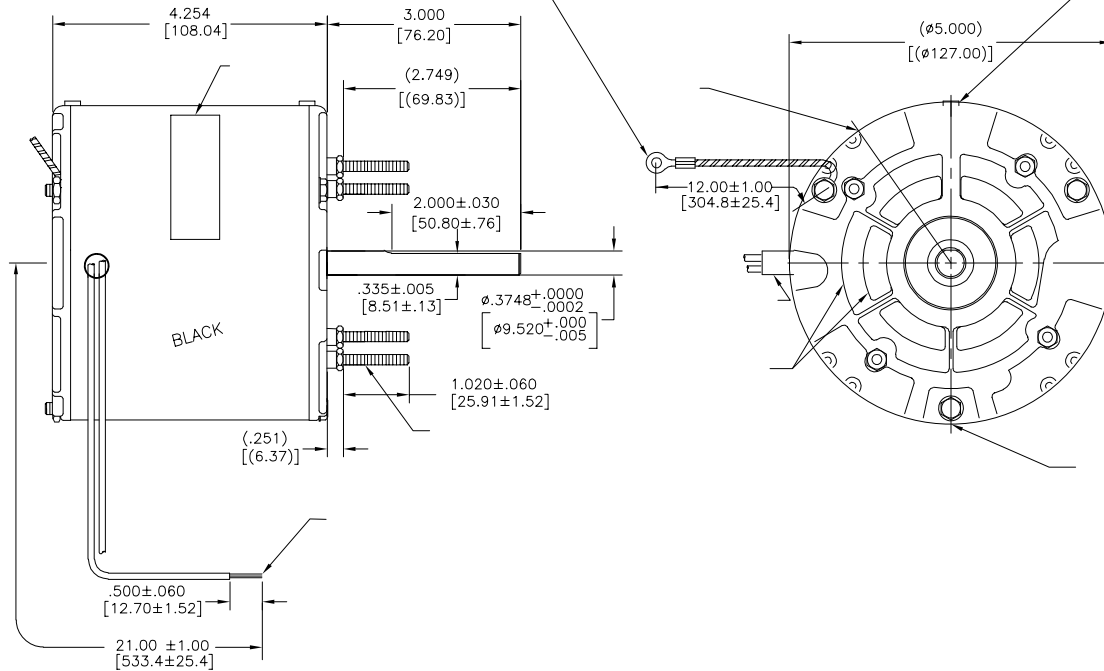
3

2

1

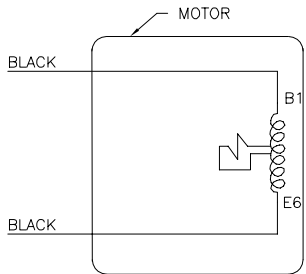
DA3G7205N"

REVISION:	ECO	REVISADO POR:	FECHA:	APROBADO POR:	FECHA:
G	0028999	A. ESCOBAR	10-16-2012	R. RASCON	10-16-2012





SCHEMATIC-283

ROT.: - CCWLE-CWSE



NAMEPLATE DATA:

 TIPP CITY, OHIO  
 THERMALLY PROTECTED   
 SER. DATE & PO# FLT LTR MOD DA3G205N\* STK NO. 978  
 VOLTS 115 HZ 60 AMPS 1.7  
 RPM 1050 SP PH CAP  
 INS CLB AMB 40C HP 1/20  
 BRG SLV

ASSEMBLED IN MEXICO

CARACTERISTICAS DE GEOMETRIA Y SIMBOLOS  
 ▽ PLANICIDAD  
 - RECTITUD  
 < ANGULARIDAD  
 ⊥ PERPENDICULARIDAD (A ESCUADRA)  
 // PARALELISMO  
 ○ REDONDEZ (CIRCULARIDAD)  
 ∅ CILINDRICIDAD  
 ⊖ PERFIL DE CUALQUIER SUPERFICIE  
 ⊖ PERFIL DE CUALQUIER LINEA  
 ≠ VARIACION  
 ⊕ POSICION REAL  
 ⊙ CONCENTRICIDAD  
 ⊖ SIMETRIA ASME Y14.5M 1994

REGAL-BELOIT CORPORATION (RBC)  
 PROVEE ASISTENCIA TECNICA A  
 NUESTROS CLIENTES EN VARIAS AREAS.  
 DESDE QUE RBC NO RECIBE TODOS  
 LOS DATOS EN RELACION AL USO Y A  
 LA APLICACION DEL MOTOR, LA  
 APLICACION ADECUADA DEL MOTOR  
 DEBE SER DETERMINADA POR EL  
 CLIENTE.

DIMENSIONES SIN TOLERANCIA SON DE REFERENCIA SOLAMENTE

DIBUJADO POR: TLB 02-06-1999  
 APROBADO POR: IDS  
 TERCER ANGULO DE PROYECCION  
 FECHA EDS: 11-11-2011  
 REV. FORMATO: H  
 CONFIDENCIAL: ESTE DIBUJO Y SU INFORMACION SON PROPIEDAD DE USO EXCLUSIVO Y CONFIDENCIAL DE REGAL-BELOIT CORPORATION. Y NO DEBERAN SER REVELADOS, DUPLICADOS, DISTRIBUIDOS O USARSE DE OTRA MANERA SIN EL CONSENTIMIENTO ESCRITO DE REGAL-BELOIT CORPORATION. -TODOS LOS DERECHOS RESERVADOS.

**REGAL** REGAL-BELOIT CORPORATION

DESCRIPCION: MODEL-RFHP-42FR OUTLINE

TAMAÑO: C NUMERO DE DIBUJO: DA3G7205

ESCALA: NONE HOJA: 1

4

3

2

1

4

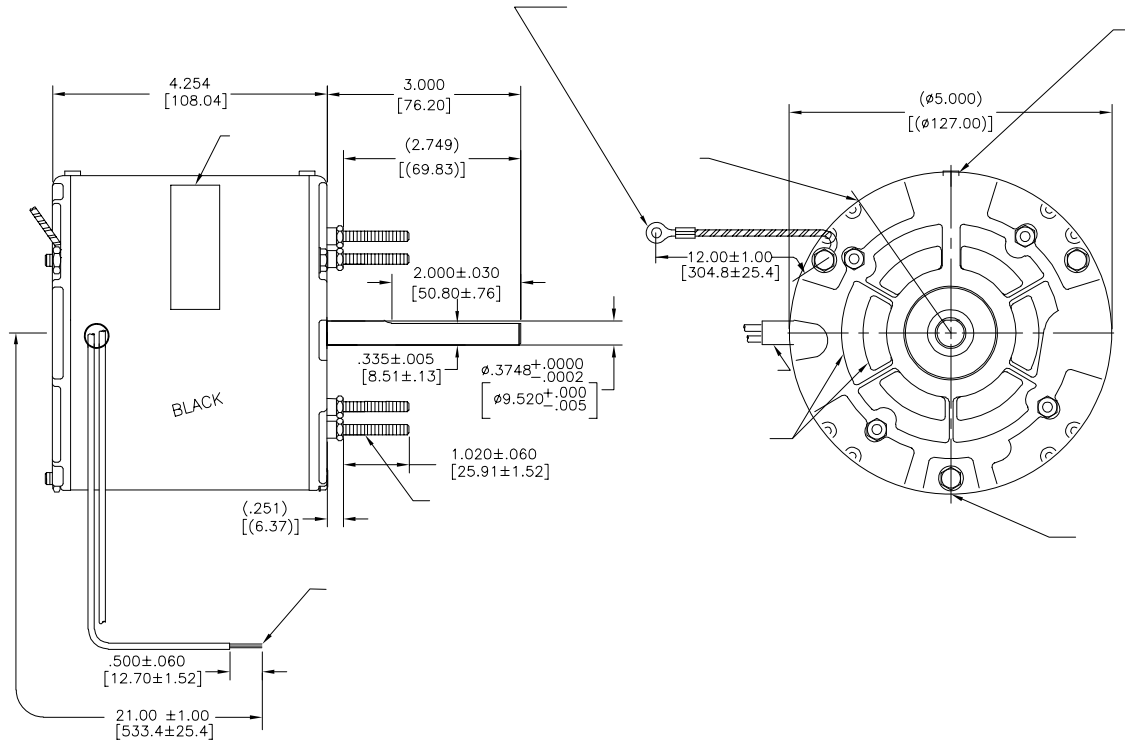
3

2

1

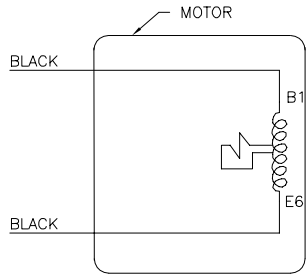
DA3G7205N"

版本	ECO	编制	日期	核准	日期
G	0028999	A. ESCOBAR	10-16-2012	R. RASCON	10-16-2012



SCHEMATIC-283

ROT.: - CCWLE-CWSE



NAMEPLATE DATA:

**Century** TIPP CITY, OHIO THERMALLY PROTECTED  
 SER. DATE & PO# PLT LTR MOD DA3G205N" STK NO. 978  
 VOLTS 115 HZ 60 AMPS 1.7  
 RPM 1050 SP PH CAP — ROT—  
 INS CLB AMB 40C HP 1/20  
 BRG SLV  
 ASSEMBLED IN MEXICO

- 形位公差
- 平面度
- 直线度
- ∠ 倾斜度
- ⊥ 垂直度
- ∥ 平行度
- 圆度
- ⊙ 圆柱度
- ⊘ 圆锥度
- ⊖ 线轮廓度
- ⊕ 圆跳动
- ⊙ 位置度
- ⊕ 对称度

ASME Y14.5M 1994

REGAL-BELOIT CORPORATION (RBC) 在个别领域为客户 提供技术支持。鉴于 RBC 未收到任何涉及电机使用和 应用环境的数据，电机的适用性 由客户自己决定。

未注公差尺寸仅供参考。

除图： TLB 02-06-1999  
 批准： TDS  
 第三角投影  
 图例格式发布日期 11-11-2011  
 图例格式版本 H  
 机密：本图纸及相关信息所有权归 REGAL-BELOIT CORPORATION 未经 REGAL-BELOIT CORPORATION 书面授权，不得泄露、 复制、传播或作其他用途。--版权所有

**REGAL** REGAL-BELOIT CORPORATION

MODEL-RFHP-42FR  
 OUTLINE

DA3G7205

名称	MODEL-RFHP-42FR OUTLINE	
图号	C	DA3G7205
图幅	C	图号
比例	NONE	页号 1

4

3

2

1