

PRODUCT INFORMATION PACKET



Model No: 9724

Catalog No: 9724

1/4-1/5-1/6 HP Condenser Fan Motor, 1625 RPM, 1 Speed, 208-230 Volts, 42 Frame, TEAO
Condenser Fans Motors



Regal and Century are trademarks of Regal Beloit Corporation or one of its affiliated companies.
©2020 Regal Beloit Corporation, All Rights Reserved. MC017097E

REGAL



Nameplate Specifications

Output HP	1/4, 1/5, 1/6 Hp	Output KW	0.19 kW
Frequency	60 Hz	Voltage	208-230 V
Current	1.6 A	Speed	1625 rpm
Service Factor	1	Phase	1
Duty	Air Over	Insulation Class	B
Frame	42	Enclosure	Totally Enclosed
Thermal Protection	Automatic	Ambient Temperature	60 °C
UL	Recognized	CSA	Y
CE	N		

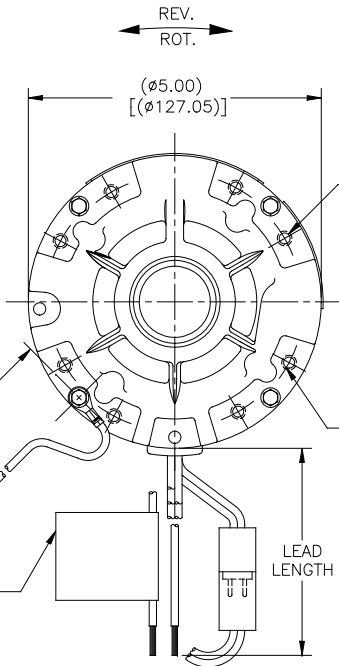
Technical Specifications

Electrical Type	Permanent Split Capacitor	Starting Method	Across The Line
Poles	4	Rotation	Reversible
Mounting	Extended Studs	Motor Orientation	Any
Drive End Bearing	Ball	Opp Drive End Bearing	Ball
Frame Material	Rolled Steel	Shaft Type	Flat
Overall Length	7.50 in	Frame Length	5.17 in
Shaft Diameter	0.500 in	Shaft Extension	3.0 in
Outline Drawing	DF2H7016-S01		

This is an uncontrolled document once printed or downloaded and is subject to change without notice. Date Created:10/09/2020

GENERAL INFORMATION:

SHAFT RUNOUT: .001 [.025] T.I.R. PER INCH LENGTH OF EXTENSION
 BEARINGS: BALL (L. E. PRELOAD)
 MOUNTING POSITION: ALL ANGLE



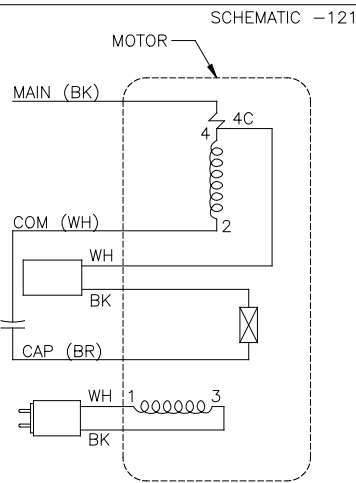
GROUND LEAD (TERMINAL AT MOTOR MUST NOT PROTRUDE BEYOND MOTOR O.D.)

ATTACH WARNING/CONNECTION LABEL TO COMMON (WHITE) LEAD APPROX. 2.0 [51] FROM MOTOR

ELECTRICAL DATA:

OVERLOAD PROTECTOR: AUTOMATIC RESET (T.I. 7AM 093)
 LEADS: NO. 18 GA., .06 [1.5] THK. XLP 125°C INSUL.
 REVERSING PLUGS: NO. 18 GA., .03 [.8] THK. XLP 125°C INSUL.
 GROUND LEAD: NO. 18 GA., .03 [.8] THK. (GREEN) INSUL.

MAIN FRAME - OLE	ENCLOSED
END FRAME - OLE	ENCLOSED
MAIN FRAME - LE	ENCLOSED
END FRAME - LE	ENCLOSED
ENCLOSURE	

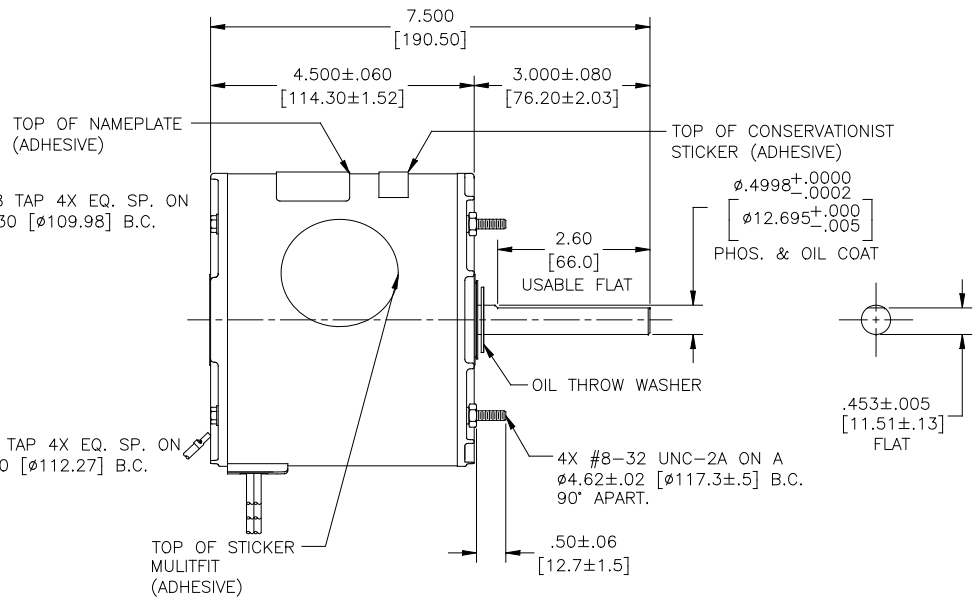


NAMEPLATE DATA:

Century Tipp City, OH
 THERMALLY PROTECTED

SER. DATE & PO# PLT LTR MOD DF2H016N' STK. NO. 9724
 VOLTS 208-230 HZ 60 AMPS 1.6
 RPM 1625 SP 1 PH 1 CAP 5 MFD/370 VAC
 INS CL B AMB 60°C HP CONT AO ← ROTATION →
 BRG BALL HP 1/4, 1/5, 1/6 ASSEMBLED IN MEXICO

PERFORMANCE CURVE NO.	TORQUE @ 1625 RPM (25°C)	APPROVED SAMPLE	UL COMPONENT FILE #	CCN #	CSA FILE #	CLASS #
C32781	17.6 OZ. FT.	0701933B	-	-	-	-

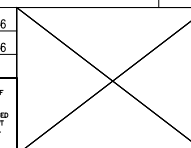


NOTE:
 4 SHOULDER STUDS 631585-062
 4 HEX NUTS 7555A19H01
 8 PLUGS PLU213
 1 INSTRUCTION SHEET 1010451 TO BE PUT IN A POLY BAG AND PACKED WITH EACH MOTOR.
 1 INSTRUCTION SHEET 619432-250 TO BE PACKED ALONG THE SIDE OF MOTOR, AND NOT UNDER THE BOTTOM LAYER OF POLYFILL.

COLOR	LENGTH	TERMINAL OR STRIP LENGTH
GREEN (GROUND)	11.0/13.0 [279/330]	#10 EYELET
BLACK/WHITE	3.0/5.0 [76/127]	REVERSING PLUGS
BROWN	36.0/39.0 [914/991]	.60 [15.2] SKIN
WHITE	36.0/39.0 [914/991]	.60 [15.2] SKIN
BLACK	36.0/39.0 [914/991]	.60 [15.2] SKIN

LEAD DATA

DRAWING REVISION BY: C	DATE: 10-27-2016
ECO-0111718	DATE: 10-27-2016
ECO DESCRIPTION: SEE ECO	



DRAWN BY: J.RUPERT	DATE: 11-12-2007	APPROVED BY: J.DOSEC	DATE: 11-12-2007
DESCRIPTION: MODEL-RFHP-42FR OUTLINE	MATERIAL:	PROCESS/FINISH:	
THIRD ANGLE PROJECTION	SIZE: C	DWG NO: DF2H7016	SHEET: 1