

PRODUCT INFORMATION PACKET



Model No: 9723F

Catalog No: 9723F

1/4-1/5-1/6 HP Condenser Fan Motor, 1075 RPM, 1 Speed, 208-230 Volts, 42 Frame, TEAO
Condenser Fans Motors



Regal and Century are trademarks of Regal Beloit Corporation or one of its affiliated companies.
©2020 Regal Beloit Corporation, All Rights Reserved. MC017097E





Nameplate Specifications

Output HP	1/4,1/5,1/6 Hp	Output KW	0.19 kW
Frequency	60 Hz	Voltage	208-230 V
Current	2.2 A	Speed	1075 rpm
Service Factor	1	Phase	1
Duty	Air Over	Insulation Class	F
Frame	42	Enclosure	Totally Enclosed
Thermal Protection	Automatic	Ambient Temperature	70 °C
UL	Recognized	CSA	Y
CE	N		

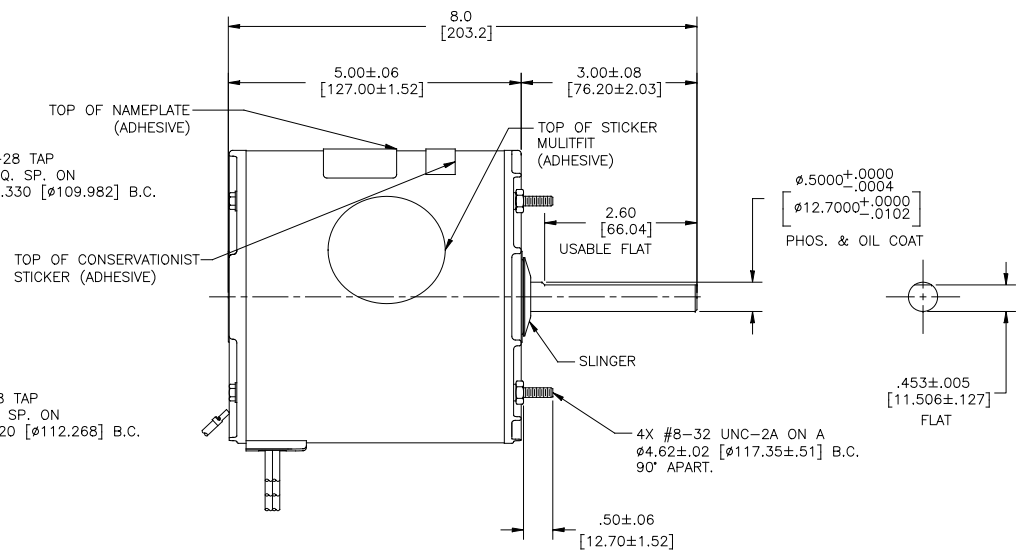
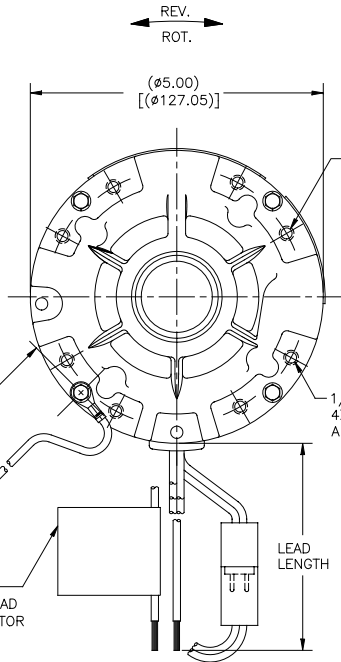
Technical Specifications

Electrical Type	Permanent Split Capacitor	Starting Method	Across The Line
Poles	6	Rotation	Reversible
Mounting	Extended Studs	Motor Orientation	Any
Drive End Bearing	Ball	Opp Drive End Bearing	Ball
Frame Material	Rolled Steel	Shaft Type	Flat
Overall Length	8.00 in	Frame Length	4.42 in
Shaft Diameter	0.500 in	Shaft Extension	3.0 in
Outline Drawing	9723F-S01		

This is an uncontrolled document once printed or downloaded and is subject to change without notice. Date Created:10/09/2020

GENERAL INFORMATION:

SHAFT RUNOUT: .001 [.025] T.I.R. PER INCH LENGTH OF EXTENSION
 BEARINGS: BALL (L. E. PRELOAD)
 MOUNTING POSITION: ALL ANGLE

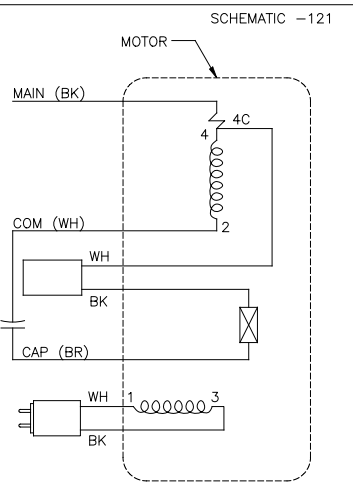


ELECTRICAL DATA:

OVERLOAD PROTECTOR: AUTOMATIC RESET (T.I. 7AM 093)
 LEADS: NO. 18 GA., .06 [1.52] THK. XLP 125°C INSUL.
 REVERSING PLUGS: NO. 18 GA., .03 [.76] THK. XLP 125°C INSUL.
 GROUND LEAD: NO. 18 GA., .03 [.76] THK. (GREEN) INSUL.

MAIN FRAME - OLE	ENCLOSED
END FRAME - OLE	ENCLOSED
MAIN FRAME - LE	ENCLOSED
END FRAME - LE	ENCLOSED

NOTE:
 4 SHOULDER STUDS 631585-062
 4 HEX NUTS 7555A19H01
 8 PLUGS PLU213
 1 INSTRUCTION SHEET 1010451 TO BE PUT IN A POLY BAG AND PACKED WITH EACH MOTOR.
 1 INSTRUCTION SHEET 619432-250 TO BE PACKED ALONG THE SIDE OF MOTOR, AND NOT UNDER THE BOTTOM LAYER OF POLYFILL.



NAMEPLATE DATA:

Century TIPP CITY, OHIO THERMALLY PROTECTED

SER. DATE & PO# PLT LTRMOD DF3K002N' STK. NO. 9723F
 VOLTS 208-230 HZ 60 AMPS 2.2
 RPM 1075 SP 1 PH CAP 7.5 MFD/370 VAC
 INS CL F AMB 70°C HP CONT AO ROTATION
 BRG BALL HP 1/4, 1/5, 1/6 ASSEMBLED IN MEXICO

PERFORMANCE CURVE NO.	TORQUE @1075 RPM (25°C)	APPROVED SAMPLE	UL COMPONENT	CSA		
			FILE #	CCN #	FILE #	CLASS #
C32600	29.2 OZ. FT.	0501876B	-	-	-	-

COLOR	LENGTH	TERMINAL OR STRIP LENGTH
GREEN (GROUND)	11.0/13.0 [279.4/330.2]	#10 EYELET
BLACK/WHITE	3.0/5.0 [76.2/127.0]	REVERSING PLUGS
BROWN	36.0/39.0 [914.4/990.6]	.60 [15.24] SKIN
WHITE	36.0/39.0 [914.4/990.6]	.60 [15.24] SKIN
BLACK	36.0/39.0 [914.4/990.6]	.60 [15.24] SKIN

DRAWING REVISION/REVISION BY A B.J.I	DATE 09-14-2016	TOLERANCES UNLESS OTHERWISE SPECIFIED DEC. INCH mm ANGLE X ±.01 [±2.5] ±0.5° XX ±.06 [±1.52] XXX ±0.005 [±0.127] XXXX ±0.0005 [±0.0127]	DRAWN BY: B.J.I	DATE: 09-14-2016	DESCRIPTION MODEL-RFHP-42FR OUTLINE
ECO-0108076 APPROVED BY C.ZHOU	DATE 09-14-2016	REMOVE BURRS & BREAK SHARP EDGES .003/015 [076/381] CORNER FILLETS .02 [51] MACHINED SURFACES .03 [762] MACHINED SURFACES .03 [762] MACHINED SURFACES .03 [762]	APPROVED BY: C.ZHOU	DATE: 09-14-2016	MATERIAL
NEW RELEASE		COPYRIGHT REGAL BELTO AMERICA, INC. ALL RIGHTS RESERVED. PROPRIETARY AND CONFIDENTIAL INFORMATION - THIS DOCUMENT IS THE PROPERTY OF REGAL BELTO AMERICA, INC. (OWNER) AND CONTAINS OWNER'S PROPRIETARY INFORMATION. ANY REPRODUCTION OR OTHER USE WITHOUT THE WRITTEN PERMISSION OF REGAL BELTO AMERICA, INC. IS STRICTLY PROHIBITED. BY RECEIVING IT, YOU AGREE THAT IT, AND/OR ANY PART OF IT, SHALL NOT BE DISCLOSED TO ANY PERSON, CORPORATION OR OTHER ENTITY, SUPPLIER, AND/OR USER, WITHOUT THE EXPRESS WRITTEN APPROVAL OF REGAL BELTO AMERICA, INC. THIS DOCUMENT SHALL BE RETURNED TO OWNER UPON REQUEST. IT MAY BE SUBJECT TO CERTAIN RESTRICTIONS UNDER APPLICABLE EXPORT CONTROL LAWS AND REGULATIONS.	REFERENCE	THIRD ANGLE PROJECTION	PROCESS/FINISH
			SIZE DWG NO C 9723F		SHEET 1