

PRODUCT INFORMATION PACKET



Model No: 9722F

Catalog No: 9722F

1/8-1/10-1/12 HP Condenser Fan Motor, 1075 RPM, 1 Speed, 208-230 Volts, 42 Frame, TEAO
Condenser Fans Motors



Regal and Century are trademarks of Regal Beloit Corporation or one of its affiliated companies.
©2020 Regal Beloit Corporation, All Rights Reserved. MC017097E





Nameplate Specifications

Output HP	1/8, 1/10, 1/12 Hp	Output KW	0.10 kW
Frequency	60 Hz	Voltage	208-230 V
Current	0.75 A	Speed	1075 rpm
Service Factor	1	Phase	1
Duty	Air Over	Insulation Class	F
Frame	42	Enclosure	Totally Enclosed
Thermal Protection	Automatic	Ambient Temperature	70 °C
UL	Recognized	CSA	Y
CE	N		

Technical Specifications

Electrical Type	Permanent Split Capacitor	Starting Method	Across The Line
Poles	6	Rotation	Reversible
Mounting	Extended Studs	Motor Orientation	Any
Drive End Bearing	Ball	Opp Drive End Bearing	Ball
Frame Material	Rolled Steel	Shaft Type	Flat
Overall Length	7.00 in	Frame Length	4.00 in
Shaft Diameter	0.500 in	Shaft Extension	3.0 in
Outline Drawing	DF3G037-S01		

This is an uncontrolled document once printed or downloaded and is subject to change without notice. Date Created:10/09/2020

GENERAL INFORMATION:

SHAFT RUNOUT: .001 [.025] T.I.R. PER INCH LENGTH OF EXTENSION

BEARINGS: BALL (L.E. PRELOAD)

MOUNTING POSITION: ALL ANGLE

ELECTRICAL DATA:

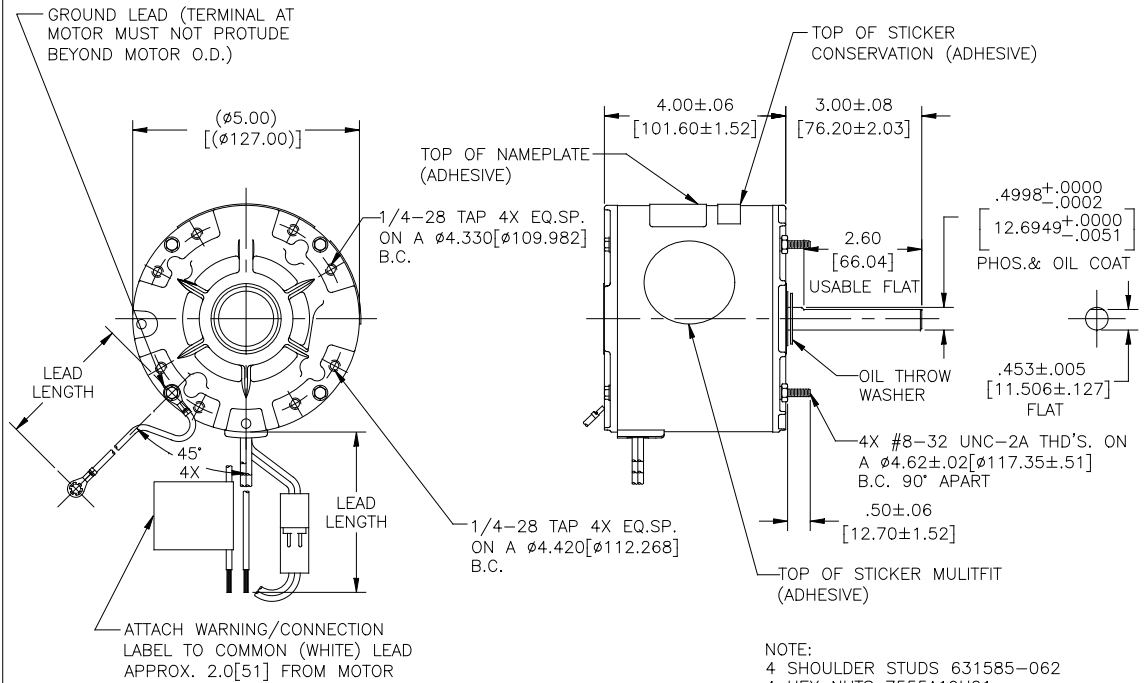
OVERLOAD PROTECTOR: AUTOMATIC RESET (T.I. 7AM 093)

LEADS: NO. 18 GA., .06 [1.52] THK. XLP 125°C INSUL.

REVERSING PLUGS: NO. 18 GA., .03 [.76] THK. XLP 125°C INSUL.

GROUND LEAD: NO. 18 GA., .03 [.76] THK. (GREEN) INSUL.

REV. ROT.



REGAL-BELOIT CORPORATION (RBC) PROVIDES TECHNICAL ASSISTANCE TO OUR CUSTOMERS IN SEVERAL AREAS. SINCE RBC DOES NOT RECEIVE ALL DATA CONCERNING THE USE AND APPLICATION OF THE MOTOR, THE SUITABILITY OF THE MOTOR FOR THE APPLICATION MUST BE DETERMINED BY THE CUSTOMER.

DIMENSIONS WITHOUT TOLERANCES ARE FOR REFERENCE ONLY.

MAIN FRAME - OLE	ENCLOSED
END FRAME - OLE	ENCLOSED
MAIN FRAME - LE	ENCLOSED
END FRAME - LE	ENCLOSED
ENCLOSURE	

NAMEPLATE DATA:

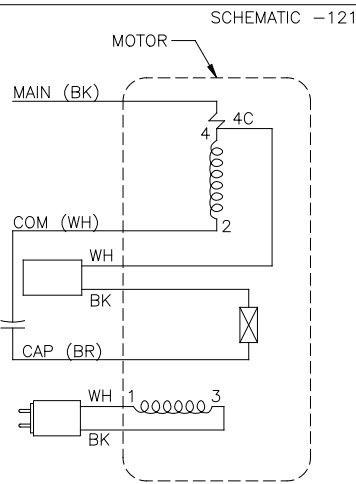
Century TIPP CITY, OHIO THERMALLY PROTECTED

SER. DATE & P0# PLT LIR MOD DF3G037N' STK. NO. 9722F
 VOLTS 208-230 HZ 60 AMPS 0.75
 RPM 1075 SP 1 PH 1 CAP 5 MFD/370 VAC
 INS CL F AMB 70°C HP CONT AO ← ROTATION →
 BRG BALL HP 1/8, 1/10, 1/12 ASSEMBLED IN MEXICO

PERFORMANCE CURVE NO.	TORQUE @ 1075 RPM (25°C)	APPROVED SAMPLE	UL COMPONENT		CSA	
			FILE #	CCN #	FILE #	CLASS #
C32563	13.1 OZ. FT.	0603274A	E46412	PRGY2	LR43341	4211-01

NOTE:
 4 SHOULDER STUDS 631585-062
 4 HEX NUTS 7555A19H01
 8 PLUGS PLU213
 1 INSTRUCTION SHEET 1010451
 TO BE PUT IN A POLY BAG AND PACKED WITH EACH MOTOR
 1 INSTRUCTION SHEET 619432-250
 TO BE PACKED ALONG THE SIDE OF MOTOR, AND NOT UNDER THE BOTTOM LAYER OF POLYFILL.

COLOR	LENGTH	TERMINAL OR STRIP LENGTH
GREEN (GROUND)	11/13 [279/330]	#10 EYELET
BLACK/WHITE	3/5 [76/127]	REVERSING PLUGS
BROWN	36/39 [914/991]	.60 [15.24] SKIN
WHITE	36/39 [914/991]	.60 [15.24] SKIN
BLACK	36/39 [914/991]	.60 [15.24] SKIN
COLOR	LENGTH	TERMINAL OR STRIP LENGTH



DRAWING REVISION BY: C	REVISION BY: B.J.I.	DATE: 10-27-2016
ECO-0111718	APPROVED BY: G.ZIWAO	DATE: 10-27-2016
ECO DESCRIPTION: SEE ECO		

COPYRIGHT REGAL-BELOIT AMERICA, INC. ALL RIGHTS RESERVED. PROPRIETARY AND CONFIDENTIAL INFORMATION - THIS DOCUMENT IS THE PROPERTY OF REGAL-BELOIT AMERICA, INC. (OWNER) AND CONTAINS OWNER'S PROPRIETARY INFORMATION. ANY PERSON, CORPORATION OR OTHER FIRM RECEIVING IT IS DEMAND, BY RECEIVING IT, TO AGREE THAT IT, AND/OR ANY PART OF IT, SHALL NOT BE DISCLOSED TO ANY PERSON, CORPORATION OR OTHER ENTITY, SUPPLIER, AND/OR USER WITHOUT AS EXPRESSLY APPROVED IN WRITING BY OWNER. THIS DOCUMENT SHALL BE RETURNED TO OWNER UPON REQUEST. IT MAY BE SUBJECT TO CERTAIN RESTRICTIONS UNDER APPLICABLE EXPORT CONTROL LAWS AND REGULATIONS.

DRAWN BY: J.ZHU	DATE: 10-12-2015	APPROVED BY: J.ZHU	DATE: 10-12-2015	REFERENCE: DF3G7034	THIRD ANGLE PROJECTION
REGAL-BELOIT America, Inc.		MODEL-RFHP-42FR		OUTLINE	PROCESS/FINISH
MATERIAL		SIZE DWG NO		DF3G037	SHEET 1