

# PRODUCT INFORMATION PACKET



Model No: 9722  
Catalog No: 9722  
1/8-1/10-1/12 HP Condenser Fan Motor, 1075 RPM, 1 Speed, 208-230 Volts, 42 Frame, TEAO  
Condenser Fans Motors



Regal and Century are trademarks of Regal Beloit Corporation or one of its affiliated companies.  
©2020 Regal Beloit Corporation, All Rights Reserved. MC017097E

REGAL



**Nameplate Specifications**

Output HP	<b>1/8, 1/10, 1/12 Hp</b>	Output KW	<b>0.10 kW</b>
Frequency	<b>60 Hz</b>	Voltage	<b>208-230 V</b>
Current	<b>0.9 A</b>	Speed	<b>1075 rpm</b>
Service Factor	<b>1</b>	Phase	<b>1</b>
Duty	<b>Air Over</b>	Insulation Class	<b>B</b>
Frame	<b>42</b>	Enclosure	<b>Totally Enclosed</b>
Thermal Protection	<b>Automatic</b>	Ambient Temperature	<b>60 °C</b>
UL	<b>Recognized</b>	CSA	<b>Y</b>
CE	<b>N</b>		

**Technical Specifications**

Electrical Type	<b>Permanent Split Capacitor</b>	Starting Method	<b>Across The Line</b>
Poles	<b>6</b>	Rotation	<b>Reversible</b>
Mounting	<b>Extended Studs</b>	Motor Orientation	<b>Any</b>
Drive End Bearing	<b>Ball</b>	Opp Drive End Bearing	<b>Ball</b>
Frame Material	<b>Rolled Steel</b>	Shaft Type	<b>Flat</b>
Overall Length	<b>7.50 in</b>	Frame Length	<b>5.17 in</b>
Shaft Diameter	<b>0.500 in</b>	Shaft Extension	<b>3.0 in</b>
Outline Drawing	<b>DF3G7034-S01</b>		

This is an uncontrolled document once printed or downloaded and is subject to change without notice. Date Created:10/09/2020

GENERAL INFORMATION:

SHAFT RUNOUT: .001 [.03] T.I.R. PER INCH LENGTH OF EXTENSION

BEARINGS: BALL (L.E. PRELOAD)

MOUNTING POSITION: ALL ANGLE

ELECTRICAL DATA:

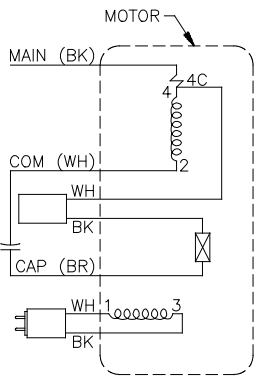
OVERLOAD PROTECTOR: AUTOMATIC RESET (T.I. 7AM 093)

LEADS: NO. 18 GA., .06 [1.5] THK. XLP 125°C INSUL.

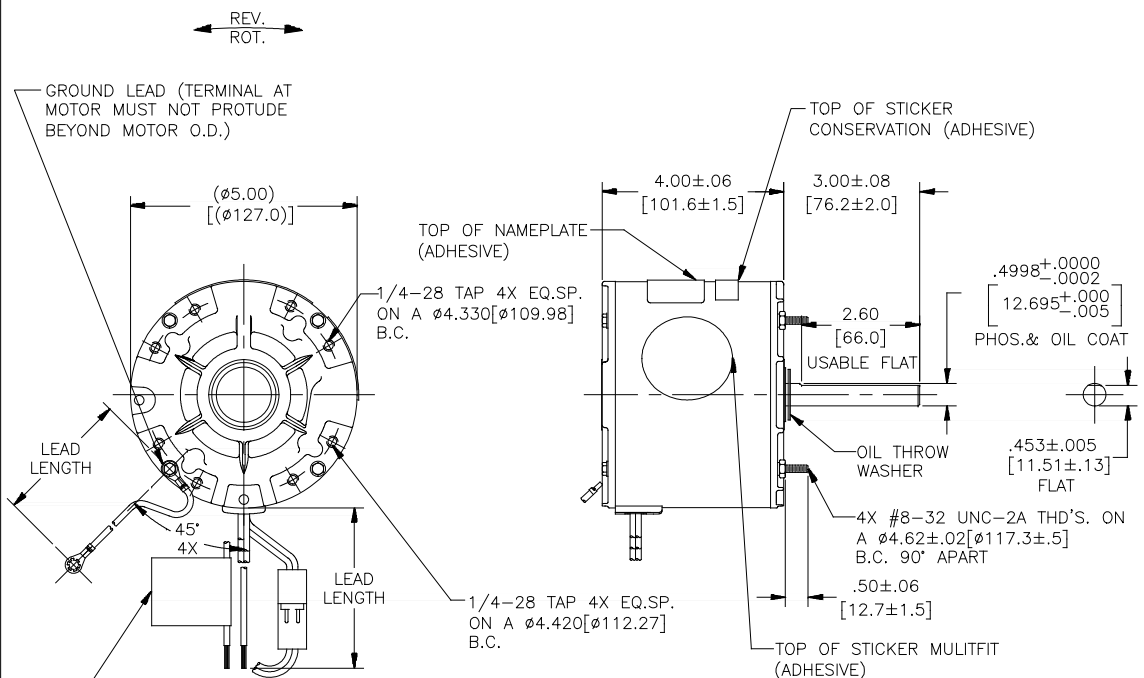
REVERSING PLUGS: NO. 18 GA., .03 [.8] THK. XLP 125°C INSUL.

GROUND LEAD: NO. 18 GA., .03 [.8] THK. (GREEN) INSUL.

EXTERNAL CONNECTION DIAGRAM



Century THERMALLY PROTECTED  
 SER. 038196M MOD. DF3G034N STK.NO. 9722  
 VOLTS:208-230 HZ: 60 AMPS: 0.9  
 RPM:1075 SP:1 PH:1 CAP 5MFD / 370VAC  
 INS CL B AMB:60°C CONT AO ← ROT →  
 BRG BALL HP: 1/8, 1/10, 1/12 ASSEMBLED IN MEXICO



NOTE:  
 4 SHOULDER STUDS 631585-062  
 4 HEX NUTS 7555A19H01  
 8 PLUGS PLU213  
 1 INSTRUCTION SHEET 1010451 TO BE PUT IN A POLY BAG AND PACKED WITH EACH MOTOR  
 1 INSTRUCTION SHEET 619432-250 TO BE PACKED ALONG THE SIDE OF MOTOR, AND NOT UNDER THE BOTTOM LAYER OF POLYFILL.

REGAL-BELOIT CORPORATION (RBC) PROVIDES TECHNICAL ASSISTANCE TO OUR CUSTOMERS IN SEVERAL AREAS. SINCE RBC DOES NOT RECEIVE ALL DATA CONCERNING THE USE AND APPLICATION OF THE MOTOR, THE SUITABILITY OF THE MOTOR FOR THE APPLICATION MUST BE DETERMINED BY THE CUSTOMER.

DIMENSIONS WITHOUT TOLERANCES ARE FOR REFERENCE ONLY.

MAIN FRAME - OLE	ENCLOSED
END FRAME - OLE	ENCLOSED
MAIN FRAME - LE	ENCLOSED
END FRAME - LE	ENCLOSED

CUSTOMER	-
----------	---

GREEN (GROUND)	11.0/13.0 [279/330]	#10 EYELET
BLACK/WHITE	3.0/5.0 [76/127]	REVERSING PLUGS
BROWN	36.0/39.0 [914/991]	.60[15.2] SKIN
WHITE	36.0/39.0 [914/991]	.60[15.2] SKIN
BLACK	36.0/39.0 [914/991]	.60[15.2] SKIN
COLOR	LENGTH	TERMINAL OR STRIP LENGTH

LEAD DATA

DRAWING REVISION/REVISION BY	DATE
K T.REYES	05-31-2019
ECO	DATE
ECO-0168140	
ECO DESCRIPTION	
SEE ECO	

COPYRIGHT REGAL-BELOIT AMERICA, INC. ALL RIGHTS RESERVED. PROPRIETARY AND CONFIDENTIAL INFORMATION - THIS DOCUMENT IS THE PROPERTY OF REGAL-BELOIT AMERICA, INC. (OWNER) AND CONTAINS OWNER'S PROPRIETARY INFORMATION. ANY REPRODUCTION, COPIING OR OTHER USE WITHOUT THE WRITTEN PERMISSION OF REGAL-BELOIT AMERICA, INC. IS STRICTLY PROHIBITED. BY RECEIVING IT, YOU AGREE THAT IT, AND/OR ANY PART OF IT, SHALL NOT BE DISCLOSED TO ANY PERSON, CORPORATION OR OTHER ENTITY, EMPLOYEE, AND/OR USER WITHOUT AS EXPRESSLY APPROVED IN WRITING BY OWNER. THIS DOCUMENT SHALL BE RETURNED TO OWNER UPON REQUEST. IT MAY BE SUBJECT TO CERTAIN RESTRICTIONS UNDER APPLICABLE EXPORT CONTROL LAWS AND REGULATIONS.

DRAWN BY:	J.RUPERT
DATE:	05-11-2006
APPROVED BY:	T.RILEY
DATE:	05-11-2006
REFERENCE:	
THIRD ANGLE PROJECTION	
DESCRIPTION:	MODEL-RFHP-42FR OUTLINE
MATERIAL:	
PROCESS/FINISH:	
SIZE DWG NO:	DF3G7034
SHEET:	1

SCHMATIC-121					
PERFORMANCE CURVE NO.	TORQUE @ 1075 RPM (25°C)	APPROVED SAMPLE	UL COMPONENT	CSA	
C32563	13.1 OZ. FT.	0603274A	E46412 PRGY2	LR43341	4211-01