

PRODUCT INFORMATION PACKET



Model No: 9608
Catalog No: 9608
1/20-1/75-1/120 HP Fan & Blower Motor, 1100 RPM, 3 Speed, 115 Volts, 42 Frame, OAO
Direct Drive Motors



Regal and Century are trademarks of Regal Beloit Corporation or one of its affiliated companies.
©2020 Regal Beloit Corporation, All Rights Reserved. MC017097E





Nameplate Specifications

Output HP	1/20, 1/75, 1/120 Hp	Output KW	0.04 kW
Frequency	60 Hz	Voltage	115 V
Current	.60 A	Speed	1100 rpm
Service Factor	1	Phase	1
Duty	Continuous Air Over	Insulation Class	B
Frame	42	Enclosure	Open Air Over
Thermal Protection	Thermally Protected	Ambient Temperature	40 °C
UL	Recognized	CSA	Y
CE	N		

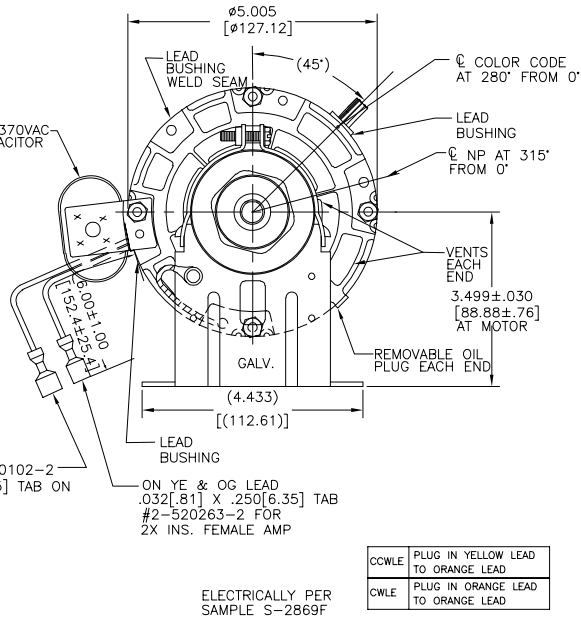
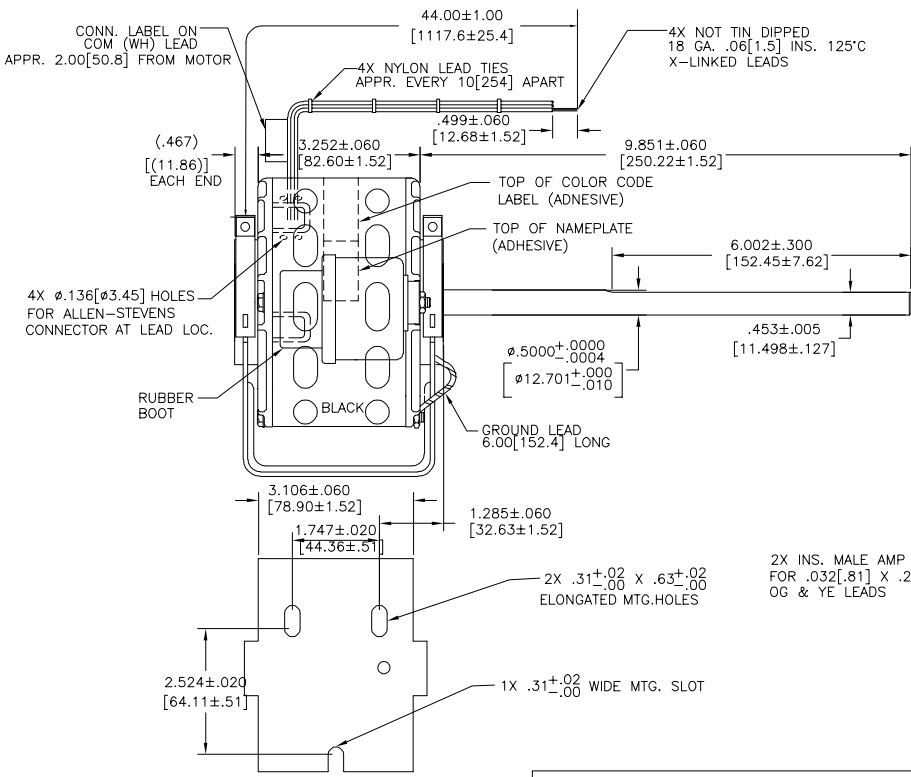
Technical Specifications

Electrical Type	Permanent Split Capacitor	Starting Method	Across The Line
Poles	6	Rotation	Reversible
Mounting	Resilient Base	Motor Orientation	Horizontal
Drive End Bearing	Sleeve	Opp Drive End Bearing	Sleeve
Frame Material	Rolled Steel	Shaft Type	Flat
Overall Length	13.56 in	Frame Length	2.67 in
Shaft Diameter	0.500 in	Shaft Extension	9 7/8 in
Outline Drawing	9608-S01		

This is an uncontrolled document once printed or downloaded and is subject to change without notice. Date Created:10/09/2020

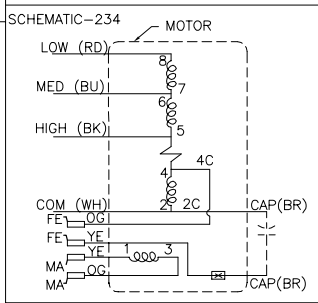
CUSTOMER IS SOLELY RESPONSIBLE FOR MOTOR PERFORMANCE AND SUITABILITY IN APPLICATIONS FOR CUSTOMER'S USES.

ENDPLAY .005[.13] MIN - .040[1.02] MAX
MAXIMUM SHAFT RUNOUT .001[.03] PER INCH
MAXIMUM RUN OUT NOT TO EXCEED .010[2.54]



CCWLE	PLUG IN YELLOW LEAD TO ORANGE LEAD
CWLE	PLUG IN ORANGE LEAD TO ORANGE LEAD

ELECTRICALLY PER SAMPLE S-2869F



ROT.: -REVERSIBLE

Century Tipp City, OH THERMALLY PROTECTED
SER. DATE & PO# PLT LTR MOD DE3D462N1 STK NO. 9608
VOLTS 115 HZ 60 AMPS
RPM 1100 SP 3 PH 1 CAP 5MFD 370VAC
INS CLB AMB 40°C HP CONT AO ---REV---
BRG SLV ASSEMBLED IN MEXICO

63T7452-18
COLOR CODE LABEL
BK-HI .60A 1/20HP
BU-MED .30A 1/75HP
RD-LO .23A 1/120HP
WH-COM BR & BR CAP

CONN LABEL
63T7433-206

REGAL-BELOIT CORPORATION (RBC) PROVIDES TECHNICAL ASSISTANCE TO OUR CUSTOMERS IN SEVERAL AREAS. SINCE RBC DOES NOT RECEIVE ALL DATA CONCERNING THE USE AND APPLICATION OF THE MOTOR, THE SUITABILITY OF THE MOTOR FOR THE APPLICATION MUST BE DETERMINED BY THE CUSTOMER.
DIMENSIONS WITHOUT TOLERANCES ARE FOR REFERENCE ONLY.

DRAWING REVISION	REVISION BY	DATE
C	G.ZHAO	12-16-2014
	APPROVED BY	DATE
0067414	C.ZHANG	12-16-2014
EOD DESCRIPTION: CORRECTED FROM 48 FRAME TO 42 FRAME		
<small>REGAL-BELOIT CORPORATION (RBC) PROVIDES TECHNICAL ASSISTANCE TO OUR CUSTOMERS IN SEVERAL AREAS. SINCE RBC DOES NOT RECEIVE ALL DATA CONCERNING THE USE AND APPLICATION OF THE MOTOR, THE SUITABILITY OF THE MOTOR FOR THE APPLICATION MUST BE DETERMINED BY THE CUSTOMER. DIMENSIONS WITHOUT TOLERANCES ARE FOR REFERENCE ONLY.</small>		

DRAWN BY:	AS
DATE:	06-22-2011
APPROVED BY:	BS
DATE:	06-22-2011
REFERENCE:	
THIRD ANGLE PROJECTION	
DESCRIPTION:	Regal Beloit America, Inc. MODEL-RFHP-42FR OUTLINE
MATERIAL:	
PROCESS/FINISH:	
SIZE TOW NO	9608
SHEET	1