

PRODUCT INFORMATION PACKET



Model No: 9605A
Catalog No: 9605A
3/4-1/2-1/3 HP Fan & Blower Motor, 1075 RPM, 3 Speed, 277 Volts, 48 Frame, OAO
Direct Drive Motors



Regal and Century are trademarks of Regal Beloit Corporation or one of its affiliated companies.
©2020 Regal Beloit Corporation, All Rights Reserved. MC017097E

The REGAL logo consists of the word 'REGAL' in a bold, white, sans-serif font, set against a dark grey, trapezoidal background.



Nameplate Specifications

Output HP	3/4,1/2,1/3 Hp	Output KW	0.56 kW
Frequency	60 Hz	Voltage	277 V
Current	3.9,2.2,1.6 A	Speed	1075 rpm
Service Factor	1	Phase	1
Duty	Air Over	Insulation Class	B
Frame	F48Y	Enclosure	Open Enclosed
Thermal Protection	Automatic	Ambient Temperature	40 °C
UL	Recognized	CSA	Y
CE	N		

Technical Specifications

Electrical Type	Permanent Split Capacitor	Starting Method	Across The Line
Poles	6	Rotation	Reversible
Mounting	Resilient Rings	Motor Orientation	Any
Drive End Bearing	Sleeve	Opp Drive End Bearing	Sleeve
Frame Material	Rolled Steel	Shaft Type	Flat
Overall Length	11.49 in	Frame Length	4.88 in
Shaft Diameter	0.500 in	Shaft Extension	5.50 in
Connection Drawing	614131-351	Outline Drawing	9605A-S01

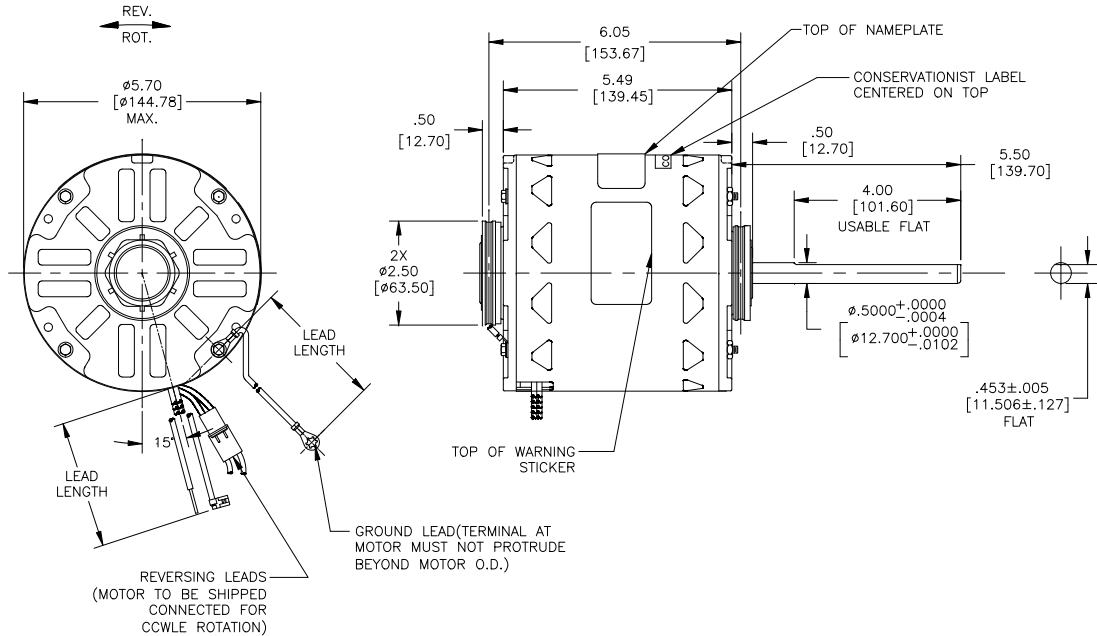
This is an uncontrolled document once printed or downloaded and is subject to change without notice. Date Created:10/09/2020

GENERAL INFORMATION:

SHAFT RUNOUT: .001 [.025] T.I.R. PER INCH LENGTH OF EXTENSION
 END PLAY: .010 [.254] TO .063[1.600]
 BEARINGS: SLEEVE
 MOUNTING POSITION: ALL ANGLE

ELECTRICAL DATA:

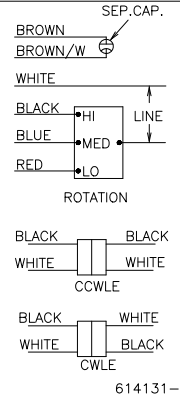
OVERLOAD PROTECTOR: AUTOMATIC RESET (T.I. 7AM 034)
 LEADS: NO. 18 GA., .03 [.76] THK. 125°C INSUL.
 REVERSING LEADS: NO. 18 GA., .03 [.76] THK. 125°C INSUL.
 GROUND LEADS: NO. 18 GA., .03 [.76] THK. (GREEN/YELLOW) INSUL.



NAMEPLATE DATA:

MODEL NO.: F48Y75A01
 CUST. P/N: 9605A
 HP: 3/4, 1/2, 1/3
 ROT.: REVERSIBLE
 RPM: 1075/3 SPD
 TYPE: UF
 FRAME: 48Y
 VOLTS: 277
 PH: 1
 AMPS: 3.9, 2.2, 1.6
 HZ: 60
 INS.: B
 AMB.: 40°C
 DUTY: AIR OVER
 CAP.: 20MFD/370V
 ENCL: OPEN
 UL LOGO
 CSA LOGO
 THERMALLY PROTECTED

EXTERNAL CONNECTION DIAGRAM



614131-351

GRN/YEL(GRD)	14/16 [356/406]	#10 EYELET
BLACK/WHITE	3/5 [76/127]	REVERSING PLUG(MALE)
BLACK/WHITE	3/5 [76/127]	REVERSING PLUG(FEMALE)
BROWN	35/37 [889/940]	.25[6.35] FLAG
BROWN/WHITE	35/37 [889/940]	.25[6.35] FLAG
RED	35/37 [889/940]	.50[12.70] SKIN
BLUE	35/37 [889/940]	.50[12.70] SKIN
BLACK	35/37 [889/940]	.50[12.70] SKIN
WHITE	35/37 [889/940]	.50[12.70] SKIN
COLOR	LENGTH	TERMINAL OR STRIP LENGTH

REGAL-BELOIT CORPORATION (RBC) PROVIDES TECHNICAL ASSISTANCE TO OUR CUSTOMERS IN SEVERAL AREAS. SINCE RBC DOES NOT RECEIVE ALL DATA CONCERNING THE USE AND APPLICATION OF THE MOTOR, THE SUITABILITY OF THE MOTOR FOR THE APPLICATION MUST BE DETERMINED BY THE CUSTOMER.

DIMENSIONS WITHOUT TOLERANCES ARE FOR REFERENCE ONLY.

MAIN FRAME - OLE	OPEN
END FRAME - OLE	OPEN
MAIN FRAME - LE	OPEN
END FRAME - LE	OPEN

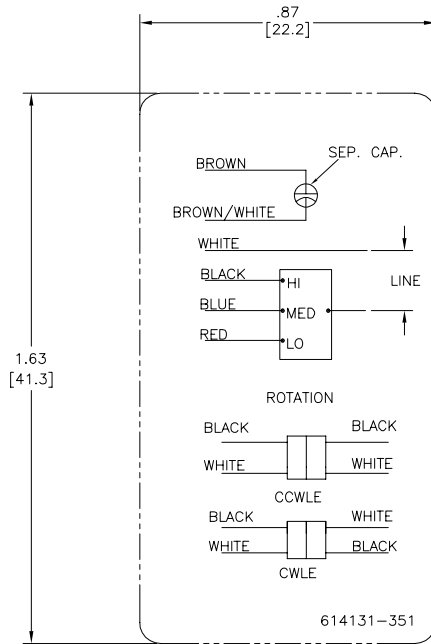
CUSTOMER	DISTRIBUTION SERVICES
----------	-----------------------

PERFORMANCE CURVE NO.	TORQUE @ 1075 RPM (25°C)	APPROVED SAMPLE	UL COMPONENT	CSA
C32659A	80.0 OZ. FT.	0603133A	E46412 PRGY2	LR43341 4211-01

LEAD DATA		
DRAWING REVISION BY	DATE	
B GELINE.ZHAO	05-02-2017	
ECO	DATE	
ECO-0122825	05-02-2017	
ECO DESCRIPTION	APPROVED BY	
SEE ECO	DEXIAN.LI	
<small>COPYRIGHT REGAL-BELOIT AMERICA, INC. ALL RIGHTS RESERVED. PROPRIETARY AND CONFIDENTIAL INFORMATION - THIS DOCUMENT IS THE PROPERTY OF REGAL-BELOIT AMERICA, INC. (OWNER) AND CONTAINS OWNER'S PROPRIETARY INFORMATION. ANY REPRODUCTION, COPIATION OR OTHER USE WITHOUT THE WRITTEN PERMISSION OF REGAL-BELOIT AMERICA, INC. IS STRICTLY PROHIBITED. BY RECEIVING IT, TO AGREE THAT IT, AND/OR ANY PART OF IT, SHALL NOT BE DISCLOSED TO ANY PERSON, CORPORATION OR OTHER ENTITY, PARTNER, SUPPLIER, AND/OR USER, EXCEPT AS EXPRESSLY APPROVED IN WRITING BY OWNER. THE DOCUMENT SHALL BE RETURNED TO OWNER UPON REQUEST. IT MAY BE SUBJECT TO CERTAIN RESTRICTIONS UNDER APPLICABLE EXPORT CONTROL LAWS AND REGULATIONS.</small>		

DRAWN BY:	B.J.I	DATE:	09-26-2016	DESCRIPTION:	MODEL-RFHP-48FR OUTLINE
APPROVED BY:	C.ZHOU	DATE:	09-26-2016	MATERIAL:	
REFERENCE:		THIRD ANGLE PROJECTION:		SIZE:	DWG NO: 9605A
				PROCESS/FINISH:	SHEET 1

REV	ECO	REV BY	DATE	APPD	DATE
C	0027023	N.HONG	06-24-2012	B.SHEN	06-24-2012



NOTES:

1. FOR USE WITH 614129 OR 2513020-001 NAMEPLATE BLANKS;
2. ——— INDICATES DIMENSION LIMITS

GEOMETRIC CHARACTERISTICS & SYMBOLS	UNLESS OTHERWISE SPECIFIED DIM. TOLERANCES ARE AS FOLLOWS:
□ FLATNESS	INCH X XX XXX XXXX
— STRAIGHTNESS	mm ±0.1 ±.02 ±.005 ±.0005
∠ ANGULARITY	mm ±0.5 ±0.13 ±0.013
⊥ PERPENDICULARITY (SQUARENESS)	ANG. ±.50 DEG
∥ PARALLELISM	REMOVE BURRS & BREAK SHARP EDGES:
○ ROUNDNESS (CIRCULARITY)	INCH .003-.015 mm 0.1-0.4
⊘ CYLINDRICITY	CORNER FILLETS TO:
⌒ PROFILE OF ANY SURFACE	INCH .020 mm 0.5
⌒ PROFILE OF ANY LINE	MACHINE SURFACES:
⌒ RUNOUT	INCH 125 mm 3.2
⊕ TRUE POSITION	METRIC DIMS. SHOWN IN [BRACKETS]
⊙ CONCENTRICITY	
⊖ SYMMETRY	

DR BY: YL	04-08-2011
APPD: CZ	04-08-2011
THIRD ANGLE PROJECTION	EDS DATE 11-11-2011 FORMAT REV H
CONFIDENTIAL: THIS DRAWING AND ITS INFORMATION ARE THE EXCLUSIVE AND CONFIDENTIAL PROPERTY OF REGAL-BELOIT CORPORATION AND ARE NOT TO BE DISCLOSED, DUPLICATED, DISTRIBUTED OR OTHERWISE USED WITHOUT THE WRITTEN CONSENT OF REGAL-BELOIT CORPORATION. -ALL RIGHTS RESERVED.	

REGAL-BELOIT CORPORATION	
DESCRIPTION CONN DIAGRAM-NAMEPLATE	
SIZE C	DWG NO 614131-351
SCALE NONE	SHEET 1

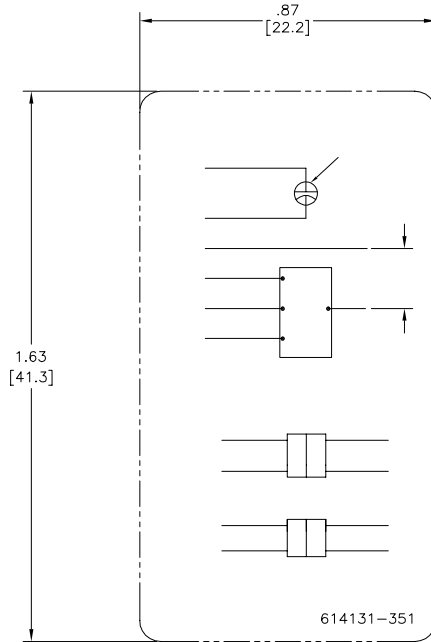
4

3

2

1

REVISION:	ECO	REVISADO POR:	FECHA:	APROBADO POR:	FECHA:
C	0027023	N.HONG	06-24-2012	B.SHEN	06-24-2012



CARACTERISTICAS DE GEOMETRIA Y SIMBOLOS: ▽ PLANICIDAD — RECTITUD ∠ ANGULARIDAD ⊥ PERPENDICULARIDAD (A ESQUADRA) // PARALELISMO ○ REDONDEZ (CIRCULARIDAD) ⌀ CILINDRICIDAD ⌒ PERFIL DE CUALQUIER SUPERFICIE ↗ VARIACION ⊕ POSICION REAL ⊙ CONCENRICIDAD = SIMETRIA	A MENOS QUE SE ESPECIFIQUE DE OTRA MANERA, LAS TOLERANCIAS DE LAS DIMS. SON LAS SIGUIENTES: PULG ±.1 ±.02 ±.005 ±.0005 mm ±0.5 ±0.13 ±0.013 ANG. ±50 GRADOS ELIMINAR REBABAS Y ORILLAS FILOSAS DEL BORDE. FILETEAR ESQUINA: PULG .020 mm 0.5 MAQUINAR SUPERFICIES PULG 125 mm 3.2 DIMS METRICAS MOSTRADAS [PARENTESIS]	DIBUJADO POR: YL	04-08-2011	REGAL-BELOIT CORPORATION
		APROBADO POR: CZ	04-08-2011	
		TERCER ANGULO DE PROYECCION		FECHA EDS: 11-11-2011 REV. FORMATO: H
		CONFIDENCIAL: ESTE DIBUJO Y SU INFORMACION SON PROPIEDAD DE USO EXCLUSIVO Y CONFIDENCIAL DE REGAL-BELOIT CORPORATION. Y NO DEBERAN SER REVELADOS, DUPLICADOS, DISTRIBUIDOS O USARSE DE OTRA MANERA SIN EL CONSENTIMIENTO ESCRITO DE REGAL-BELOIT CORPORATION. -TODOS LOS DERECHOS RESERVADOS.		TAMANO: C NUMERO DE DIBUJO: 614131-351
		ESCALA: NONE		HOJA: 1

4

3

2

1

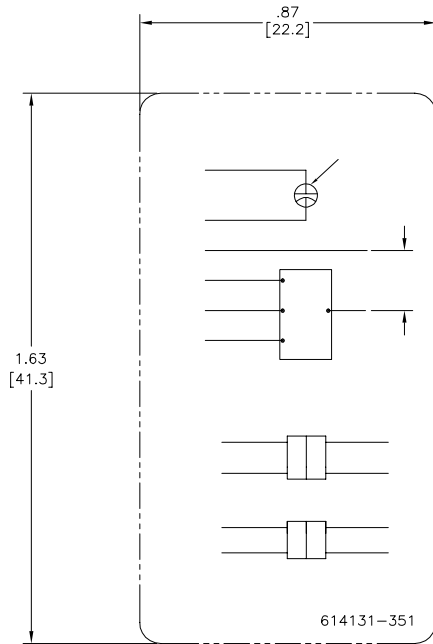
4

3

2

1

版本	ECO	编制	日期	批准	日期
C	0027023	N.HONG	06-24-2012	B.SHEN	06-24-2012



形位公差
□ 平面度
— 直线度
∠ 倾斜度
⊥ 垂直度
// 平行度
○ 圆度
⊙ 圆跳动
⌒ 面轮廓度
⌒ 线轮廓度
⊕ 圆跳动
⊕ 位置度
⊕ 同轴度
⊕ 对称度

除另有注明
尺寸公差如下:

英寸	X	XX	XXX	XXXX
毫米	±.1	±.02	±.005	±.0005
英寸	±0.5	±0.13	±0.013	

角度 ±.50 度
清理毛刺和尖棱
英寸 .003-.015 毫米 0.1-0.4
内圆角
英寸 .020 毫米 0.5
表面粗糙度
英制 125 米制 3.2
米制尺寸显示在 []

绘图:	YL	04-08-2011
批准:	CZ	04-08-2011
第三角投影		图纸格式发布日期 11-11-2011 图纸格式版本 H
机密: 本图纸及相关信息所有权归REGAL-BELOIT CORPORATION 未经REGAL-BELOIT CORPORATION书面授权, 不得泄露、 复制、传播或作其他用途。--版权所有		

REGAL-BELOIT CORPORATION	
名称	CONN DIAGRAM-NAMEPLATE
图幅	C
图号	614131-351
比例	NONE
页号	1

4

3

2

1