

PRODUCT INFORMATION PACKET



Model No: 955

Catalog No: 955

1/6-1/12-1/20 HP OEM Replacement Motor, 1500 RPM, 3 Speed, 115 Volts, 42 Frame, OAO
HVAC/R OEM Replacement Motors



Regal and Century are trademarks of Regal Beloit Corporation or one of its affiliated companies.
©2020 Regal Beloit Corporation, All Rights Reserved. MC017097E

The REGAL logo is a grey, trapezoidal shape with the word 'REGAL' in white, bold, uppercase letters inside. It is positioned on a blue background with a halftone dot pattern that tapers to the right.

REGAL



Nameplate Specifications

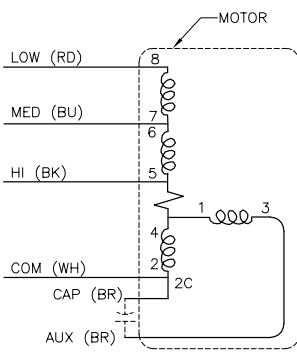
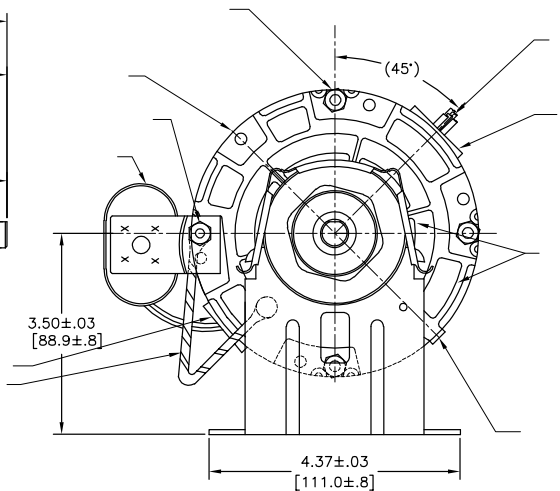
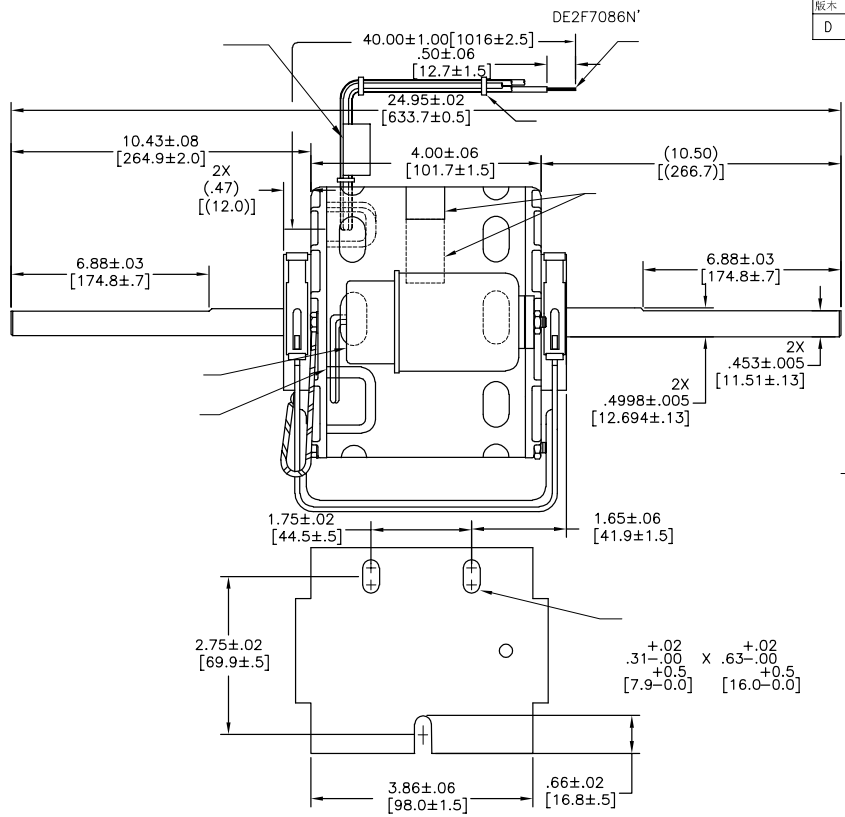
Output HP	1/6-1/12-1/20 Hp	Output KW	0.13 kW
Frequency	60 Hz	Voltage	115 V
Current	2.0-1.1-.68 A	Speed	1500 rpm
Service Factor	1	Phase	1
Duty	Continuous Air Over	Insulation Class	B
Frame	42Y	Enclosure	Open Air Over
Thermal Protection	Automatic	Ambient Temperature	40 °C
UL	Recognized	CSA	Y
CE	N		

Technical Specifications

Electrical Type	Permanent Split Capacitor	Starting Method	Across The Line
Poles	4	Rotation	Clockwise Lead End
Mounting	Resilient Base	Motor Orientation	Horizontal
Drive End Bearing	Sleeve	Opp Drive End Bearing	Sleeve
Frame Material	Rolled Steel	Shaft Type	Flat
Overall Length	24.88 in	Frame Length	3.42 in
Shaft Diameter	0.500 in	Shaft Extension	10.5 in
Outline Drawing	955-S01		

This is an uncontrolled document once printed or downloaded and is subject to change without notice. Date Created:10/09/2020

版本	ECO	编制	日期	核准	日期
D	0034811	P.ROJAS	06-16-2013	S.JIMENEZ	06-26-2013



ROT.: - CWLW-CCWSE

Century Tipp City, OH **UL**
THERMALLY PROTECTED

SER. DATE & P0# PLT LTR MOD DE2F086N' STK NO. 955
VOLTS 115 HZ 60 AMPS
RPM1500 SP PH CAP 6MFD 370VAC
INS CLB AMB 40C HP CONT - ROT -
BRG SLV #20 NON-DET OIL EVERY 6 MO.
ASSEMBLED IN MEXICO

COLOR CODE LABEL:
63T7452-3
BK HI 2.0A 1/6HP
BU MED 1.1A 1/12HP
RD LO .68A 1/20HP
WH COM
CONN. LABEL
63T7433-226

- 形位公差
- 平面度
- 圆度
- ∠ 倾斜度
- ⊥ 垂直度
- ∥ 平行度
- ⊙ 圆孔度
- ⊙ 圆锥度
- ⊙ 圆跳动
- ⊙ 位置度
- ⊙ 同轴度
- ⊙ 对称度

ASME Y14.5M 1994

REGAL-BELOIT CORPORATION (RBC) 在个别领域为客户提供技术支持。鉴于RBC未收到任何涉及电机使用和应用环境的数据，电机的适用性由客户自己决定。

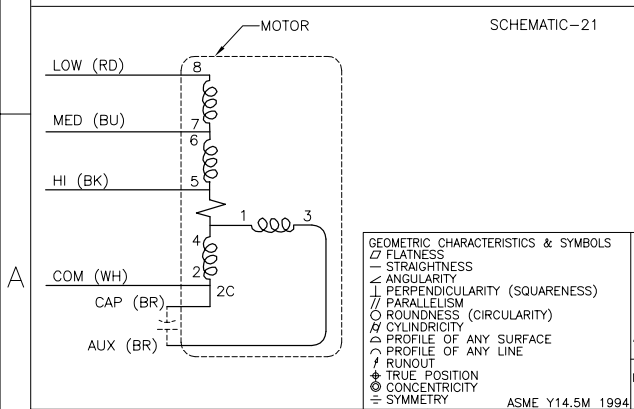
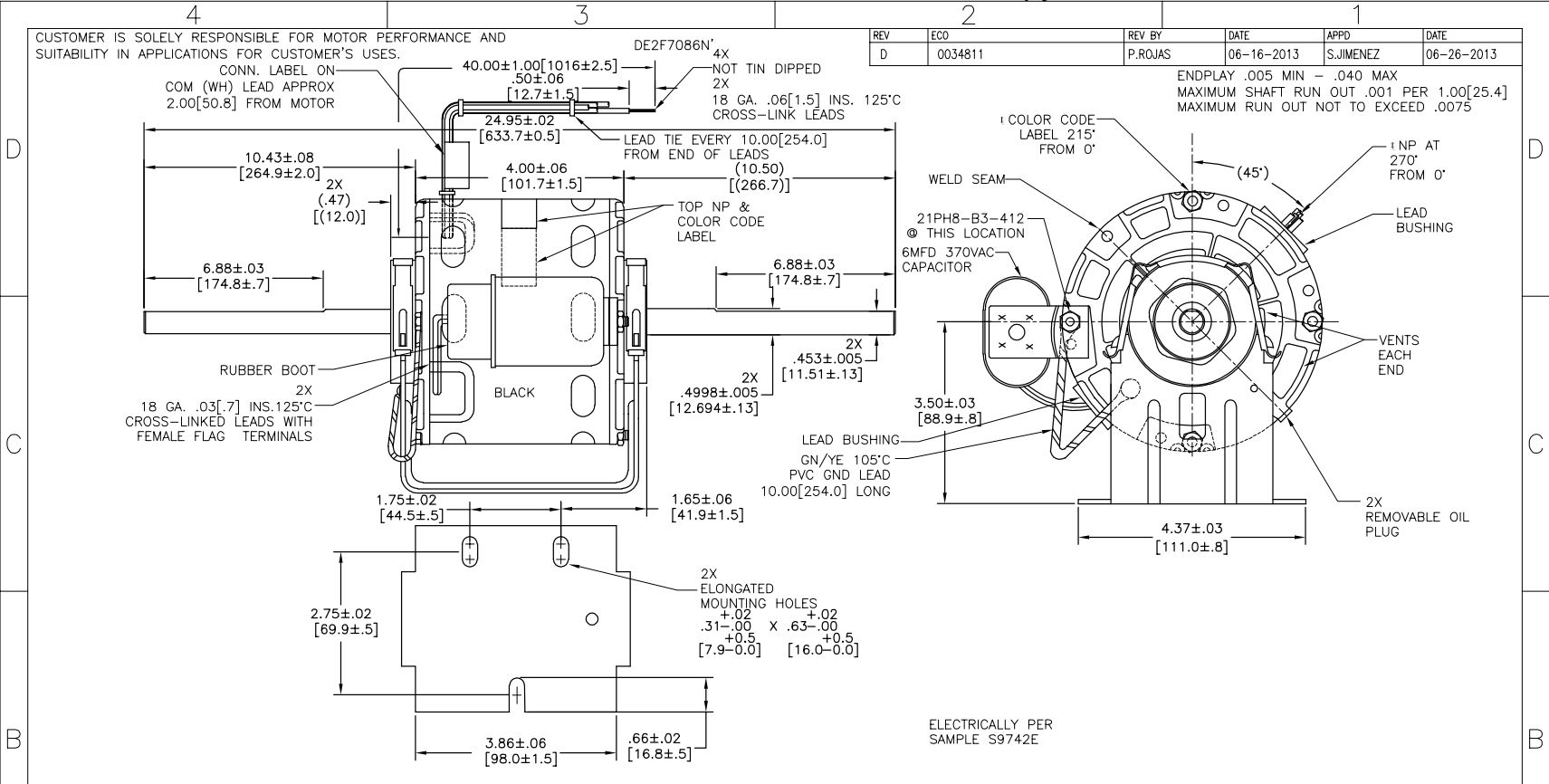
未注公差尺寸仅供参考。

除图: TLB
批准: TLK
第二角投影
图框格式发布日期 11-11-2011
图框格式版本 H
机密: 本图纸及相关信息所有权归REGAL-BELOIT CORPORATION。未经REGAL-BELOIT CORPORATION书面授权, 不得泄露、复制或传播作其他用途。--版权所有

REGAL REGAL-BELOIT CORPORATION

MODEL-RFHP-42FR OUTLINE

名称	MODEL-RFHP-42FR OUTLINE	
图号	955	
图幅	C	图号
比例	NONE	页号
		1



NAMEPLATE DATA:

Century Tipp City, OH **UL** THERMALLY PROTECTED

SER. DATE & P0# PLT LTR MOD DE2F086N' STK NO. 955

VOLTS 115 HZ 60 AMPS

RPM 1500 SP PH CAP 6MFD 370VAC

INS CLB AMB 40C HP CONT → ROT ←

BRG SLV #20 NON-DET OIL EVERY 6 MO.

ASSEMBLED IN MEXICO

COLOR CODE LABEL:

63T7452-3

BK HI 2.0A 1/6HP

BU MED 1.1A 1/12HP

RD LO .68A 1/20HP

WH COM

CONN. LABEL 63T7433-226

GEOMETRIC CHARACTERISTICS & SYMBOLS

- FLATNESS
- STRAIGHTNESS
- ANGULARITY
- PERPENDICULARITY (SQUARENESS)
- PARALLELISM
- ROUNDNESS (CIRCULARITY)
- CYLINDRICITY
- PROFILE OF ANY SURFACE
- PROFILE OF ANY LINE
- RUNOUT
- TRUE POSITION
- CONCENTRICITY
- SYMMETRY

ASME Y14.5M 1994

REGAL-BELOIT CORPORATION (RBC) PROVIDES TECHNICAL ASSISTANCE TO OUR CUSTOMERS IN SEVERAL AREAS. SINCE RBC DOES NOT RECEIVE ALL DATA CONCERNING THE USE AND APPLICATION OF THE MOTOR, THE SUITABILITY OF THE MOTOR FOR THE APPLICATION MUST BE DETERMINED BY THE CUSTOMER.

DIMENSIONS WITHOUT TOLERANCES ARE FOR REFERENCE ONLY.

DR BY: TLB

APPD: TLK

THIRD ANGLE PROJECTION

EDS DATE: 11-11-2011

FORMAT REV: H

CONFIDENTIAL: THIS DRAWING AND ITS INFORMATION ARE THE EXCLUSIVE AND CONFIDENTIAL PROPERTY OF REGAL-BELOIT CORPORATION AND ARE NOT TO BE DISCLOSED, DUPLICATED, DISTRIBUTED OR OTHERWISE USED WITHOUT THE WRITTEN CONSENT OF REGAL-BELOIT CORPORATION. ALL RIGHTS RESERVED.

REGAL-BELOIT CORPORATION

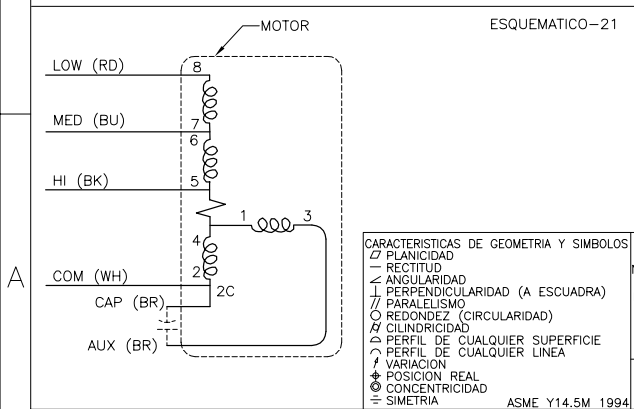
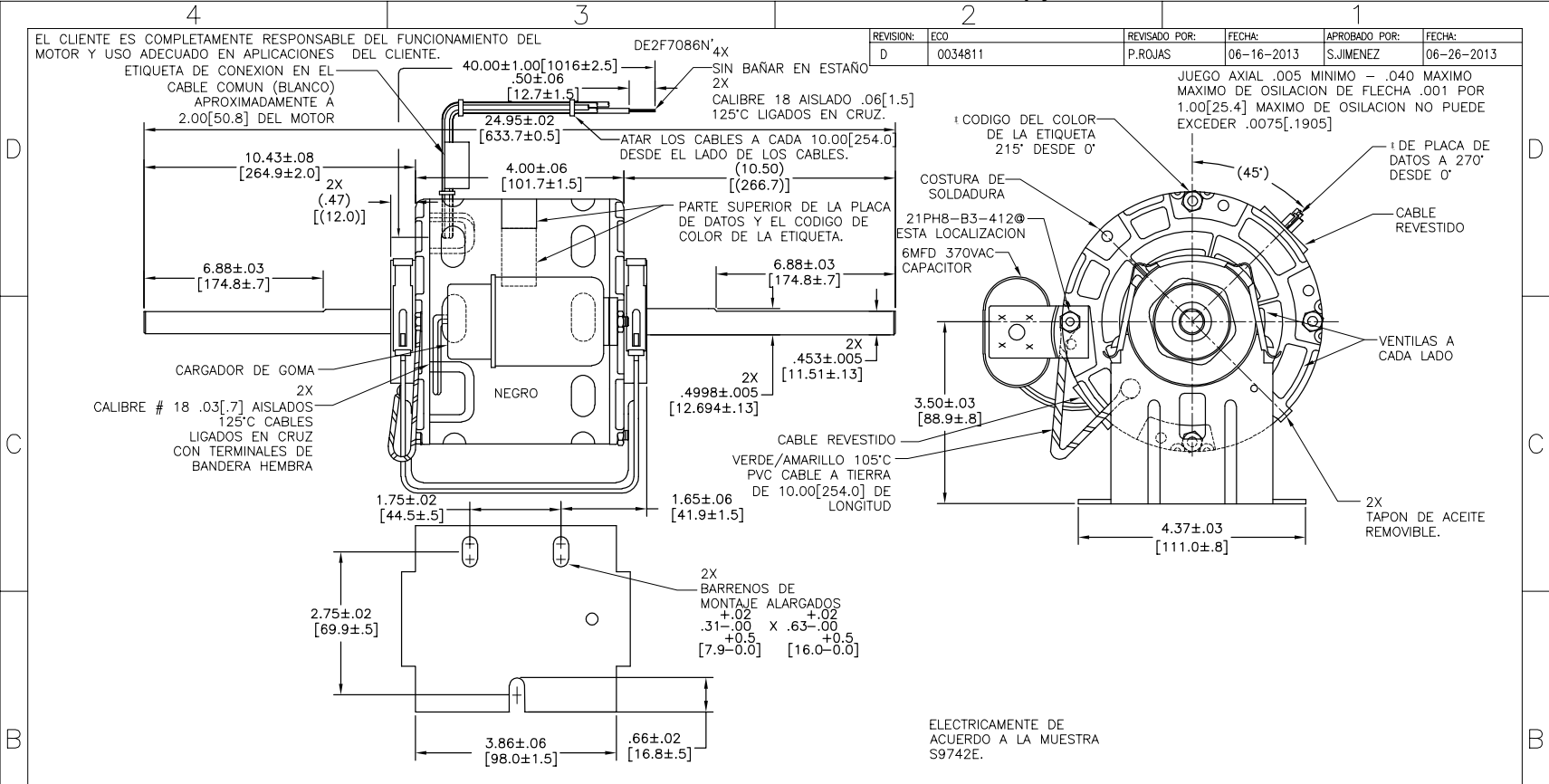
DESCRIPTION: MODEL-RFHP-42FR OUTLINE

SIZE: C

DWG NO: 955

SCALE: NONE

SHEET: 1



<p>PLACA DE DATOS:</p> <p>Century Tipp City, OH </p> <p>THERMALLY PROTECTED</p> <p>SER. DATE & P0# PLT LTR MOD DE2F086N¹ STK NO. 955</p> <p>VOLTS 115 HZ 60 AMPS</p> <p>RPM1500 SP PH CAP 6MFD 370VAC</p> <p>INS CLB AMB 40C HP CONT ROT</p> <p>BRG SLV #20 NON-DET OIL EVERY 6 MO.</p> <p>ASSEMBLED IN MEXICO</p>		<p>COLOR CODE LABEL:</p> <p>63T7452-3</p> <p>BK HI 2.0A 1/6HP</p> <p>BU MED 1.1A 1/12HP</p> <p>RD LO .68A 1/20HP</p> <p>WH COM</p> <p>CONN. LABEL</p> <p>63T7433-226</p>	
<p>CARACTERISTICAS DE GEOMETRIA Y SIMBOLOS</p> <p>□ PLANICIDAD</p> <p>— RECTITUD</p> <p>∠ ANGULARIDAD</p> <p>⊥ PERPENDICULARIDAD (A ESQUADRA)</p> <p>// PARALELISMO</p> <p>○ REDONDEZ (CIRCULARIDAD)</p> <p>∅ CILINDRICIDAD</p> <p>⊖ PERFIL DE CUALQUIER SUPERFICIE</p> <p>⊖ PERFIL DE CUALQUIER LINEA</p> <p>∠ VARIACION</p> <p>⊕ POSICION REAL</p> <p>⊙ CONCENTRICIDAD</p> <p>≡ SIMETRIA</p> <p>ASME Y14.5M 1994</p>	<p>REGAL-BELOIT CORPORATION (RBC) PROVEE ASISTENCIA TECNICA A NUESTROS CLIENTES EN VARIAS AREAS. DESDE QUE RBC NO RECIBE TODOS LOS DATOS EN RELACION AL USO Y A LA APLICACION DEL MOTOR, LA APLICACION ADECUADA DEL MOTOR DEBE SER DETERMINADA POR EL CLIENTE.</p> <p>DIMENSIONES SIN TOLERANCIA SON DE REFERENCIA SOLAMENTE</p>	<p>DIBUJADO POR: TLB</p> <p>APROBADO POR: TLK</p> <p>TERCER ANGULO DE PROYECCION</p> <p>FECHA EDS: 11-11-2011</p> <p>REV. FORMATO: H</p> <p>CONFIDENCIAL: ESTE DIBUJO Y SU INFORMACION SON PROPIEDAD DE USO EXCLUSIVO Y CONFIDENCIAL DE REGAL-BELOIT CORPORATION, Y NO DEBERAN SER REVELADOS, DUPLICADOS, DISTRIBUIDOS O USARSE DE OTRA MANERA SIN EL CONSENTIMIENTO ESCRITO DE REGAL-BELOIT CORPORATION. -TODOS LOS DERECHOS RESERVADOS.</p>	<p>REGAL REGAL-BELOIT CORPORATION</p> <p>DESCRIPCION: MODEL-RFHP-42FR OUTLINE</p> <p>TAMAÑO: C NUMERO DE DIBUJO: 955</p> <p>ESCALA: NONE</p> <p>HOJA: 1</p>