

PRODUCT INFORMATION PACKET

FASCO®

Model No: D929
Catalog No: D929
3/4 HP Condenser Fan Motor, 1075 RPM, 208/230 Volts, 48 Frame, Semi Enclosed
Condenser Fans Motors



Regal and Fasco are trademarks of Regal Beloit Corporation or one of its affiliated companies.
©2019 Regal Beloit Corporation, All Rights Reserved. MC017097E

REGAL



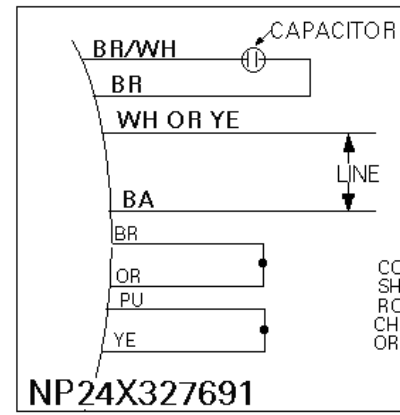
Nameplate Specifications

Output HP	3/4 Hp	Output KW	0.56 kW
Frequency	60 Hz	Voltage	208/230 V
Current	4.94 A	Speed	1075 rpm
Service Factor	1	Phase	1
Duty	Continuous	Insulation Class	B
Frame	48	Enclosure	Open Air Over
Thermal Protection	Thermally Protected	Ambient Temperature	60 °C
UL	Recognized	CSA	Y
CE	N		

Technical Specifications

Electrical Type	Permanent Split Capacitor	Poles	6
Rotation	Reversible	Mounting	Resilient Rings
Motor Orientation	Any	Drive End Bearing	Ball
Opp Drive End Bearing	Ball	Frame Material	Rolled Steel
Shaft Type	Double Flat	Overall Length	12.14 in
Frame Length	4.82 in	Shaft Diameter	0.500 in
Shaft Extension	5.75 in	Thru-bolts Extension	1.5 in

This is an uncontrolled document once printed or downloaded and is subject to change without notice. Date Created:29/10/2019



FILE:	DPC #
-------	-------