

PRODUCT INFORMATION PACKET



Model No: 89

Catalog No: 89

/10-1/20-1/30-1/40-1/70 HP Fan Coil / Room Air Conditioner Motor, 1050 RPM, 5 Speed, 115 Volts, 42 Frame, OAO
Fan Coil / Room Air Conditioner Motors



Regal and Century are trademarks of Regal Beloit Corporation or one of its affiliated companies.
©2020 Regal Beloit Corporation, All Rights Reserved. MC017097E

The REGAL logo is a grey rectangular box with the word 'REGAL' in white, italicized, uppercase letters. It is positioned on a blue and black halftone background that tapers to the right.

REGAL



Nameplate Specifications

Output HP	1/10-1/20-1/30-1/40-1/70 Hp	Output KW	0.07 kW
Frequency	50 Hz	Voltage	115 V
Current	3.2 A	Speed	1050 rpm
Service Factor	1	Phase	1
Duty	Continuous Air Over	Insulation Class	A
Frame	42Y	Enclosure	Open Air Over
Thermal Protection	Automatic	Ambient Temperature	40 °C
UL	Recognized	CSA	Y
CE	N		

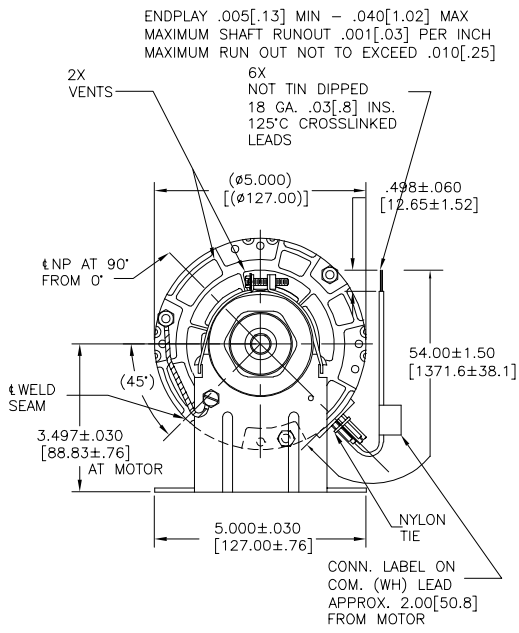
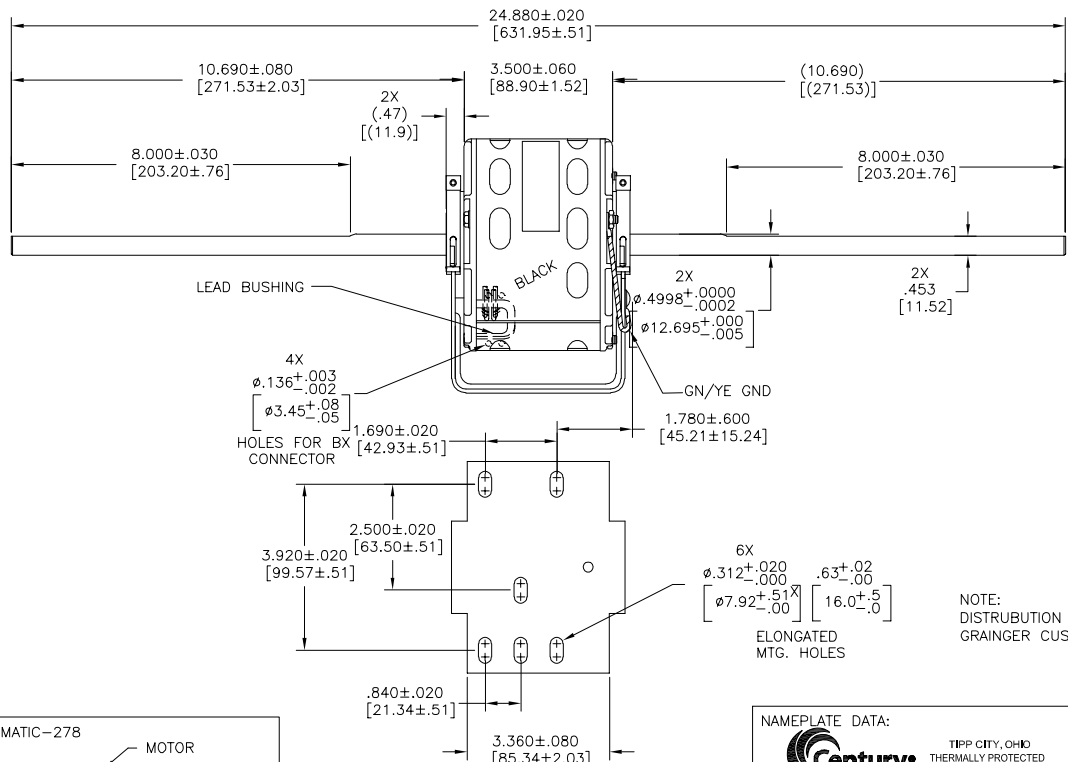
Technical Specifications

Electrical Type	Shaded Pole	Starting Method	Across The Line
Poles	6	Rotation	Clockwise Lead End
Mounting	Resilient Base	Motor Orientation	Horizontal
Drive End Bearing	Sleeve	Opp Drive End Bearing	Sleeve
Frame Material	Rolled Steel	Shaft Type	Flat
Overall Length	24.88 in	Frame Length	3.50 in
Shaft Diameter	0.500 in	Shaft Extension	10.69X.5X10.69 in
Outline Drawing	DA3E7681-S01		

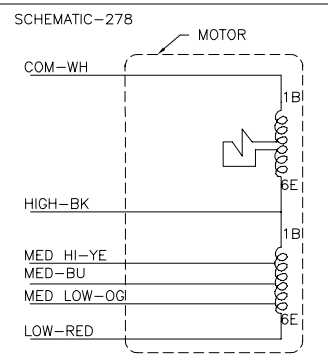
This is an uncontrolled document once printed or downloaded and is subject to change without notice. Date Created:06/11/2020

REV	ECO	REV BY	DATE	APPD	DATE
R	0028994	L.ORTIZ	10-16-2012	M.AVILA	10-16-2012

CUSTOMER IS SOLELY RESPONSIBLE FOR MOTOR PERFORMANCE AND SUITABILITY IN APPLICATIONS FOR CUSTOMER'S USES.



NOTE:
DISTRUBUTION CUST P/N: 89
GRAINGER CUST P/N: 4MA19



ELECTRICALLY PER SAMPLE S-9088E

NAMEPLATE DATA:

Century TIPP CITY, OHIO THERMALLY PROTECTED

SER. DATE & P/N PLT LTR MOD DA3E681N#

VOLTS 115 HZ 50/60 AMPS 3.2

RPM 1050 SP5 PH1 CAP

INS CL AMB °C HP CONT A.O. —ROTATION—>

BRG SLV BK-HI 3.2A 1/10HP WH-COM

YE-MED HI 2.3A 1/20HP BU-MED 1.7A 1/30HP ASSEMBLED IN MEXICO

OG-MED LO 1.4A 1/40HP RD-LOW .96A 1/70HP

ROT.:— CWLE

SAFETY WARNING
63T7433-259

GEOMETRIC CHARACTERISTICS & SYMBOLS

- FLATNESS
- STRAIGHTNESS
- ANGULARITY
- PERPENDICULARITY (SQUARENESS)
- PARALLELISM
- ROUNDNESS (CIRCULARITY)
- CYLINDRICITY
- PROFILE OF ANY SURFACE
- PROFILE OF ANY LINE
- RUNOUT
- TRUE POSITION
- CONCENTRICITY
- SYMMETRY

ASME Y14.5M 1994

UNLESS OTHERWISE SPECIFIED DIM. TOLERANCES ARE AS FOLLOWS:

INCH	±.1	±.02	±.005	±.0005
mm	±0.5	±0.13	±0.013	

ANG. ±.50 DEG

REMOVE BURRS & BREAK SHARP EDGES:
INCH .003-.015 mm 0.1-.04

CORNER FILLETS TO:
INCH .020 mm 0.5

MACHINE SURFACES:
INCH 125 mm 3.2

METRIC DIMS. SHOWN IN [BRACKETS]

DR BY:

APPD:

THIRD ANGLE PROJECTION

EDS DATE 11-11-2011
FORMAT REV H

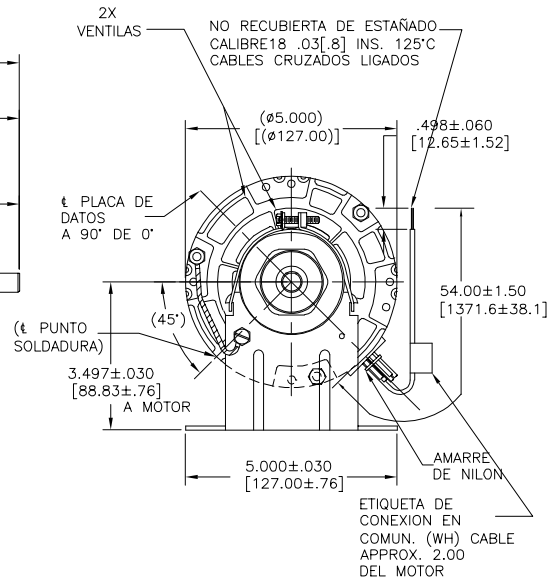
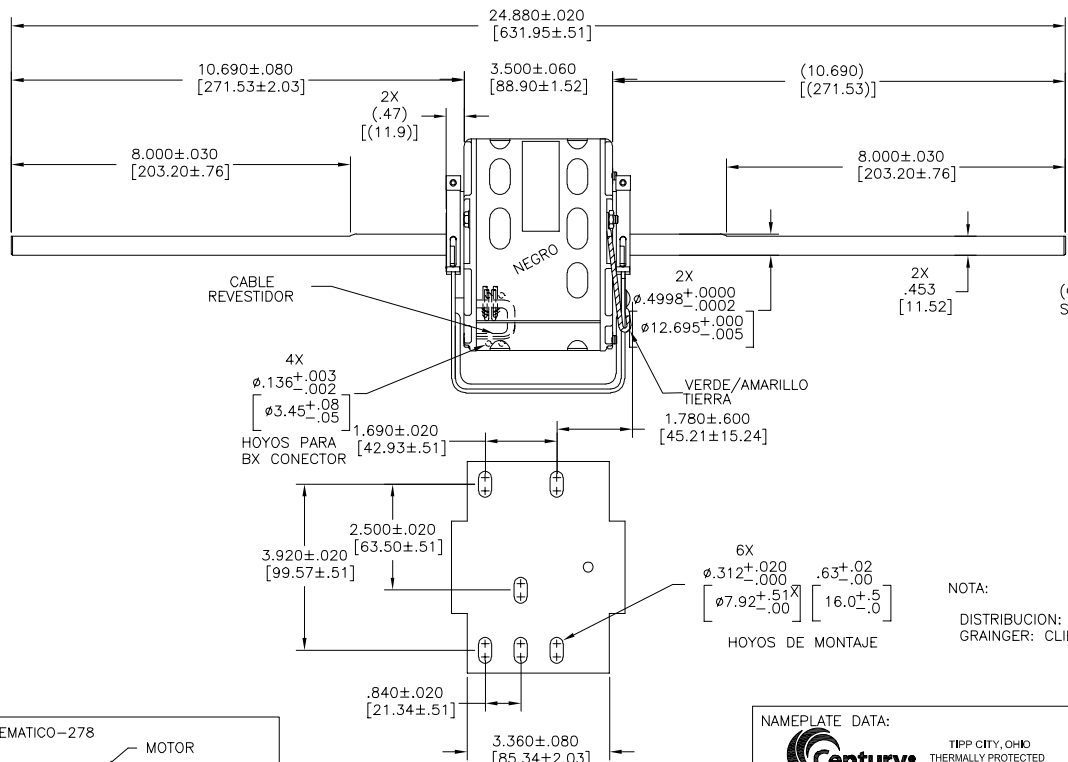
CONFIDENTIAL: THIS DRAWING AND ITS INFORMATION ARE THE EXCLUSIVE AND CONFIDENTIAL PROPERTY OF REGAL-BELOIT CORPORATION AND ARE NOT TO BE DISCLOSED, DUPLICATED, DISTRIBUTED OR OTHERWISE USED WITHOUT THE WRITTEN CONSENT OF REGAL-BELOIT CORPORATION. —ALL RIGHTS RESERVED.

REGAL REGAL-BELOIT CORPORATION	
DESCRIPTION MODEL-RFHP-42FR OUTLINE	
SIZE C	DWG NO DA3E7681
SCALE NONE	SHEET 1

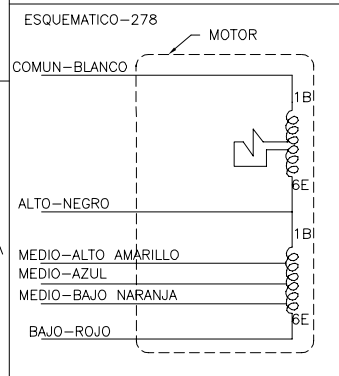
REVISION: ECO	REVISADO POR: L.ORTIZ	FECHA: 10-16-2012	APROBADO POR: M.AVILA	FECHA: 10-16-2012
R	0028994			

EL CLIENTE ES SOLO EL RESPONSABLE DEL DESEMPEÑO DEL MOTOR Y LAS APLICACIONES ADECUADAS DE LOS USOS DEL CLIENTE.

JUEGO AXIAL .005 MIN - .040 MAX
 MAXIMO OSCILACION DE LA FLECHA .001[.03] POR PULG.
 MAXIMO OSCILACION NO EXCEDER .010[.3]



NOTA:
 DISTRIBUCION: CLIENTE. P/N: 89
 GRAINGER: CLIENTE. P/N: 4MA19



ELECTRICAMENTE POR MUESTRA
 S-9088E

NAMEPLATE DATA:

Century TIPP CITY, OHIO THERMALLY PROTECTED

SER. DATE & PO# PLT LTR MOD DA3E681N#

VOLTS 115 HZ 50/60 AMPS 3.2

RPM 1050 SP5 PH1 CAP

INS CL AMB °C HP CONT A.O. ROTATION →

BRG SLV BK-HI 3.2A 1/10HP WH-COM

YE-MED HI 2.3A 1/20HP BU-MED 1.7A 1/30HP ASSEMBLED IN MEXICO

OG-MED LO 1.4A 1/40HP RD-LOW .96A 1/70HP

ROT.: - CWLE

PRECAUCION DE SEGURIDAD
 6317433-259

- CARACTERISTICAS DE GEOMETRIA Y SIMBOLOS
- ∇ PLANICIDAD
 - RECTITUD
 - ∠ ANGULARIDAD
 - ⊥ PERPENDICULARIDAD (A ESQUADRA)
 - // PARALELISMO
 - REDONDEZ (CIRCULARIDAD)
 - ∅ CILINDRICIDAD
 - ⊖ PERFIL DE CUALQUIER SUPERFICIE
 - ∩ PERFIL DE CUALQUIER LINEA
 - ∠ VARIACION
 - ⊕ POSICION REAL
 - ⊙ CONCENTRICIDAD
 - ≡ SIMETRIA

A MENOS QUE SE ESPECIFIQUE DE OTRA MANERA, LAS TOLERANCIAS DE LAS DIMS. SON LAS SIGUIENTES:

PULG ±.1 ±.02 ±.005 ±.0005

mm ±0.5 ±0.13 ±0.13 ±0.013

ANG. ±.50 GRADOS

ELIMINAR REBASAS Y ORILLAS FILOSAS DEL BORDE.

PULG .003-.015 mm 0.1-.04

FILETEAR ESQUINA: PULG. .020 mm 0.5

MAQUINAR SUPERFICIES

PULG 125 mm 3.2

DIMS METRICAS MOSTRADAS [PARENTESIS]

DIBUJADO POR:

APROBADO POR:

TERCER ANGULO DE PROYECCION

FECHA EDS: 11-11-2011

REV. FORMATO: H

CONFIDENCIAL: ESTE DIBUJO Y SU INFORMACION SON PROPIEDAD DE USO EXCLUSIVO Y CONFIDENCIAL DE REGAL-BELOIT CORPORATION. Y NO DEBERAN SER REVELADOS, DUPLICADOS, DISTRIBUIDOS O USARSE DE OTRA MANERA SIN EL CONSENTIMIENTO ESCRITO DE REGAL-BELOIT CORPORATION. -TODOS LOS DERECHOS RESERVADOS.

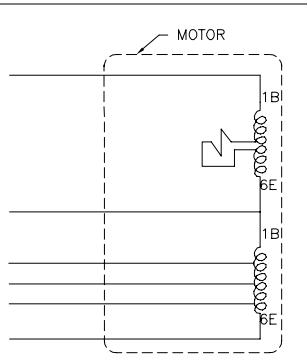
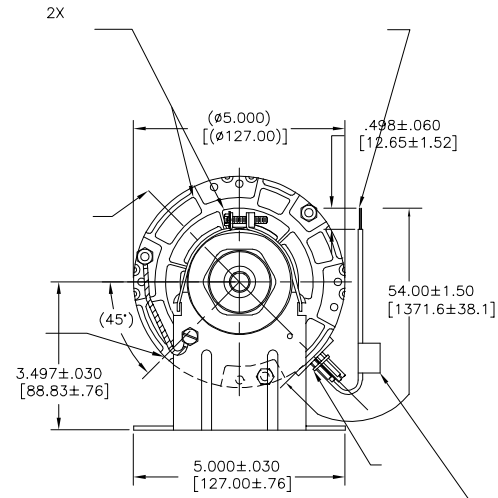
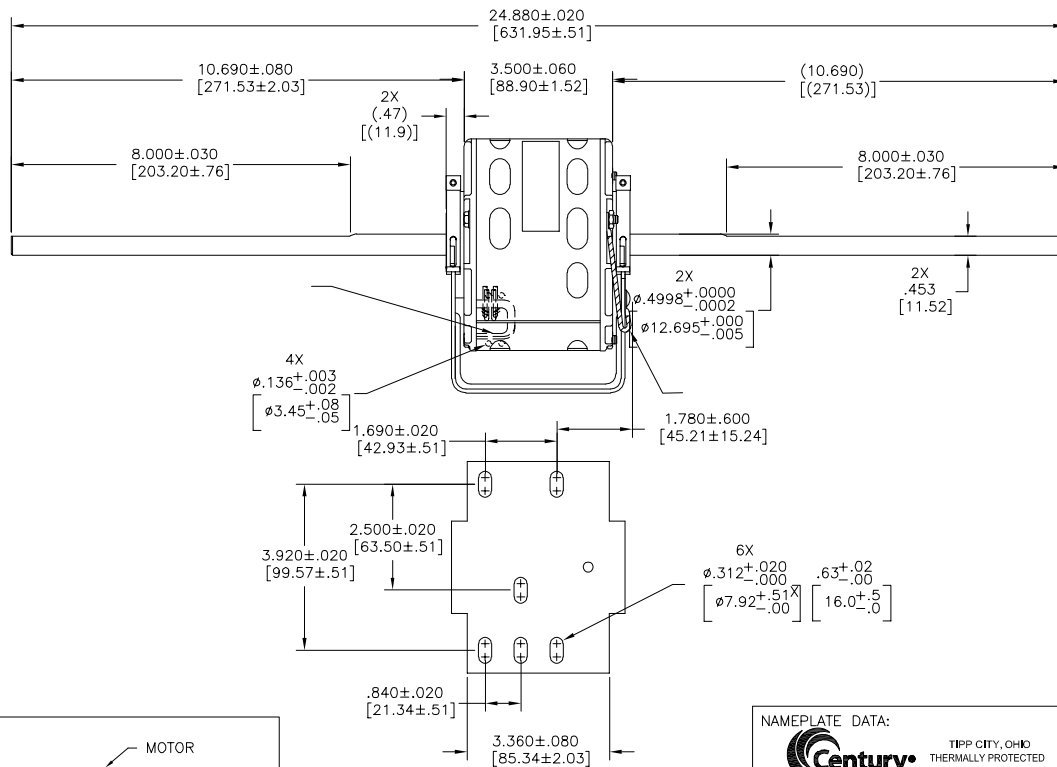
REGAL REGAL-BELOIT CORPORATION

DESCRIPCION: MODEL-RFHP-42FR OUTLINE

TAMAÑO: C NUMERO DE DIBUJO: DA3E7681

ESCALA: NONE HOJA: 1

版本	ECO	编制	日期	核准	日期
R	0028994	LORTIZ	10-16-2012	M.AVILA	10-16-2012



NAMEPLATE DATA:
 TIPP CITY, OHIO
 THERMALLY PROTECTED
 SER. DATE & PO# PLT LTR MOD DA3E681N#
 VOLTS 115 HZ 50/60 AMPS 3.2
 RPM 1050 SP5 PH1 CAP
 INS CL AMB °C HP CONT A.O. — ROTATION →
 BRG SLV BK—HI 3.2A 1/10HP WH—COM
 YE—MED HI 2.3A 1/20HP BU—MED 1.7A 1/30HP ASSEMBLED IN MEXICO
 OG—MED LO 1.4A 1/40HP RD—LOW .96A 1/70HP

ROT:— CWLE
 63T7433-259

形位公差
 □ 平面度
 — 直线度
 < 倾斜度
 ⊥ 垂直度
 // 平行度
 ○ 圆度
 ⊙ 圆柱度
 Ⓜ 面轮廓度
 Ⓢ 线轮廓度
 Ⓣ 圆跳动
 Ⓤ 位置度
 Ⓥ 同轴度
 ⊕ 对称度

除另有注明
 尺寸公差如下:
 英寸 X XX XXX XXXX
 ±.1 ±.02 ±.005 ±.0005
 毫米 ±0.5 ±0.13 ±0.013
 角度 ±.50 度
 清理毛刺和尖棱
 英寸 .003-.015 毫米 0.1-0.4
 内圆角
 英寸 .020 毫米 0.5
 表面粗糙度
 英寸 12.5 毫米 3.2
 米制尺寸显示在 []

ASME Y14.5M 1994
 批准:
 第三角投影
 图框格式发布日期 11-11-2011
 图框格式版本 H
 机密: 本图纸及相关信息所有权归REGAL-BELOIT CORPORATION
 未经REGAL-BELOIT CORPORATION书面授权, 不得泄露、
 复制、传播或作其他用途。—版权所有

REGAL REGAL-BELOIT CORPORATION
 MODEL—RFHP—42FR
 OUTLINE
 名称
 图号
 DA3E7681
 比例 NONE
 页号 1