

PRODUCT INFORMATION PACKET



Model No: 7FD6000A
Catalog No: 7FD6000A
1/2-1/6 HP Fan & Blower Motor, 1075 RPM, 4 Speed, 277 Volts, 48 Frame, OAO
Direct Drive Motors



Regal and Century are trademarks of Regal Beloit Corporation or one of its affiliated companies.
©2020 Regal Beloit Corporation, All Rights Reserved. MC017097E





Nameplate Specifications

Output HP	1/2-1/6 Hp	Output KW	0.37 kW
Frequency	60 Hz	Voltage	277 V
Current	3.3 A	Speed	1075 rpm
Service Factor	1	Phase	1
Duty	Air Over	Insulation Class	B
Frame	48Y	Enclosure	Open Enclosed
Thermal Protection	Automatic	Ambient Temperature	40 °C
UL	Recognized	CSA	Y
CE	N		

Technical Specifications

Electrical Type	Permanent Split Capacitor	Starting Method	Across The Line
Poles	6	Rotation	Reversible
Mounting	Resilient Ring/Extended Studs	Motor Orientation	Horizontal
Drive End Bearing	Ball	Opp Drive End Bearing	Ball
Frame Material	Rolled Steel	Shaft Type	Flat
Overall Length	10.36 in	Frame Length	4.25 in
Shaft Diameter	0.500 in	Shaft Extension	5.0 in
Connection Drawing	614131-265	Outline Drawing	7FD6000A-S01

This is an uncontrolled document once printed or downloaded and is subject to change without notice. Date Created:06/11/2020

GENERAL INFORMATION:

SHAFT RUNOUT: .001 [.03] T.I.R. PER INCH LENGTH OF EXTENSION

BEARINGS: BALL

MOUNTING POSITION: HORIZONTAL

ELECTRICAL DATA:

OVERLOAD PROTECTOR: AUTOMATIC RESET (SENSATA 7AM 036)

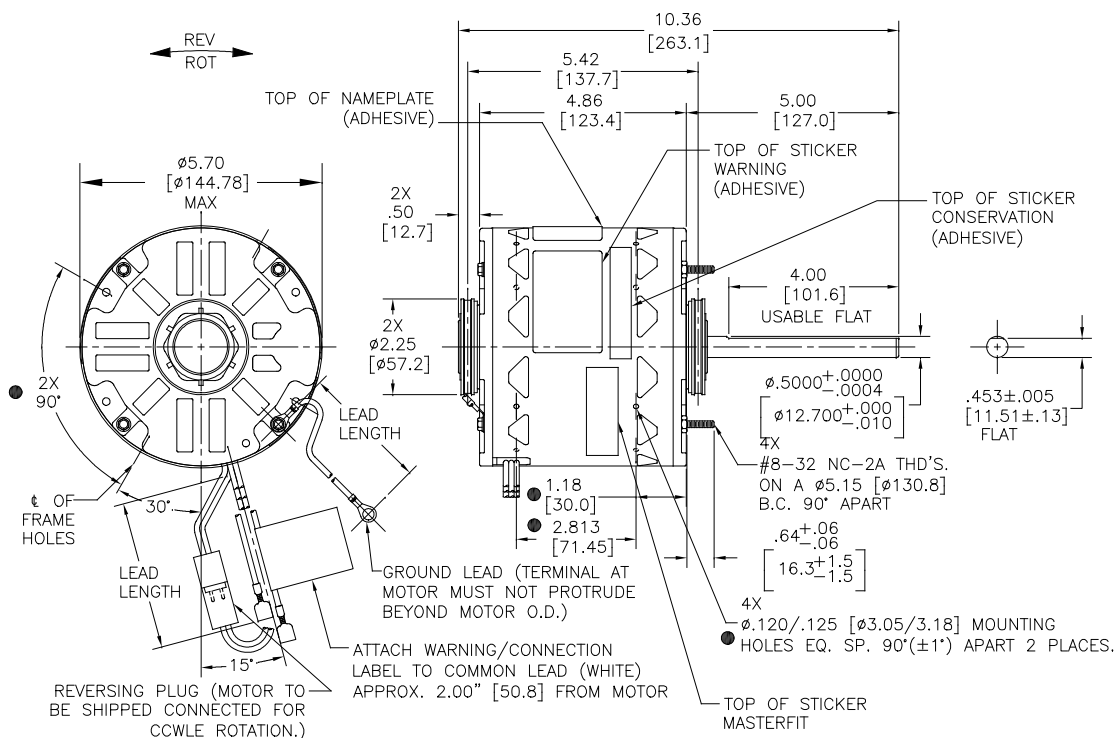
LEADS: NO. 18 GA., .03 [.8] THK. XLP 125°C INSUL.

REVERSING PLUGS: NO. 18 GA., .03 [.8] THK. XLP 125°C INSUL.

GROUND LEAD: NO. 18 GA., .03 [.8] THK. (GREEN) INSUL.

NOTES:

- DENOTES CRITICAL CHARACTERISTICS.
- (4) SPLIT RING ADAPTOR 615035 (OR 53P26-1 ONLY USED IN MEXICO), (8) SCREWS 615982-001, (1) 2518746-001 CLAMP AND (1) CAPACITOR 2509074-001 TO BE PUT IN A POLYBAG & BE PACKED WITH EACH MOTOR.



GREEN (GROUND)	9.0/11.0 [229/279]	.25 [6.4] RING
BLACK/WHITE	3.0/5.0 [76/127]	REVERSING PLUG
BROWN	36.5/39.5 [927/1003]	.25[6.4] FEMALE
BROWN/WHITE	36.5/39.5 [927/1003]	.25[6.4] FEMALE
RED	36.5/39.5 [927/1003]	.25[6.4] FEMALE
YELLOW	36.5/39.5 [927/1003]	.25[6.4] FEMALE
BLUE	36.5/39.5 [927/1003]	.25[6.4] FEMALE
BLACK	36.5/39.5 [927/1003]	.25[6.4] FEMALE
WHITE	36.5/39.5 [927/1003]	.25[6.4] FEMALE
COLOR	LENGTH	TERMINAL OR STRIP LENGTH

REGAL-BELOIT CORPORATION (RBC) PROVIDES TECHNICAL ASSISTANCE TO OUR CUSTOMERS IN SEVERAL AREAS. SINCE RBC DOES NOT RECEIVE ALL DATA CONCERNING THE USE AND APPLICATION OF THE MOTOR, THE SUITABILITY OF THE MOTOR FOR THE APPLICATION MUST BE DETERMINED BY THE CUSTOMER.

- NOTES:
1. THE SYMBOL OF CTQ: ▲ (NO CTQ ON THIS DRAWING).
 2. MEET THE REQUIREMENT OF RoHS & REACH, SEE EP000014_5.1.

DIMENSIONS WITHOUT TOLERANCES ARE FOR REFERENCE ONLY.

MAIN FRAME - OLE	OPEN
END FRAME - OLE	OPEN
MAIN FRAME - LE	OPEN
END FRAME - LE	OPEN

CUSTOMER	DISTRIBUTION SERVICE
----------	----------------------

NAMEPLATE DATA:		EXTERNAL CONNECTION DIAGRAM	
MODEL NO.: F48AE74A01 CUST. P/N: 7FD6000A HP: 1/2-1/6 ROT.: REVERSIBLE RPM: 1075/4 SPD. TYPE: UF FRAME: 48Y VOLTS: 277 PH: 1 AMPS: 3.3 MAX. HZ: 60 INS.: B AMB.: 40° C DUTY: AIR OVER CAP.: 10 OR 5 MFD/370 V ENCL: OPEN UL LOGO CSA LOGO THERMALLY PROTECTED			
PERFORMANCE CURVE NO.	TORQUE @1075 RPM (25°C)	APPROVED SAMPLE	UL COMPONENT
C0000683	55.4 OZ. FT.	X-0004053	E46412 PRGY2 LR43341 4211-01

LEAD DATA	
DRAWING REVISION	REVISION BY
D	JUDY.ZHU
DATE	10-30-2019
ECO	APPROVED BY
ECO-0175728	KEYUN.GONG
DATE	10-30-2019
ECO DESCRIPTION	
ø70NED-CHANGE BEARING FROM SLEEVE TO BALL; DELETE "END PLAY"	
<small>COPYRIGHT REGAL-BELOIT AMERICA, INC. ALL RIGHTS RESERVED. PROPRIETARY AND CONFIDENTIAL INFORMATION - THIS DOCUMENT IS THE PROPERTY OF REGAL-BELOIT AMERICA, INC. ("OWNER") AND CONTAINS OWNER'S PROPRIETARY INFORMATION. ANY REPRODUCTION, COPIING OR OTHER USE WITHOUT THE WRITTEN PERMISSION OF REGAL-BELOIT AMERICA, INC. IS STRICTLY PROHIBITED. BY RECEIVING IT, TO AGREE THAT IT, AND/OR ANY PART OF IT, SHALL NOT BE DISCLOSED TO ANY PERSON, CORPORATION OR OTHER ENTITY, EMPLOYEE, AND/OR USER EXCEPT AS EXPRESSLY APPROVED IN WRITING BY OWNER. THIS DOCUMENT SHALL BE RETURNED TO OWNER UPON REQUEST. IT MAY BE SUBJECT TO CERTAIN RESTRICTIONS UNDER APPLICABLE EXPORT CONTROL LAWS AND REGULATIONS.</small>	

ENCLOSURE		CUSTOMER		DISTRIBUTION SERVICE	
DRAWN BY:	G.ZHAO	REGAL-BELOIT AMERICA, Inc.			
DATE:	05-09-2014	MODEL-RFHP-48FR OUTLINE			
APPROVED BY:	C.ZHOU	PROCESS/FINISH			
DATE:	05-09-2014	SHEET			
REFERENCE:		7FD6000A			
THIRD ANGLE PROJECTION	C	DWG NO		1	

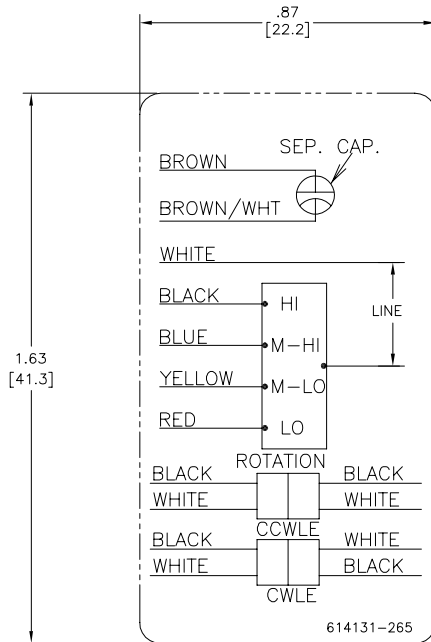
4

3

2

1

REV	ECO	REV BY	DATE	APPD	DATE
C	0029048	D.RODRIGUEZ	10-18-2012	J.HESS	10-18-2012



NOTES:

1. FOR USE WITH 614129 NAMEPLATE BLANK
2. --- --- INDICATES DIMENSION LIMITS
3. DIE TO BE MADE FROM MASTER SUPPLIED BY REGAL
4. DIE MUST PRODUCE A LEGIBLE IMPRESSION.

GEOMETRIC CHARACTERISTICS & SYMBOLS	
▭	FLATNESS
—	STRAIGHTNESS
∠	ANGULARITY
⊥	PERPENDICULARITY (SQUARENESS)
∥	PARALLELISM
○	ROUNDNESS (CIRCULARITY)
⊘	CYLINDRICITY
⌒	PROFILE OF ANY SURFACE
⌒	PROFILE OF ANY LINE
⊕	RUNOUT
⊕	TRUE POSITION
◎	CONCENTRICITY
⊖	SYMMETRY

UNLESS OTHERWISE SPECIFIED DIM. TOLERANCES ARE AS FOLLOWS:
INCH X XX XXX XXXX ±.1 ±.02 ±.005 ±.0005
mm ±0.5 ±0.13 ±0.013
ANG. ±.50 DEG
REMOVE BURRS & BREAK SHARP EDGES: INCH .003-.015 mm 0.1-.04
CORNER FILLETS TO: INCH .020 mm 0.5
MACHINE SURFACES: INCH 125 mm 3.2
METRIC DIMS. SHOWN IN [BRACKETS]

DR BY: JZ	03-31-2011
APPD: CZ	03-31-2011
THIRD ANGLE PROJECTION	EDS DATE 11-11-2011 FORMAT REV H
CONFIDENTIAL: THIS DRAWING AND ITS INFORMATION ARE THE EXCLUSIVE AND CONFIDENTIAL PROPERTY OF REGAL-BELOIT CORPORATION AND ARE NOT TO BE DISCLOSED, DUPLICATED, DISTRIBUTED OR OTHERWISE USED WITHOUT THE WRITTEN CONSENT OF REGAL-BELOIT CORPORATION. -ALL RIGHTS RESERVED.	

REGAL REGAL-BELOIT CORPORATION	
DESCRIPTION CONN DIAGRAM-NAMEPLATE	
SIZE C	DWG NO 614131-265
SCALE NONE	SHEET 1

4

3

2

1