

PRODUCT INFORMATION PACKET



Model No: 7FD1036
Catalog No: 7FD1036
1/3 HP Fan & Blower Motor, 1075 RPM, 3 Speed, 277 Volts, 48 Frame, OAO
Direct Drive Motors



Regal and Century are trademarks of Regal Beloit Corporation or one of its affiliated companies.
©2020 Regal Beloit Corporation, All Rights Reserved. MC017097E





Nameplate Specifications

Output HP	1/3 Hp	Output KW	0.25 kW
Frequency	60 Hz	Voltage	277 V
Current	1.9 A	Speed	1075 rpm
Service Factor	1	Phase	1
Duty	Air Over	Insulation Class	B
Frame	48Y	Enclosure	Open Enclosed
Thermal Protection	Automatic	Ambient Temperature	50 °C
UL	Recognized	CSA	Y
CE	N		

Technical Specifications

Electrical Type	Permanent Split Capacitor	Starting Method	Across The Line
Poles	6	Rotation	Reversible
Mounting	Resilient Ring/Extended Studs	Motor Orientation	Horizontal
Drive End Bearing	Ball	Opp Drive End Bearing	Ball
Frame Material	Rolled Steel	Shaft Type	Flat
Overall Length	10.93 in	Frame Length	3.88 in
Shaft Diameter	0.500 in	Shaft Extension	6.4 in
Outline Drawing	7FD1036	Connection Drawing	614131-111

This is an uncontrolled document once printed or downloaded and is subject to change without notice. Date Created:10/09/2020

GENERAL INFORMATION:

SHAFT RUNOUT: .001[.03] T. I. R. PER INCH LENGTH OF EXTENSION.

BEARINGS: BALL

MOUNTING POSITION: HORIZONTAL

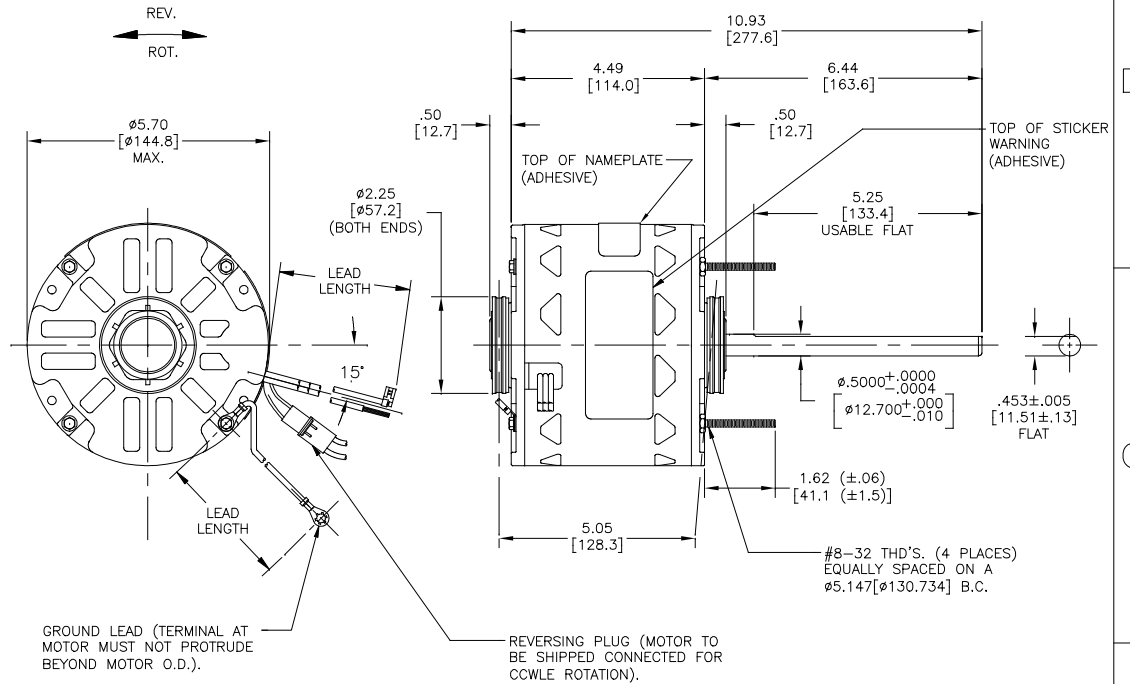
ELECTRICAL DATA:

OVERLOAD PROTECTOR: AUTOMATIC RESET (T. I. 7AM 036)

LEADS: No. 18 GA., .06[1.5] THK. EPDM 125°C INSUL.

REVERSING LEADS: No. 18 GA., .03[.8] THK. 125°C INSUL.

GROUND LEAD: No. 18 GA., .03[.8] THK., (GREEN) INSUL.



GROUND LEAD (TERMINAL AT MOTOR MUST NOT PROTRUDE BEYOND MOTOR O.D.).

REVERSING PLUG (MOTOR TO BE SHIPPED CONNECTED FOR CCWLE ROTATION).

-NOTE:

1. -SNAP RINGS 615035 (4 REQ'D.) TO BE PACKED WITH EACH MOTOR
2. THE SYMBOL OF CTQ: ▲ (NO CTQ ON THIS DRAWING)
3. MEET THE REQUIREMENT OF ROHS AND REACH: SEE EPO00014_5.1

REGAL-BELOIT CORPORATION (RBC) PROVIDES TECHNICAL ASSISTANCE TO OUR CUSTOMERS IN SEVERAL AREAS. SINCE RBC DOES NOT RECEIVE ALL DATA CONCERNING THE USE AND APPLICATION OF THE MOTOR, THE SUITABILITY OF THE MOTOR FOR THE APPLICATION MUST BE DETERMINED BY THE CUSTOMER.

DIMENSIONS WITHOUT TOLERANCES ARE FOR REFERENCE ONLY.

MAIN FRAME - OLE	OPEN
END FRAME - OLE	OPEN
MAIN FRAME - LE	OPEN
END FRAME - LE	OPEN

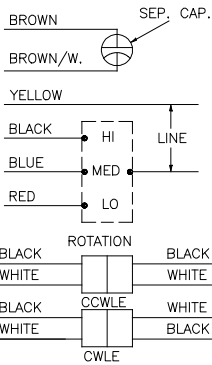
CUSTOMER	DISTRIBUTION SERVICE
----------	----------------------

COLOR	LENGTH	TERMINAL OR STRIP LENGTH
GREEN(GRD)	12.0/13.0 [304.8/330.2]	#10 EYELET
BLACK/WHITE	3.0/5.0 [76.2/127]	REVERSING PLUG
BROWN	26.0/28.0 [660.4/711.2]	.25[6.35] FLAG
BROWN/WHITE	26.0/28.0 [660.4/711.2]	.25[6.35] FLAG
YELLOW	26.0/28.0 [660.4/711.2]	.50[12.70] SKIN
BLUE	26.0/28.0 [660.4/711.2]	.50[12.70] SKIN
BLACK	26.0/28.0 [660.4/711.2]	.50[12.70] SKIN
RED	26.0/28.0 [660.4/711.2]	.50[12.70] SKIN

NAMEPLATE DATA:

MODEL NO.: F48A30A01
 CUST. P/N: 7FD1036
 HP: 1/3
 ROT.: REVERSIBLE
 RPM: 1075/3 SPD
 TYPE: UF
 FRAME: 48Y
 VOLTS: 277
 PH: 1
 AMPS: 1.9 (2.1 MAX)
 HZ: 60
 INS.: B
 AMB.: 50 ° C
 DUTY: AIR COVER
 CAP.: 7.5 MFD/370V
 ENCL: OPEN
 UL LOGO
 CSA LOGO
 THERMALLY PROTECTED

EXTERNAL CONNECTION DIAGRAM



614131-111

PERFORMANCE CURVE NO.	TORQUE @ 1075 RPM (25°C)	APPROVED SAMPLE	UL COMPONENT	CSA
FILE #	GUIDE #	FILE #	GUIDE #	
C23307	24.1 OZ. FT.	EX11392	E46412	PRGY2 LR43341 260-0-0

LEAD DATA

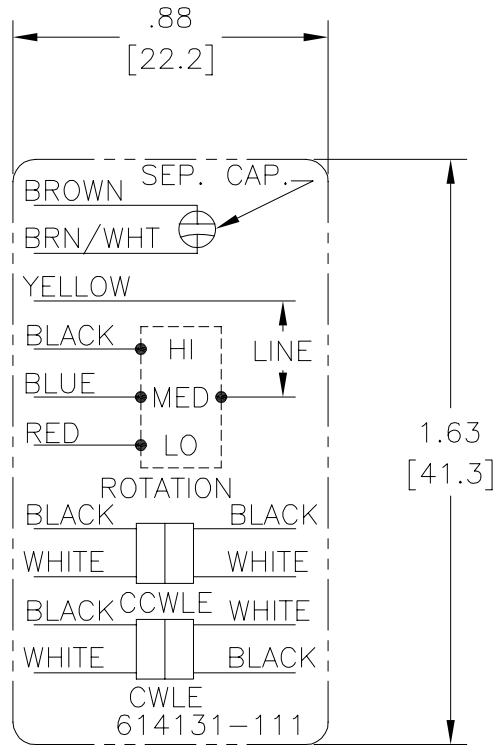
DRAWING REVISION BY: E	REVISION BY: ANNA SUN	DATE: 10-23-2019
ECCO-0175405	APPROVED BY: KEVIN GONG	DATE: 10-23-2019
ECCO DESCRIPTION: Update view of mounting ring		

DRAWN BY: J.WILLIAMS
 DATE: 03-07-1991
 APPROVED BY: M.FRENCH
 DATE: 11-10-1992
 REFERENCE: 7FD1036
 THIRD ANGLE PROJECTION

Regal Beloit America, Inc.	
DESCRIPTION: MODEL-RFHP-48FR OUTLINE	PROCESS/FINISH
MATERIAL: 7FD1036	SIZE DWG NO: 7FD1036
SHEET: 1	

Uncontrolled Copy

REV	ECO	REV BY	DATE	APPD	DATE
B	ECO-0014509	jrupert	05-25-2010	triley	05-25-2010



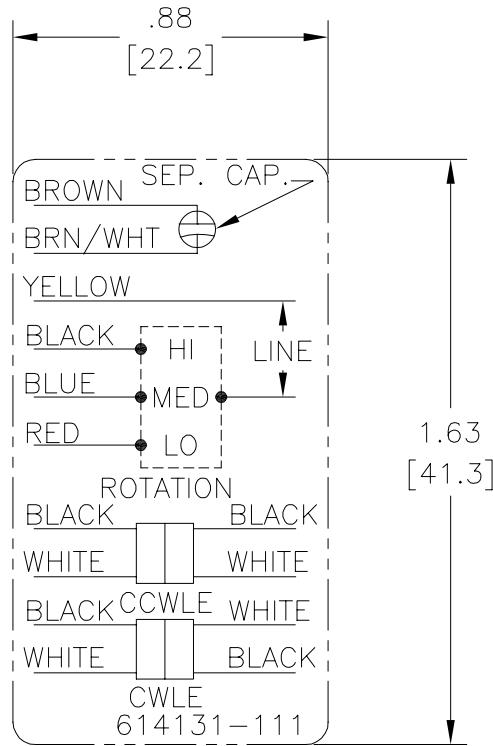
NOTES:

1. FOR USE WITH 614129 NAMEPLATE BLANK
2. — — — — — INDICATES DIMENSION LIMITS
3. DIE TO BE MADE FROM MASTER SUPPLIED BY A. O. SMITH CORPORATION
4. DIE MUST PRODUCE A LEGIBLE IMPRESSION.

GEOMETRIC CHARACTERISTICS & SYMBOLS ▽ FLATNESS — STRAIGHTNESS ∠ ANGULARITY ⊥ PERPENDICULARITY (SQUARENESS) ∥ PARALLELISM ○ ROUNDNESS (CIRCULARITY) ⌀ CYLINDRICITY △ PROFILE OF ANY SURFACE ▽ PROFILE OF ANY LINE ↗ RUNOUT ⊕ TRUE POSITION ⊙ CONCENTRICITY = SYMMETRY	UNLESS OTHERWISE SPECIFIED DIM. TOLERANCES ARE AS FOLLOWS: INCH X XX XXX XXXX ±.1 ±.02 ±.005 ±.0005 mm ±0.5 ±0.13 ±0.013 ANG. ±.50 DEG REMOVE BURRS & BREAK SHARP EDGES: INCH .003-.015 mm 0.1-0.4 CORNER FILLETS TO: INCH .020 mm 0.5 MACHINE SURFACES: INCH 125 mm 3.2 METRIC DIMS. SHOWN IN [BRACKETS]	DR BY: jrupert APPD: triley THIRD ANGLE PROJECTION EDS DATE 02-22-2008 FORMAT REV F CONFIDENTIAL: THIS DRAWING AND ITS INFORMATION ARE THE EXCLUSIVE AND CONFIDENTIAL PROPERTY OF A.O. SMITH CORP. AND ARE NOT TO BE DISCLOSED, DUPLICATED, DISTRIBUTED OR OTHERWISE USED WITHOUT THE WRITTEN CONSENT OF A.O. SMITH CORP. -ALL RIGHTS RESERVED. ASME Y14.5M 1994	<table border="1" style="width: 100%; border-collapse: collapse;"> <tr> <td colspan="2" style="text-align: center;">ACSmith <small>innovation has a name.</small></td> <td style="text-align: center;">ELECTRICAL PRODUCTS COMPANY <small>A DIVISION OF A. O. SMITH CORPORATION</small></td> </tr> <tr> <td colspan="3" style="text-align: center;">DESCRIPTION CONN DIAGRAM EXTERNAL</td> </tr> <tr> <td style="width: 10%;">SIZE A</td> <td style="width: 40%;">DWG NO 614131-111</td> <td style="width: 50%;"></td> </tr> <tr> <td>SCALE NONE</td> <td></td> <td>SHEET 1</td> </tr> </table>	ACSmith <small>innovation has a name.</small>		ELECTRICAL PRODUCTS COMPANY <small>A DIVISION OF A. O. SMITH CORPORATION</small>	DESCRIPTION CONN DIAGRAM EXTERNAL			SIZE A	DWG NO 614131-111		SCALE NONE		SHEET 1
ACSmith <small>innovation has a name.</small>		ELECTRICAL PRODUCTS COMPANY <small>A DIVISION OF A. O. SMITH CORPORATION</small>													
DESCRIPTION CONN DIAGRAM EXTERNAL															
SIZE A	DWG NO 614131-111														
SCALE NONE		SHEET 1													

Uncontrolled Copy

REVISION:	ECO	REVISADO POR:	FECHA:	APROBADO POR:	FECHA:
B	ECO-0014509	jrupert	05-25-2010	triley	05-25-2010



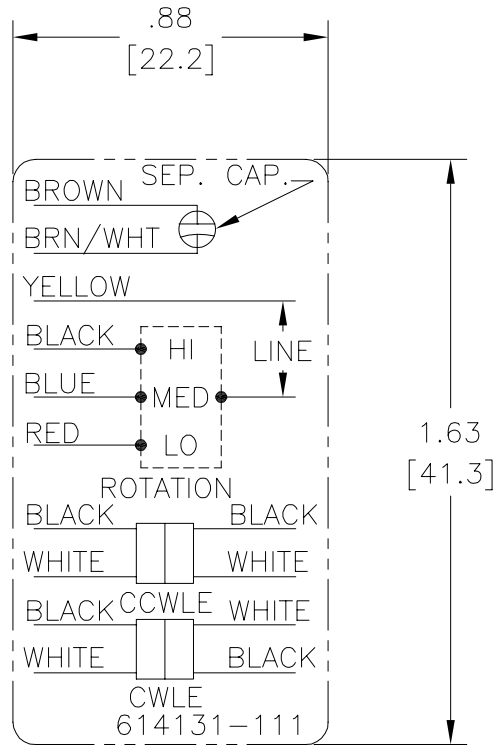
NOTES:

1. FOR USE WITH 614129 NAMEPLATE BLANK
2. — — — — — INDICATES DIMENSION LIMITS
3. DIE TO BE MADE FROM MASTER SUPPLIED BY A. O. SMITH CORPORATION
4. DIE MUST PRODUCE A LEGIBLE IMPRESSION.

CARACTERISTICAS DE GEOMETRIA Y SIMBOLOS Z PLANICIDAD — RECTITUD < ANGULARIDAD ⊥ PERPENDICULARIDAD (A ESCUADRA) // PARALELISMO ○ REDONDEZ (CIRCULARIDAD) ∅ CILINDRICIDAD △ PERFIL DE CUALQUIER SUPERFICIE ∩ PERFIL DE CUALQUIER LINEA / VARIACION ⊕ POSICION REAL ⊙ CONCENTRICIDAD = SIMETRIA	A MENOS QUE SE ESPECIFIQUE DE OTRA MANERA, LAS TOLERANCIAS DE LAS DIMS. SON LAS SIGUIENTES: PULG ±.1 ±.02 ±.005 ±.0005 mm ±0.5 ±0.13 ±0.013 ANG. ±.50 GRADOS ELIMINAR REBABAS Y ORILLAS FILOSAS DEL BORDE. PULG .003-.015 mm 0.1-0.4 FILETEAR ESQUINA: PULG .020 mm 0.5 MAQUINAR SUPERFICIES PULG 125 mm 3.2 DIMS METRICAS MOSTRADAS [PARENTESIS]	DIBUJADO POR: jrupert 05-25-2010 APROBADO POR: triley 05-25-2010 TERCER ANGULO DE PROYECCION FECHA EDS: 02-22-2008 REV. FORMATO: F	ELECTRICAL PRODUCTS COMPANY <small>A DIVISION OF A. O. SMITH CORPORATION</small>	DESCRIPCION: CONN DIAGRAM EXTERNAL TAMAÑO: A NUMERO DE DIBUJO: 614131-111 ESCALA: NONE HOJA: 1
	CONFIDENCIAL: ESTE DIBUJO Y SU INFORMACION SON PROPIEDAD DE USO EXCLUSIVO Y CONFIDENCIAL DE A.O.SMITH CORP. Y NO DEBERAN SER REVELADOS, DUPLICADOS, DISTRIBUIDOS O USARSE DE OTRA MANERA SIN EL CONSENTIMIENTO ESCRITO DE A.O. SMITH CORP. -TODOS LOS DERECHOS RESERVADOS.ASME Y14.5M 1994			

Uncontrolled Copy

版本	ECO	编制	日期	批准	日期
B	ECO-0014509	jrupert	05-25-2010	triley	05-25-2010



NOTES:

1. FOR USE WITH 614129 NAMEPLATE BLANK
2. — — — — — INDICATES DIMENSION LIMITS
3. DIE TO BE MADE FROM MASTER SUPPLIED BY A. O. SMITH CORPORATION
4. DIE MUST PRODUCE A LEGIBLE IMPRESSION.

形位公差 □ 平面度 — 直线度 ∠ 倾斜度 ⊥ 垂直度 ∥ 平行度 ○ 圆度 ⊙ 圆柱度 面轮廓度 线轮廓度 圆跳动 位置度 同轴度 对称度	除另有注明 尺寸公差如下: 英寸 X XX XXX XXXX 毫米 ±.1 ±.02 ±.005 ±.0005 毫米 ±0.5 ±0.13 ±0.013 角度 ±.50 度 清理毛刺和尖棱 英寸 .003-.015 毫米 0.1-0.4 内圆角 英寸 .020 毫米 0.5 表面粗糙度 英制 125 米制 3.2 米制尺寸显示在 []	绘图: jrupert 批准: triley 第三角投影	05-25-2010 05-25-2010 图纸格式发布日期 02-22-2008 图纸格式版本 F	ELECTRICAL PRODUCTS COMPANY <small>A DIVISION OF A. O. SMITH CORPORATION</small> 名称 <h2 style="margin: 0;">CONN DIAGRAM EXTERNAL</h2>	
	机密: 本图纸及相关信息所有权归A. O. SMITH公司所有。未经A. O. SMITH公司书面授权, 不得泄露、复制、传播或作其他用途。--版权所有 ASME Y14.5M 1994				图幅 A 图号 614131-111
			比例 NONE		页号 1
	比例 NONE 图号 614131-111 页号 1				