

PRODUCT INFORMATION PACKET



Model No: 7FD1026
Catalog No: 7FD1026
1/4 HP Fan & Blower Motor, 1075 RPM, 3 Speed, 277 Volts, 48 Frame, OAO
Direct Drive Motors



Regal and Century are trademarks of Regal Beloit Corporation or one of its affiliated companies.
©2020 Regal Beloit Corporation, All Rights Reserved. MC017097E





Nameplate Specifications

Output HP	1/4 Hp	Output KW	0.19 kW
Frequency	60 Hz	Voltage	277 V
Current	1.3 A	Speed	1075 rpm
Service Factor	1	Phase	1
Duty	Air Over	Insulation Class	B
Frame	48Y	Enclosure	Open Enclosed
Thermal Protection	Automatic	Ambient Temperature	50 °C
UL	Recognized	CSA	Y
CE	N		

Technical Specifications

Electrical Type	Permanent Split Capacitor	Starting Method	Across The Line
Poles	6	Rotation	Reversible
Mounting	Resilient Ring/Extended Studs	Motor Orientation	Horizontal
Drive End Bearing	Ball	Opp Drive End Bearing	Ball
Frame Material	Rolled Steel	Shaft Type	Flat
Overall Length	10.80 in	Frame Length	3.25 in
Shaft Diameter	0.500 in	Shaft Extension	6.4 in
Outline Drawing	7FD1026-S01		

This is an uncontrolled document once printed or downloaded and is subject to change without notice. Date Created:08/09/2020

GENERAL INFORMATION:

SHAFT RUNOUT: .001[.03] T.I.R. PER INCH LENGTH OF EXTENSION.

BEARINGS: BALL

MOUNTING POSITION: HORIZONTAL

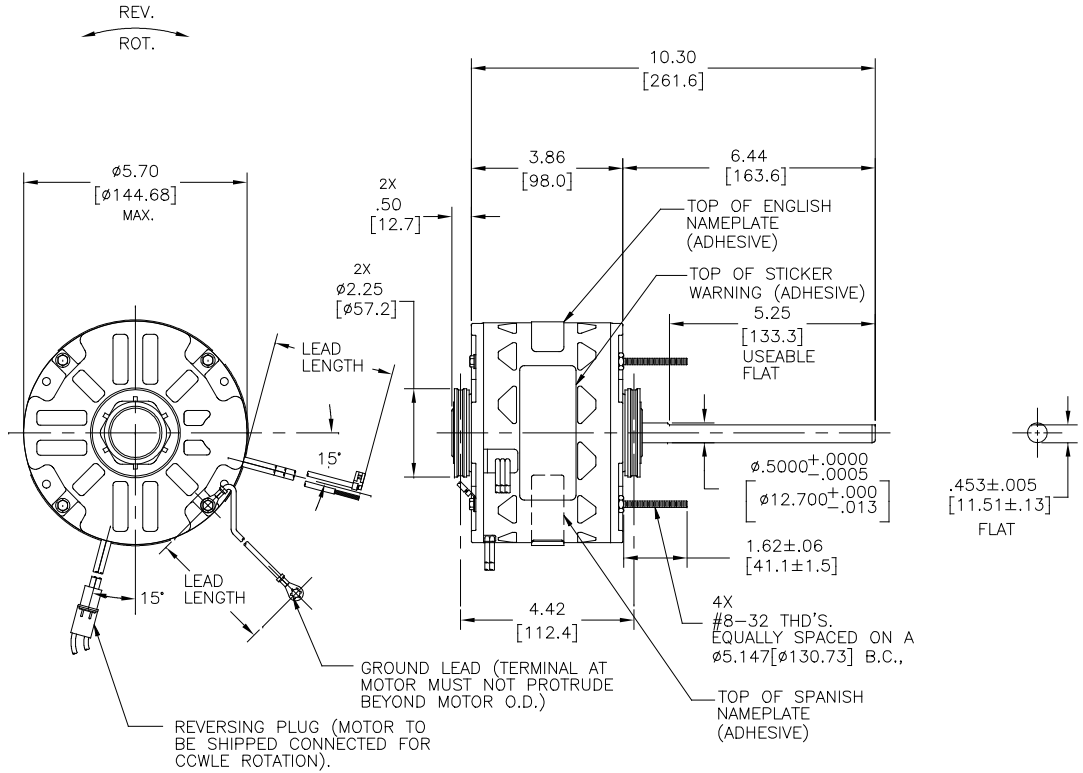
ELECTRICAL DATA:

OVERLOAD PROTECTOR: AUTOMATIC RESET (T.I. 7AM 036)

LEADS: NO. 18 GA., .06[1.5] THK., PVC 105°C INSUL.

REVERSING LEADS: NO. 18 GA., .03[.8] THK., 125°C INSUL.

GROUND LEAD: NO. 18 GA., .03[.8] THK., (GREEN) INSUL.



GREEN(GRD)	12.0/13.0 [305/330]	#10 EYELET
BLACK/WHITE	3.0/5.0 [76/127]	REVERSING PLUG
BROWN	26.0/28.0 [660/711]	.25[6.4] FLAG
BROWN/WHITE	26.0/28.0 [660/711]	.25[6.4] FLAG
YELLOW	26.0/28.0 [660/711]	.50[12.7] SKIN
BLACK	26.0/28.0 [660/711]	.50[12.7] SKIN
BLUE	26.0/28.0 [660/711]	.50[12.7] SKIN
RED	26.0/28.0 [660/711]	.50[12.7] SKIN
COLOR	LENGTH	TERMINAL OR STRIP LENGTH

NOTE:
 1. SNAP RINGS 615035 4 X TO BE PACKED WITH EACH MOTOR
 2. THE SYMBOL OF CTQ: ▲ (NO CTQ ON THIS DRAWING)
 3. MEET THE REQUIREMENT OF ROHS AND REACH: SEE EP000014_5.1

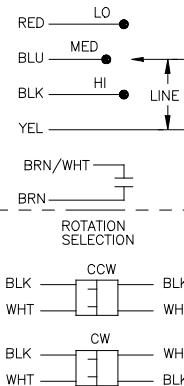
MAIN FRAME - OLE	OPEN
END FRAME - OLE	OPEN
MAIN FRAME - LE	OPEN
END FRAME - LE	OPEN

CUSTOMER DISTRIBUTION SERVICES

NAMEPLATE DATA:

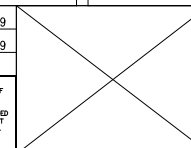
MODEL NO.: F48A29A01
 CUST. P/N: 7FD1026
 HP: 1/4
 ROT.: REVERSIBLE
 RPM: 1075/3 SPD
 TYPE: UF
 FRAME: 48Y
 VOLTS: 277
 PH: 1
 AMPS: 1.3(1.6 MAX)
 HZ: 60
 INS.: B
 AMB.: 50° C
 DUTY: AIR OVER
 CAP.: 5 MFD/370V
 ENCL: OPEN
 UL LOGO
 CSA LOGO
 THERMALLY PROTECTED

EXTERNAL CONNECTION DIAGRAM



PERFORMANCE CURVE NO.	TORQUE @ 1075 RPM (25°C)	APPROVED SAMPLE	UL COMPONENT				CSA	
			FILE #	CCN #	FILE #	CLASS #		
C23306	18.2 OZ. FT.	EX11391	E46412	PRGY2	LR43341	4211-01		

DRAWING REVISION/REVISION BY	DATE
D JUDY.ZHU	10-18-2019
ECCO-0175099 APPROVED BY	DATE
DEXIAN.LI	10-18-2019
ADD NOTES AND CHANGE FROM SLEEVE TO BALL	
COPYRIGHT REGAL BELOIT AMERICA, INC. ALL RIGHTS RESERVED. PROPRIETARY AND CONFIDENTIAL INFORMATION - THIS DOCUMENT IS THE PROPERTY OF REGAL BELOIT AMERICA, INC. ("OWNER") AND CONTAINS OWNER'S PROPRIETARY INFORMATION. ANY REPRODUCTION, COPIATION OR OTHER USE WITHOUT THE WRITTEN PERMISSION OF REGAL BELOIT AMERICA, INC. IS STRICTLY PROHIBITED. BY RECEIVING IT, TO AGREE THAT IT, AND/OR ANY PART OF IT, SHALL NOT BE DISCLOSED TO ANY PERSON, CORPORATION OR OTHER ENTITY, UNLESS, AND/OR USED EXCEPT AS EXPRESSLY APPROVED IN WRITING BY OWNER. THIS DOCUMENT SHALL BE RETURNED TO OWNER UPON REQUEST. IT MAY BE SUBJECT TO CERTAIN RESTRICTIONS UNDER APPLICABLE EXPORT CONTROL LAWS AND REGULATIONS.	



DRAWN BY: B.ZHAO	DATE: 01-19-2012	DESCRIPTION: MODEL-RFHP-48FR OUTLINE
APPROVED BY: B.SHEN	DATE: 01-19-2012	MATERIAL: -
PROCESS/FINISH: -	THIRD ANGLE PROJECTION	SIZE DWG NO: 7FD1026
ENCLOSURE		SHEET 1