

# PRODUCT INFORMATION PACKET



Model No: 7FD1024S  
Catalog No: 7FD1024S  
1/4 HP Fan & Blower Motor, 1625 RPM, 277 Volts, 48 Frame, Semi Enclosed  
Direct Drive Motors



Regal and Century are trademarks of Regal Beloit Corporation or one of its affiliated companies.  
©2020 Regal Beloit Corporation, All Rights Reserved. MC017097E





**Nameplate Specifications**

Output HP	1/4 Hp	Output KW	0.19 kW
Frequency	60 Hz	Voltage	277 V
Current	1.35 A	Speed	1625 rpm
Service Factor	1	Phase	1
Duty	Air Over	Insulation Class	A
Frame	48Y	Enclosure	Semi Enclosed
Thermal Protection	Automatic	Ambient Temperature	50 °C
UL	Recognized	CSA	Y
CE	N		

**Technical Specifications**

Electrical Type	Permanent Split Capacitor	Starting Method	Across The Line
Poles	4	Rotation	Reversible
Mounting	Resilient Rings	Motor Orientation	Any
Drive End Bearing	Sleeve	Opp Drive End Bearing	Sleeve
Frame Material	Rolled Steel	Shaft Type	Flat
Overall Length	12.99 in	Frame Length	3.88 in
Shaft Diameter	0.500 in	Shaft Extension	8 in
Connection Drawing	614131-242	Outline Drawing	7FD1024S-S01

This is an uncontrolled document once printed or downloaded and is subject to change without notice. Date Created:08/09/2020

**GENERAL INFORMATION:**

SHAFT RUNOUT: .001 [.025] T.I.R. PER INCH LENGTH OF EXTENSION

END PLAY: .010 TO .063 [.254 TO 1.600]

BEARINGS: SLEEVE

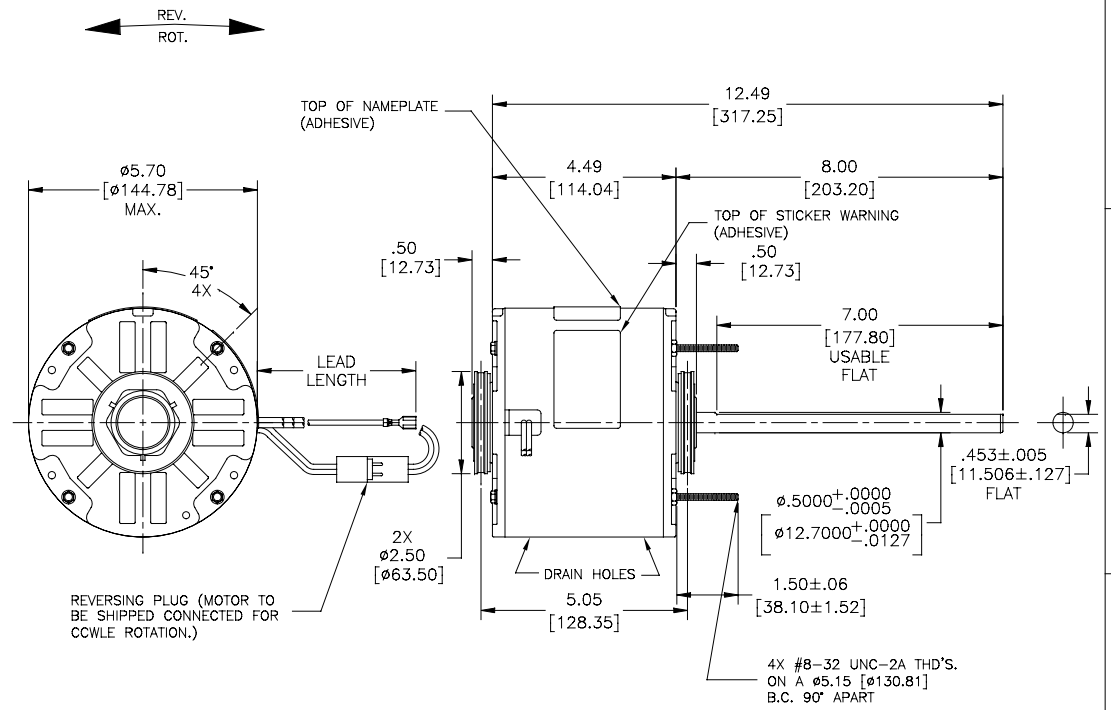
MOUNTING POSITION: ALL ANGLE

**ELECTRICAL DATA:**

OVERLOAD PROTECTOR: AUTOMATIC RESET (T.I. 7AM 032)

LEADS: NO. 18 GA., .06 [1.52] THK. EPDM 125°C INSUL.

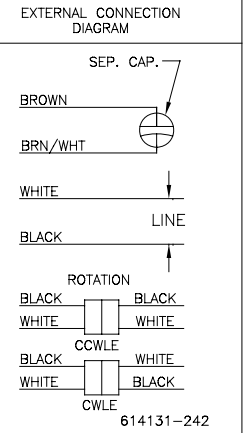
REVERSING PLUGS: NO. 18 GA., .03 [.76] THK. XLP 125°C INSUL.



REVERSING PLUG (MOTOR TO BE SHIPPED CONNECTED FOR CCWLE ROTATION.)

**NAMEPLATE DATA:**

MODEL NO.: F48J47A01  
 CUST. P/N: 7FD1024S  
 HP: 1/4  
 ROT.: REVERSIBLE  
 RPM: 1625  
 TYPE: UF  
 FRAME: 48Y  
 VOLTS: 277  
 PH: 1  
 AMPS: 1.35 (2.0 MAX.)  
 HZ: 60  
 INS.: A  
 AMB.: 50° C  
 DUTY: AIR OVER  
 CAP.: 3 MFD/370 V  
 ENCL: SEMI-ENCL.  
 UL LOGO  
 CSA LOGO  
 THERMALLY PROTECTED



BLACK/WHITE	3.0/5.0 [76.2/127.0]	REVERSING PLUG
BROWN	14.0/16.0 [355.6/406.4]	.25 [6.35] FEMALE SPADE
BROWN/WHITE	14.0/16.0 [355.6/406.4]	.25 [6.35] FEMALE SPADE
WHITE	14.0/16.0 [355.6/406.4]	.25 [6.35] FEMALE SPADE
BLACK	14.0/16.0 [355.6/406.4]	.25 [6.35] FEMALE SPADE
COLOR	LENGTH	TERMINAL OR STRIP LENGTH
LEAD DATA		

MAIN FRAME - OLE	ENCLOSED
END FRAME - OLE	OPEN
MAIN FRAME - LE	ENCLOSED
END FRAME - LE	OPEN
ENCLOSURE	

CUSTOMER	DISTRIBUTION SERVICE
----------	----------------------

PERFORMANCE CURVE NO.	TORQUE @1725 RPM (25°C)	APPROVED SAMPLE	UL COMPONENT	CSA
C23443	11.0 OZ. FT.	EX11532	FILE # CCN # FILE # CLASS #	E46412 PRGY2 LR43341 4211-01

DRAWING REVISION	REVISION BY	DATE
C	J.CHAH	02-18-2016
ECC	APPROVED BY	DATE
0087040	C.ZHANG	02-18-2016
TECD DESCRIPTION		
SEE ECC		

DRAWN BY:	J.RUPERT
DATE:	05-13-2011
APPROVED BY:	J.RUPERT
DATE:	05-13-2011
PROCESS/FINISH	
THIRD ANGLE PROJECTION	

<b>Regal Beloit America, Inc.</b>	
DESCRIPTION	MODEL-RFHP-48FR OUTLINE
MATERIAL	
SIZE DWG NO	C 7FD1024S
SHEET	1

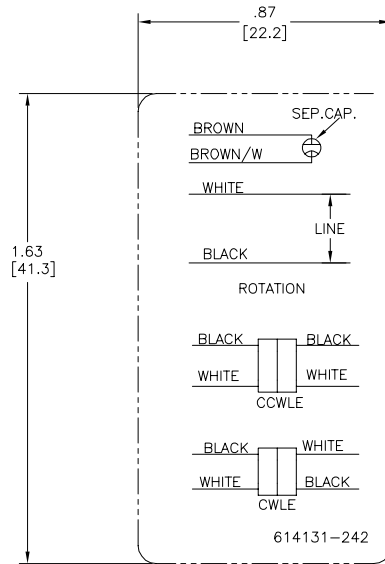
4

3

2

1

REV	ECO	REV BY	DATE	APPD	DATE
D	0029048	D.RODRIGUEZ	10-18-2012	J.HESS	10-18-2012



- NOTES:  
 1. FOR USE WITH 614129 OR 2513020-001 NAMEPLATE BLANKS  
 2. ----- INDICATES DIMENSION LIMITS

GEOMETRIC CHARACTERISTICS & SYMBOLS	
▭	FLATNESS
—	STRAIGHTNESS
∠	ANGULARITY
⊥	PERPENDICULARITY (SQUARENESS)
//	PARALLELISM
○	ROUNDNESS (CIRCULARITY)
⊘	CYLINDRICITY
△	PROFILE OF ANY SURFACE
∩	PROFILE OF ANY LINE
⌀	RUNOUT
⊕	TRUE POSITION
◎	CONCENTRICITY
⊖	SYMMETRY

UNLESS OTHERWISE SPECIFIED DIM. TOLERANCES ARE AS FOLLOWS:	
INCH	±.1 ±.02 ±.005 ±.0005
mm	±0.5 ±0.13 ±0.013
ANG. ±.50 DEG	
REMOVE BURRS & BREAK SHARP EDGES:	
INCH	.003-.015
mm	0.1-.4
CORNER FILLETS TO:	
INCH	.020
mm	0.5
MACHINE SURFACES:	
INCH	125
mm	3.2
METRIC DIMS. SHOWN IN [BRACKETS]	

DR BY:	YL	04-15-2011
APPD:	HZ	04-15-2011
THIRD ANGLE PROJECTION		EDS DATE 11-11-2011 FORMAT REV H
CONFIDENTIAL: THIS DRAWING AND ITS INFORMATION ARE THE EXCLUSIVE AND CONFIDENTIAL PROPERTY OF REGAL-BELOIT CORPORATION AND ARE NOT TO BE DISCLOSED, DUPLICATED, DISTRIBUTED OR OTHERWISE USED WITHOUT THE WRITTEN CONSENT OF REGAL-BELOIT CORPORATION. -ALL RIGHTS RESERVED.		

<b>REGAL-BELOIT CORPORATION</b>	
DESCRIPTION CONN DIAGRAM-NAMEPLATE	
SIZE C	DWG NO 614131-242
SCALE NONE	SHEET 1

4

3

2

1

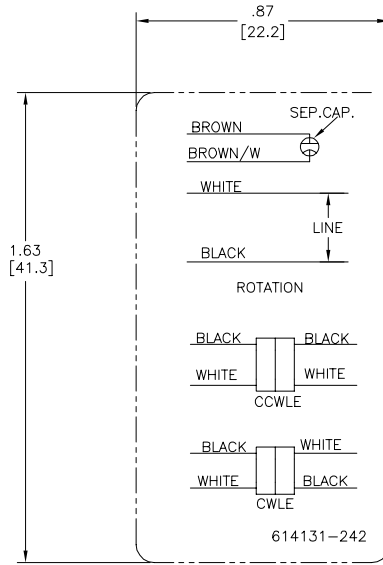
4

3

2

1

REVISION:	ECO	REVISADO POR:	FECHA:	APROBADO POR:	FECHA:
D	0029048	D.RODRIGUEZ	10-18-2012	J.HESS	10-18-2012



NOTAS:  
 1. PARA USO CON PLACA DE DATOS EN BLANCO REGAL-BELOIT BANKS  
 2. INDICATES DIMENSION LIMITS  
 2. INDICA LIMITES DE DIMENSION

CARACTERISTICAS DE GEOMETRIA Y SIMBOLOS ▽ PLANICIDAD — RECTITUD ∠ ANGULARIDAD ⊥ PERPENDICULARIDAD (A ESQUADRA) // PARALELISMO ○ REDONDEZ (CIRCULARIDAD) ⌀ CILINDRICIDAD ⊖ PERFIL DE CUALQUIER SUPERFICIE ∩ PERFIL DE CUALQUIER LINEA † VARIACION ⊕ POSICION REAL ⊙ CONCENRICIDAD ≡ SIMETRIA	A MENOS QUE SE ESPECIFIQUE DE OTRA MANERA, LAS TOLERANCIAS DE LAS DIMS. SON LAS SIGUIENTES: PULG ±.1 ±.02 ±.005 ±.0005 mm ±0.5 ±0.13 ±0.013 ANG. ±50 GRADOS ELIMINAR REBABAS Y ORILLAS FILOSAS DEL BORDE. PULG .003-.015 mm 0.1-0.4 FILETEAR ESQUINA: PULG .020 mm 0.5 MAQUINAR SUPERFICIES PULG 125 mm 3.2 DIMS METRICAS MOSTRADAS [PARENTESIS]	DIBUJADO POR: YL	04-15-2011	<b>REGAL-BELOIT CORPORATION</b>
		APROBADO POR: HZ	04-15-2011	
		TERCER ANGULO DE PROYECCION	FECHA EDS: 11-11-2011 REV. FORMATO: H	TAMAÑO: C
		CONFIDENCIAL: ESTE DIBUJO Y SU INFORMACION SON PROPIEDAD DE USO EXCLUSIVO Y CONFIDENCIAL DE REGAL-BELOIT CORPORATION. Y NO DEBERAN SER REVELADOS, DUPLICADOS, DISTRIBUIDOS O USARSE DE OTRA MANERA SIN EL CONSENTIMIENTO ESCRITO DE REGAL-BELOIT CORPORATION. -TODOS LOS DERECHOS RESERVADOS.		NUMERO DE DIBUJO: 614131-242
		ESCALA: NONE		HOJA: 1

4

3

2

1