

# PRODUCT INFORMATION PACKET



Model No: 7DB6408

Catalog No: 7DB6408

1/10-1/15-1/20-1/25 HP Fan Coil / Room Air Conditioner Motor, 1050 RPM, 4 Speed, 277 Volts, 42 Frame, OAO  
Fan Coil / Room Air Conditioner Motors



Regal and Century are trademarks of Regal Beloit Corporation or one of its affiliated companies.  
©2020 Regal Beloit Corporation, All Rights Reserved. MC017097E

The REGAL logo is a grey, trapezoidal shape with the word 'REGAL' in white, bold, uppercase letters inside. It is positioned on a blue, textured vertical bar that runs down the right side of the page.

REGAL



**Nameplate Specifications**

Output HP	1/10,1/15,1/20,1/25 Hp	Output KW	0.07 kW
Frequency	60 Hz	Voltage	277 V
Current	1.3, 0.8, 0.7, 0.6 A	Speed	1050 rpm
Service Factor	1	Phase	1
Duty	Air Over	Insulation Class	A
Frame	42Y	Enclosure	Open Air Over
Thermal Protection	Automatic	Ambient Temperature	40 °C
UL	Recognized	CSA	Y
CE	N		

**Technical Specifications**

Electrical Type	Shaded Pole	Starting Method	Across The Line
Poles	6	Rotation	Counterclockwise Lead End
Mounting	Resilient Base	Motor Orientation	Horizontal
Drive End Bearing	Sleeve	Opp Drive End Bearing	Sleeve
Frame Material	Rolled Steel	Shaft Type	Flat
Overall Length	22.00 in	Shaft Diameter	0.500 in
Shaft Extension	9.3X.5X9.3 in		
Outline Drawing	11927-030	Connection Drawing	263B929F03

This is an uncontrolled document once printed or downloaded and is subject to change without notice. Date Created:06/11/2020

GENERAL INFORMATION:

SHAFT RUNOUT: .001[.03] T.I.R. PER INCH LENGTH OF EXTENSION

END PLAY: .010[.25] TO .063[1.60]

BEARINGS: SLEEVE

MOUNTING POSITION: HORIZONTAL

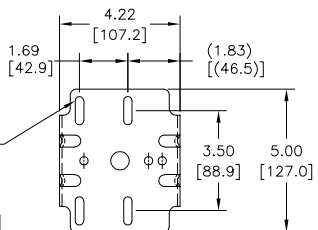
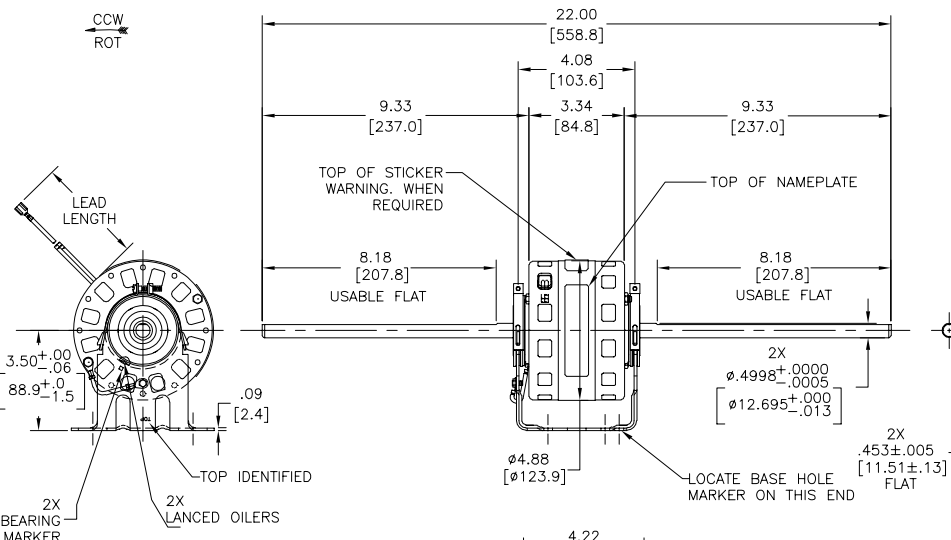
ELECTRICAL DATA:

OVERLOAD PROTECTOR: AUTOMATIC RESET (T.I. 7AM 034)

LEADS: NO. 18 GA., .03[.8] THK., 125°C INSULATION

GROUND LEAD: NO. 18 GA., .03[.8] THK., GREEN INSULATION

REV	ECO	REV BY	DATE	APPD	DATE
D	0025528	E.SINECIO	04-24-2012	R.RASCON	04-24-2012



GREEN (GRD)	CONNECTED TO BASE	#8 EYELET
RED	38.5/41.5 [978/1054]	.25[6.4] FEMALE SPADE
BLUE	38.5/41.5 [978/1054]	.25[6.4] FEMALE SPADE
YELLOW	38.5/41.5 [978/1054]	.25[6.4] FEMALE SPADE
BLACK	38.5/41.5 [978/1054]	.25[6.4] FEMALE SPADE
PURPLE	38.5/41.5 [978/1054]	.25[6.4] FEMALE SPADE
COLOR	LENGTH	TERMINAL OR STRIP LENGTH

MAIN FRAME - OLE	OPEN
END FRAME - OLE	OPEN
MAIN FRAME - LE	OPEN
END FRAME - LE	OPEN

NAMEPLATE DATA:	EXTERNAL CONNECTION DIAGRAM
MODEL NO.: 322P226 CUST. P/N: 7DB6408 HP: 1/10,1/15,1/20,1/25 ROT.: CCWLE RPM: 1050 TYPE: FE FRAME: 42Y VOLTS: 277 PH: 1 AMPS: 1.3, 0.8, 0.7, 0.6 HZ: 60 INS.: A AMB.: 40° C DUTY: AIR OVER CAP.: - ENCL: - UL LOGO CSA LOGO THERMALLY PROTECTED TYPE T	

PERFORMANCE CURVE NO.	TORQUE @ 1050 RPM (50°C)	APPROVED SAMPLE	UL COMPONENT	CSA
C32123	6.5 OZ. FT.	PSB 7886	E46412 PRGY2	LR43341 4211-01

GEOMETRIC CHARACTERISTICS & SYMBOLS	
□	FLATNESS
-	STRAIGHTNESS
∠	ANGULARITY
⊥	PERPENDICULARITY (SQUARENESS)
∥	PARALLELISM
○	ROUNDNESS (CIRCULARITY)
⊙	CYLINDRICITY
⌒	PROFILE OF ANY SURFACE
⌒	PROFILE OF ANY LINE
↑	RUNOUT
⊕	TRUE POSITION
⊙	CONCENTRICITY
↔	SYMMETRY

ASME Y14.5M 1994

REGAL-BELOIT CORPORATION (RBC) PROVIDES TECHNICAL ASSISTANCE TO OUR CUSTOMERS IN SEVERAL AREAS. SINCE RBC DOES NOT RECEIVE ALL DATA CONCERNING THE USE AND APPLICATION OF THE MOTOR, THE SUITABILITY OF THE MOTOR FOR THE APPLICATION MUST BE DETERMINED BY THE CUSTOMER.

DIMENSIONS WITHOUT TOLERANCES ARE FOR REFERENCE ONLY.

DR BY: J.RUPERT	02-27-1996
APPD: W.HEATH	03-02-1996
THIRD ANGLE PROJECTION	EDS DATE 02-22-2008 FORMAT REV C

CONFIDENTIAL: THIS DRAWING AND ITS INFORMATION ARE THE EXCLUSIVE AND CONFIDENTIAL PROPERTY OF REGAL-BELOIT CORPORATION AND ARE NOT TO BE DISCLOSED, DUPLICATED, DISTRIBUTED OR OTHERWISE USED WITHOUT THE WRITTEN CONSENT OF REGAL-BELOIT CORPORATION. -ALL RIGHTS RESERVED.

REGAL-BELOIT CORPORATION	DESCRIPTION: MODEL-RFHP-42FR OUTLINE
SIZE: C	DWG NO: 11927-030
SCALE: NONE	SHEET 1

<p><b>INFORMACION GENERAL:</b></p> <p>OSCILACION DE FLECHA: -</p> <p>JUEGO AXIAL: -</p> <p>BALEROS: -</p> <p>POSICION DEL MONTAJE: -</p> <p><b>INFORMACION ELECTRICA:</b></p> <p>PROTECTOR DE SOBRECARGA: -</p> <p>CABLES: -</p> <p>CABLE DE TIERRA: -</p>		<table border="1" style="width:100%; border-collapse: collapse;"> <tr> <td>REVISION:</td> <td>ECO</td> <td>REVISADO POR:</td> <td>FECHA:</td> <td>APROBADO POR:</td> <td>FECHA:</td> </tr> <tr> <td>D</td> <td>0025528</td> <td>E.SINECIO</td> <td>04-24-2012</td> <td>R.RASCON</td> <td>04-24-2012</td> </tr> </table>	REVISION:	ECO	REVISADO POR:	FECHA:	APROBADO POR:	FECHA:	D	0025528	E.SINECIO	04-24-2012	R.RASCON	04-24-2012	<table border="1" style="width:100%; border-collapse: collapse;"> <tr> <td>MODEL NO.:</td> <td>322P226</td> </tr> <tr> <td>CUST. P/N:</td> <td>7DB6408</td> </tr> <tr> <td>HP:</td> <td>1/10,1/15,1/20,1/25</td> </tr> <tr> <td>ROT.:</td> <td>CCWLE</td> </tr> <tr> <td>RPM:</td> <td>1050</td> </tr> <tr> <td>TYPE:</td> <td>FE</td> </tr> <tr> <td>FRAME:</td> <td>42Y</td> </tr> <tr> <td>VOLTS:</td> <td>277</td> </tr> <tr> <td>PH:</td> <td>1</td> </tr> <tr> <td>AMPS:</td> <td>1.3, 0.8, 0.7, 0.6</td> </tr> <tr> <td>HZ:</td> <td>60</td> </tr> <tr> <td>INS.:</td> <td>A</td> </tr> <tr> <td>AMB.:</td> <td>40° C</td> </tr> <tr> <td>DUTY:</td> <td>AIR OVER</td> </tr> <tr> <td>CAP.:</td> <td>-</td> </tr> <tr> <td>ENCL.:</td> <td>-</td> </tr> <tr> <td>UL LOGO</td> <td>-</td> </tr> <tr> <td>CSA LOGO</td> <td>-</td> </tr> <tr> <td>THERMALLY PROTECTED</td> <td>-</td> </tr> <tr> <td>TYPE T</td> <td>-</td> </tr> </table>	MODEL NO.:	322P226	CUST. P/N:	7DB6408	HP:	1/10,1/15,1/20,1/25	ROT.:	CCWLE	RPM:	1050	TYPE:	FE	FRAME:	42Y	VOLTS:	277	PH:	1	AMPS:	1.3, 0.8, 0.7, 0.6	HZ:	60	INS.:	A	AMB.:	40° C	DUTY:	AIR OVER	CAP.:	-	ENCL.:	-	UL LOGO	-	CSA LOGO	-	THERMALLY PROTECTED	-	TYPE T	-
REVISION:	ECO	REVISADO POR:	FECHA:	APROBADO POR:	FECHA:																																																		
D	0025528	E.SINECIO	04-24-2012	R.RASCON	04-24-2012																																																		
MODEL NO.:	322P226																																																						
CUST. P/N:	7DB6408																																																						
HP:	1/10,1/15,1/20,1/25																																																						
ROT.:	CCWLE																																																						
RPM:	1050																																																						
TYPE:	FE																																																						
FRAME:	42Y																																																						
VOLTS:	277																																																						
PH:	1																																																						
AMPS:	1.3, 0.8, 0.7, 0.6																																																						
HZ:	60																																																						
INS.:	A																																																						
AMB.:	40° C																																																						
DUTY:	AIR OVER																																																						
CAP.:	-																																																						
ENCL.:	-																																																						
UL LOGO	-																																																						
CSA LOGO	-																																																						
THERMALLY PROTECTED	-																																																						
TYPE T	-																																																						
<table border="1" style="width:100%; border-collapse: collapse;"> <tr> <th>INFORMACION DE ETIQUETA:</th> <th>DIAGRAMA DE CONEXION EXTRNA</th> </tr> <tr> <td> <p>RED — LO</p> <p>BLU — ML</p> <p>YEL — MH</p> <p>BLK — HI</p> <p>PUR — LINE</p> </td> <td> </td> </tr> </table>	INFORMACION DE ETIQUETA:	DIAGRAMA DE CONEXION EXTRNA	<p>RED — LO</p> <p>BLU — ML</p> <p>YEL — MH</p> <p>BLK — HI</p> <p>PUR — LINE</p>		<table border="1" style="width:100%; border-collapse: collapse;"> <tr> <td>38.5/41.5</td> <td></td> <td></td> </tr> <tr> <td>[978/1054]</td> <td></td> <td></td> </tr> <tr> <td>-</td> <td>38.5/41.5</td> <td>-</td> </tr> <tr> <td></td> <td>[978/1054]</td> <td></td> </tr> <tr> <td>-</td> <td>38.5/41.5</td> <td>-</td> </tr> <tr> <td></td> <td>[978/1054]</td> <td></td> </tr> <tr> <td>-</td> <td>38.5/41.5</td> <td>-</td> </tr> <tr> <td></td> <td>[978/1054]</td> <td></td> </tr> <tr> <td>-</td> <td>38.5/41.5</td> <td>-</td> </tr> <tr> <td></td> <td>[978/1054]</td> <td></td> </tr> </table>	38.5/41.5			[978/1054]			-	38.5/41.5	-		[978/1054]		-	38.5/41.5	-		[978/1054]		-	38.5/41.5	-		[978/1054]		-	38.5/41.5	-		[978/1054]		<table border="1" style="width:100%; border-collapse: collapse;"> <tr> <td>CURVAS DE FUNCIONAMIENTO</td> <td>TORSION @1050 RPM (50°C)</td> <td>MUESTRA APROBADA</td> <td>COMPONENTE UL</td> <td>CSA</td> </tr> <tr> <td>C32123</td> <td>6.5 OZ. FT.</td> <td>PSB 7886</td> <td>E46412 PRGY2</td> <td>LR43341 4211-01</td> </tr> </table>	CURVAS DE FUNCIONAMIENTO	TORSION @1050 RPM (50°C)	MUESTRA APROBADA	COMPONENTE UL	CSA	C32123	6.5 OZ. FT.	PSB 7886	E46412 PRGY2	LR43341 4211-01	<table border="1" style="width:100%; border-collapse: collapse;"> <tr> <td>CARCASA - LOC</td> <td>-</td> </tr> <tr> <td>TAPA - LOC</td> <td>-</td> </tr> <tr> <td>CARCASA - LC</td> <td>-</td> </tr> <tr> <td>TAPA - LC</td> <td>-</td> </tr> </table>	CARCASA - LOC	-	TAPA - LOC	-	CARCASA - LC	-	TAPA - LC	-
INFORMACION DE ETIQUETA:	DIAGRAMA DE CONEXION EXTRNA																																																						
<p>RED — LO</p> <p>BLU — ML</p> <p>YEL — MH</p> <p>BLK — HI</p> <p>PUR — LINE</p>																																																							
38.5/41.5																																																							
[978/1054]																																																							
-	38.5/41.5	-																																																					
	[978/1054]																																																						
-	38.5/41.5	-																																																					
	[978/1054]																																																						
-	38.5/41.5	-																																																					
	[978/1054]																																																						
-	38.5/41.5	-																																																					
	[978/1054]																																																						
CURVAS DE FUNCIONAMIENTO	TORSION @1050 RPM (50°C)	MUESTRA APROBADA	COMPONENTE UL	CSA																																																			
C32123	6.5 OZ. FT.	PSB 7886	E46412 PRGY2	LR43341 4211-01																																																			
CARCASA - LOC	-																																																						
TAPA - LOC	-																																																						
CARCASA - LC	-																																																						
TAPA - LC	-																																																						
<p><b>CARACTERISTICAS DE GEOMETRIA Y SIMBOLOS</b></p> <ul style="list-style-type: none"> <li>□ PLANICIDAD</li> <li>— RECTITUD</li> <li>∠ ANGULARIDAD</li> <li>⊥ PERPENDICULARIDAD (A ESCUADRA)</li> <li>// PARALELISMO</li> <li>○ REDONDEZ (CIRCULARIDAD)</li> <li>⊘ CILINDRICIDAD</li> <li>⊖ PERFIL DE CUALQUIER SUPERFICIE</li> <li>⊖ PERFIL DE CUALQUIER LINEA</li> <li>↑ VARIACION</li> <li>⊕ POSICION REAL</li> <li>⊙ CONCENRICIDAD</li> <li>≡ SIMETRIA</li> </ul> <p style="text-align: right;">ASME Y14.5M 1994</p>	<p>REGAL-BELOIT CORPORATION (RBC) PROVEE ASISTENCIA TECNICA A NUESTROS CLIENTES EN VARIAS AREAS. DESDE QUE RBC NO RECIBE TODOS LOS DATOS EN RELACION AL USO Y A LA APLICACION DEL MOTOR, LA APLICACION ADECUADA DEL MOTOR DEBE SER DETERMINADA POR EL CLIENTE.</p> <p>DIMENSIONES SIN TOLERANCIA SON DE REFERENCIA SOLAMENTE</p>	<p>DIBUJADO POR: J.RUPERT 02-27-1996</p> <p>APROBADO POR: W.HEATH 03-02-1996</p> <p>TERCER ANGULO DE PROYECCION</p> <p>FECHA EDS: 02-22-2008</p> <p>REV. FORMATO: G</p> <p>CONFIDENCIAL: ESTE DIBUJO Y SU INFORMACION SON PROPIEDAD DE USO EXCLUSIVO Y CONFIDENCIAL DE REGAL-BELOIT CORPORATION. Y NO DEBERAN SER REVELADOS, DUPLICADOS, DISTRIBUIDOS O USARSE DE OTRA MANERA SIN EL CONSENTIMIENTO ESCRITO DE REGAL-BELOIT CORPORATION. -TODOS LOS DERECHOS RESERVADOS.</p>	<p>DESCRIPCION: MODEL-RFHP-42FR OUTLINE</p> <p>TAMAÑO: C NUMERO DE DIBUJO: 11927-030</p> <p>ESCALA: NONE</p> <p>HOJA: 1</p>																																																				

