

PRODUCT INFORMATION PACKET



Model No: 799
Catalog No: 799
1/8-1/10-1/15-1/20-1/30 HP OEM Replacement Motor, 1000 RPM, 5 Speed, 115 Volts, 42 Frame, OAO
HVAC/R OEM Replacement Motors



Regal and Century are trademarks of Regal Beloit Corporation or one of its affiliated companies.
©2020 Regal Beloit Corporation, All Rights Reserved. MC017097E

REGAL



Nameplate Specifications

Output HP	1/8, 1/10, 1/15, 1/20, 1/30 Hp	Output KW	0.10 kW
Frequency	60 Hz	Voltage	115 V
Current	2.6 A	Speed	1000 rpm
Service Factor	1	Phase	1
Duty	Continuous Air Over	Insulation Class	B
Frame	42	Enclosure	Open Air Over
Thermal Protection	Automatic	Ambient Temperature	40 °C
UL	Recognized	CSA	N
CE	N		

Technical Specifications

Electrical Type	Permanent Split Capacitor	Starting Method	Across The Line
Poles	6	Rotation	Clockwise Shaft End
Mounting	Lug	Motor Orientation	Horizontal
Drive End Bearing	Sleeve	Opp Drive End Bearing	Sleeve
Frame Material	Rolled Steel	Shaft Type	Flat
Overall Length	7.47 in	Frame Length	3.17 in
Shaft Diameter	0.500 in	Shaft Extension	5.080 in
Outline Drawing	799-S01		

This is an uncontrolled document once printed or downloaded and is subject to change without notice. Date Created:10/09/2020

CUSTOMER IS SOLELY RESPONSIBLE FOR MOTOR PERFORMANCE AND SUITABILITY IN APPLICATIONS FOR CUSTOMER'S USES

REV	ECO	REV BY	DATE	APPD	DATE
B	0028999	A. ESCOBAR	10-16-2012	R. RASCON	10-16-2012

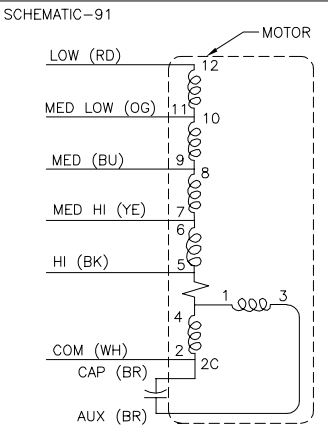
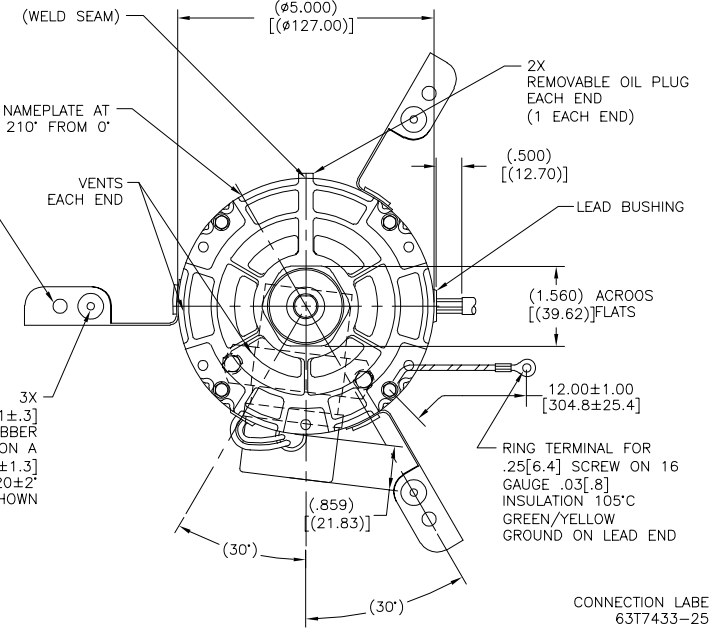
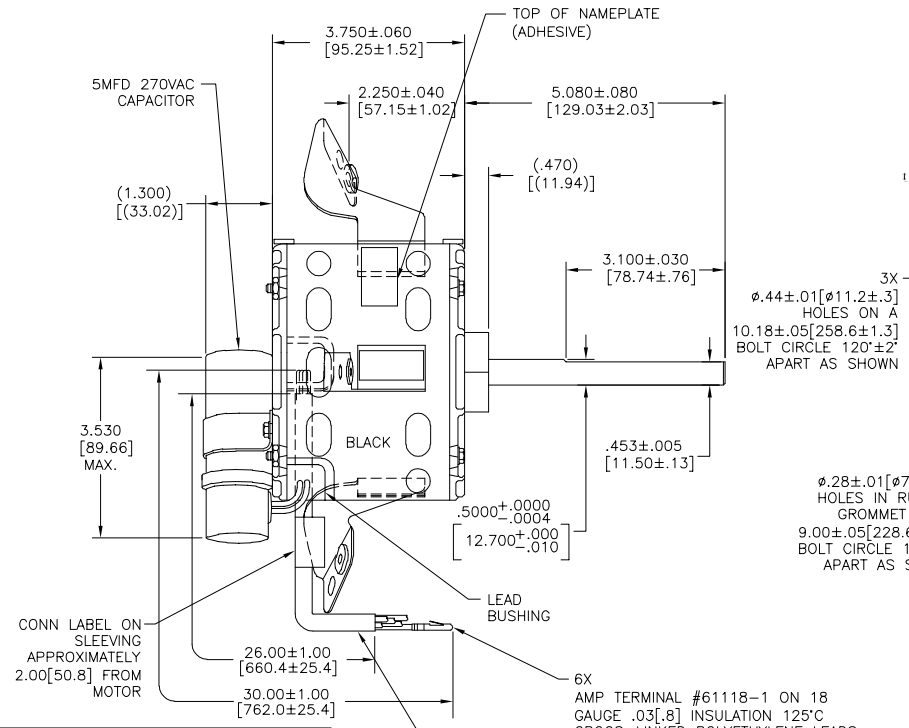
END PLAY .005[.13] MINIMUM - .040[1.02] MAXIMUM
 MAXIMUM SHAFT RUN OUT .001[.03] PER INCH
 MAXIMUM RUN OUT NOT TO EXCEED .010[.25]

D

C

B

A



SHIP SEPARATE IN INDIVIDUAL PACK:
72T7176A-36 BAG ASSEMBLY

SHIP SEPARATE IN TRAY PACK:
72T7177A-22 BAG ASSEMBLY

GEOMETRIC CHARACTERISTICS & SYMBOLS
 □ FLATNESS
 - STRAIGHTNESS
 < ANGLARITY
 ⊥ PERPENDICULARITY (SQUARENESS)
 // PARALLELISM
 ○ ROUNDNESS (CIRCULARITY)
 ∅ CYLINDRICITY
 ~ PROFILE OF ANY SURFACE
 ~ PROFILE OF ANY LINE
 † RUNOUT
 + TRUE POSITION
 ⊙ CONCENTRICITY
 = SYMMETRY
 ASME Y14.5M 1994

REGAL-BELOIT CORPORATION (RBC) PROVIDES TECHNICAL ASSISTANCE TO OUR CUSTOMERS IN SEVERAL AREAS. SINCE RBC DOES NOT RECEIVE ALL DATA CONCERNING THE USE AND APPLICATION OF THE MOTOR, THE SUITABILITY OF THE MOTOR FOR THE APPLICATION MUST BE DETERMINED BY THE CUSTOMER.

DIMENSIONS WITHOUT TOLERANCES ARE FOR REFERENCE ONLY.

DR BY:	J.M.RAMIREZ	06-22-2011
APPD:	S.JIMENEZ	06-22-2011
THRD ANGLE PROJECTION	EDS DATE 11-11-2011	FORMAT REV H
CONFIDENTIAL: THIS DRAWING AND ITS INFORMATION ARE THE EXCLUSIVE AND CONFIDENTIAL PROPERTY OF REGAL-BELOIT CORPORATION AND ARE NOT TO BE DISCLOSED, DUPLICATED, DISTRIBUTED OR OTHERWISE USED WITHOUT THE WRITTEN CONSENT OF REGAL-BELOIT CORPORATION. -ALL RIGHTS RESERVED.		

MOT: CCWLE-CWSE

NAMEPLATE DATA:

Tipp City, OH
THERMALLY PROTECTED

SER. DATE & PO# PLT LTR MOD DE3E243N' STK NO. 799
 VOLTS 115 HZ 60 AMPS
 RPM 1000 SP PH1 CAP
 INS CL B AMB 40°C HP AO ← ROTATION
 BRG SLV ASSEMBLED IN MEXICO

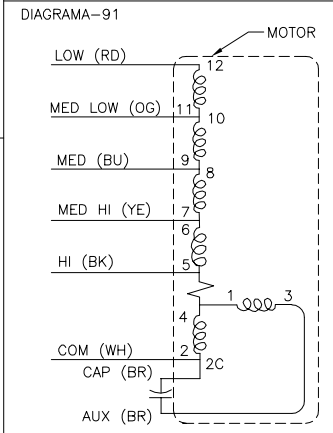
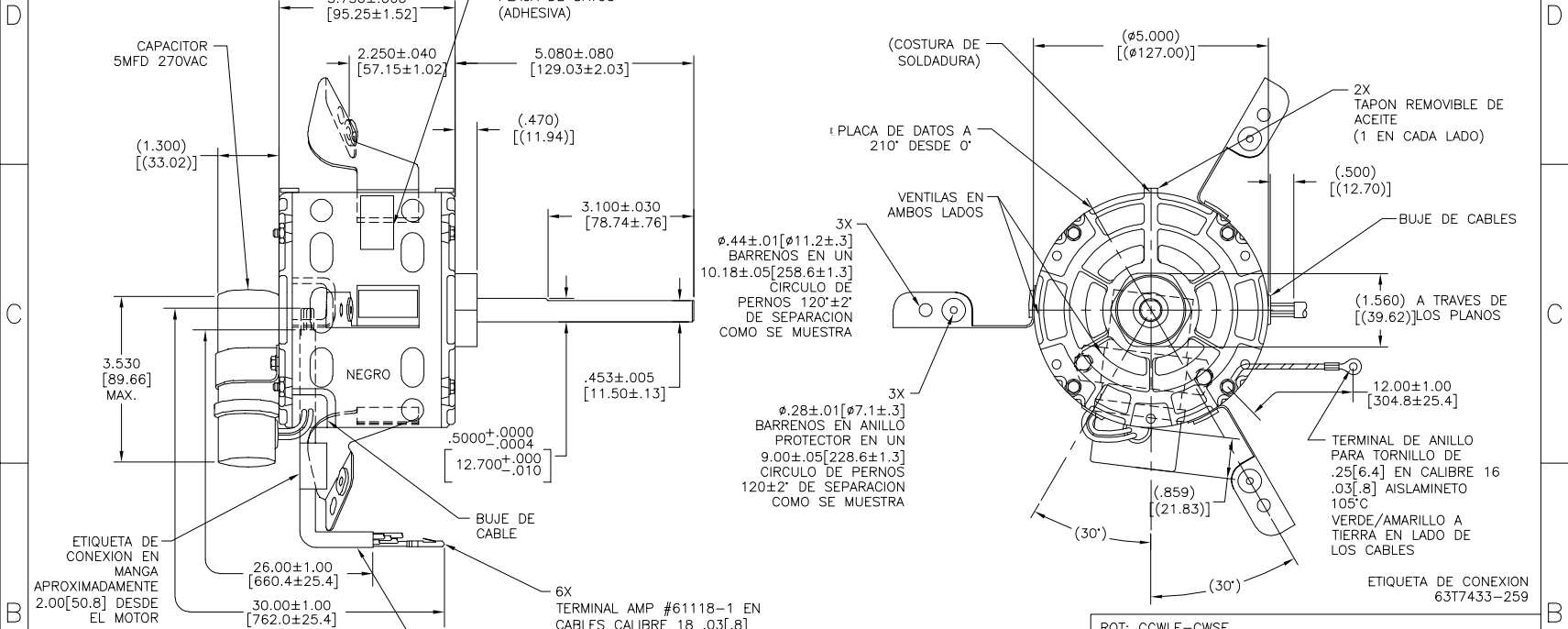
WH-COM BK-HI 2.6A 1/8HP
 YE-MED HI 2.1A 1/10HP BU-MED 1.8A 1/15HP
 OG-MED LOW 1.0A 1/20HP RD-LOW .7A 1/30HP

REGAL REGAL-BELOIT CORPORATION	
DESCRIPTION MODEL-RFHP-42FR OUTLINE	
SIZE C	DWG NO 799
SCALE NONE	SHEET 1

EL CLIENTE ES UNICAMENTE RESPONSABLE POR EL DESEMPEÑO DEL MOTOR Y APLICACIONES APROPIADAS PARA SU USO

REVISION:	ECO	REVISADO POR:	FECHA:	APROBADO POR:	FECHA:
B	0028999	A. ESCOBAR	10-16-2012	R. RASCON	10-16-2012

JUEGO AXIAL .005[.13] MINIMO - .040[1.02] MAXIMO
 OSCILACION MAXIMA DE FLECHA .001[.03] POR PULGADA
 LA OSCILACION MAXIMA NO DEBE EXCEDER .010[.25]



ENVIAR POR SEPARADO EN EMPAQUE INDIVIDUAL: ENSAMBLE DE BOLSA 72T7176A-36
 ENVIAR POR SEPARADO EN CHAROLA EMPACADA: ENSAMBLE DE BOLSA 72T7177A-22

CARACTERISTICAS DE GEOMETRIA Y SIMBOLOS
 ▽ PLANICIDAD
 - RECTITUD
 < ANGLARIDAD
 ⊥ PERPENDICULARIDAD (A ESCUADRA)
 // PARALELISMO
 ○ REDONDEZ (CIRCULARIDAD)
 A CILINDRICIDAD
 ~ PERFIL DE CUALQUIER SUPERFICIE
 ~ PERFIL DE CUALQUIER LINEA
 † VARIACION
 + POSICION REAL
 ⊙ CONCENTRICIDAD
 = SIMETRIA
 ASME Y14.5M 1994

REGAL-BELOIT CORPORATION (RBC) PROVEE ASISTENCIA TECNICA A NUESTROS CLIENTES EN VARIAS AREAS. DESDE QUE RBC NO RECIBE TODOS LOS DATOS EN RELACION AL USO Y A LA APLICACION DEL MOTOR, LA APLICACION ADECUADA DEL MOTOR DEBE SER DETERMINADA POR EL CLIENTE.
 DIMENSIONES SIN TOLERANCIA SON DE REFERENCIA SOLAMENTE

DIBUJADO POR: J.M. RAMIREZ	06-22-2011
APROBADO POR: S. JIMENEZ	06-22-2011
TERCER ANGULO DE PROYECCION	FECHA EDS: 11-11-2011 REV. FORMATO: H
CONFIDENCIAL: ESTE DIBUJO Y SU INFORMACION SON PROPIEDAD DE USO EXCLUSIVO Y CONFIDENCIAL DE REGAL-BELOIT CORPORATION. Y NO DEBERAN SER REVELADOS, DUPLICADOS, DISTRIBUIDOS O USARSE DE OTRA MANERA SIN EL CONSENTIMIENTO ESCRITO DE REGAL-BELOIT CORPORATION. -TODOS LOS DERECHOS RESERVADOS.	

ROT: CCWLE-CWSE

PLACA DE DATOS:

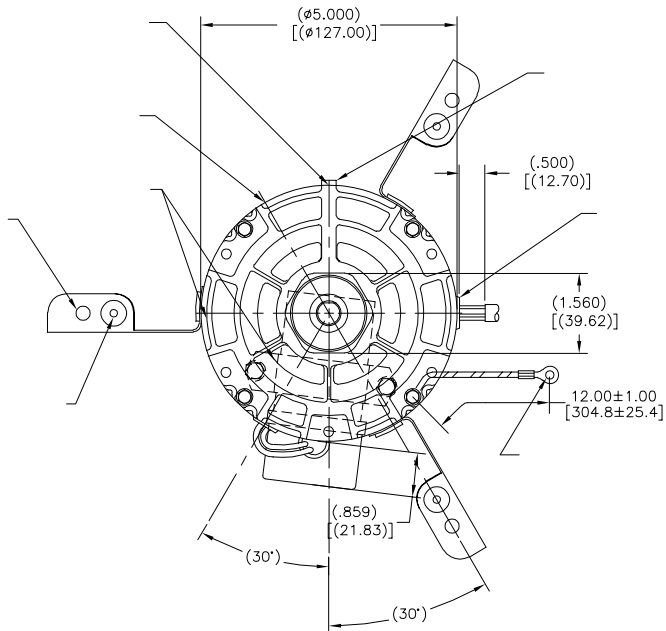
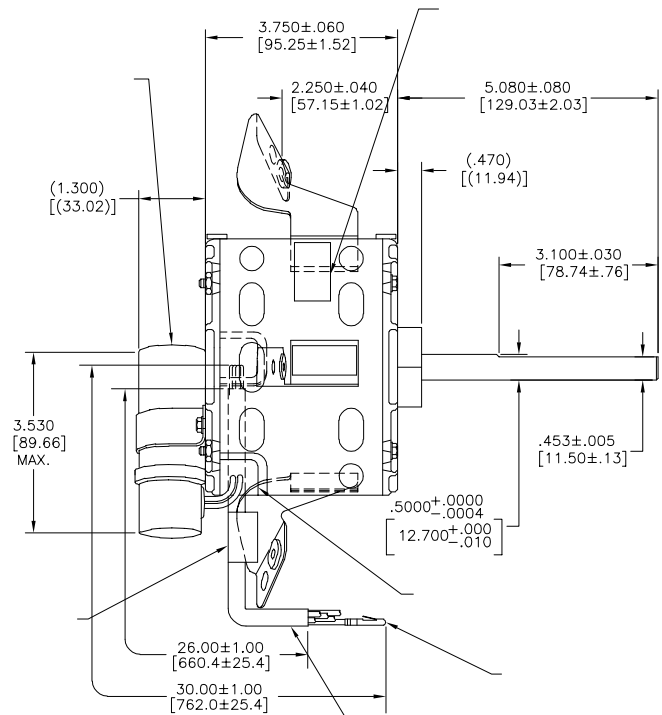
Century Tipp City, OH THERMALLY PROTECTED

SER. DATE & PO# PLT LTR MOD DE3E243N' STK NO. 799
 VOLTS 115 HZ 60 AMPS
 RPM 1000 SP PH1 CAP
 INS CL B AMB 40°C HP AO ← ROTATION
 BRG SLV ASSEMBLED IN MEXICO

WH-COM BK-HI 2.6A 1/8HP
 YE-MED HI 2.1A 1/10HP BU-MED 1.8A 1/15HP
 OG-MED LOW 1.0A 1/20HP RD-LOW .7A 1/30HP

REGAL REGAL-BELOIT CORPORATION	
DESCRIPCION:	MODEL-RFHP-42FR OUTLINE
TAMAÑO:	NUMERO DE DIBUJO: 799
ESCALA: NONE	HOJA: 1

版本	ECO	编制	日期	核准	日期
B	0028999	A. ESCOBAR	10-16-2012	R. RASCON	10-16-2012



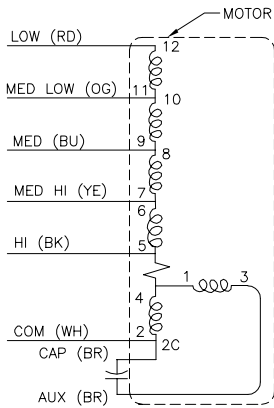
ROT: CCWLE-CWSE



Tipp City, OH
THERMALLY PROTECTED



SER. DATE & PO# PLT LTR MOD DE3E243N' STK NO. 799
 VOLTS 115 HZ 60 AMPS
 RPM 1000 SP PH1 CAP
 INS CL B AMB 40°C HP AO ← ROTATION →
 BRG SLV ASSEMBLED IN MEXICO
 WH-COM BK-HI 2.6A 1/8HP
 YE-MED HI 2.1A 1/10HP BU-MED 1.8A 1/15HP
 OG-MED LOW 1.0A 1/20HP RD-LOW .7A 1/30HP



- 形位公差
- 平面度
- 直线度
- 圆度
- 垂直度
- 平行度
- 同轴度
- 圆跳动
- 位置度
- 对称度

ASME Y14.5M 1994

REGAL-BELOIT CORPORATION (RBC) 在个别领域为客户提供技术支持。鉴于RBC未收到任何涉及电机使用和应用环境的数据，电机的适用性由客户自己决定。

未注公差尺寸仅供参考。

绘图:	J.M.RAMIREZ	06-22-2011
批准:	S.JIMENEZ	06-22-2011
第三角投影		图纸格式发布日期 11-11-2011
机密: 本图纸及相关信息所有权归REGAL-BELOIT CORPORATION。未经REGAL-BELOIT CORPORATION书面授权, 不得泄露、复制、传播或作其他用途。--版权所有	图框格式版本	H

REGAL REGAL-BELOIT CORPORATION

MODEL-RFHP-42FR
OUTLINE

名称	MODEL-RFHP-42FR OUTLINE	
图幅	C	图号
比例	NONE	页号
		1