

PRODUCT INFORMATION PACKET



Model No: 796A
Catalog No: 796A
1/3 HP OEM Replacement Motor, 1075 RPM, 460 Volts, 48 Frame, TEAO
HVAC/R OEM Replacement Motors



Regal and Century are trademarks of Regal Beloit Corporation or one of its affiliated companies.
©2020 Regal Beloit Corporation, All Rights Reserved. MC017097E

The REGAL logo is a grey, trapezoidal shape with the word 'REGAL' in white, bold, uppercase letters.

REGAL



Nameplate Specifications

Output HP	1/3 Hp	Output KW	0.25 kW
Frequency	60 Hz	Voltage	460 V
Current	0.9 A	Speed	1075 rpm
Service Factor	1	Phase	1
Duty	Air Over	Insulation Class	B
Frame	48	Enclosure	Totally Enclosed
Thermal Protection	Automatic	Ambient Temperature	40 °C
UL	Recognized	CSA	Y
CE	N		

Technical Specifications

Electrical Type	Permanent Split Capacitor	Starting Method	Across The Line
Poles	6	Rotation	Reversible
Mounting	Extended Studs	Motor Orientation	Any
Drive End Bearing	Sleeve	Opp Drive End Bearing	Sleeve
Frame Material	Rolled Steel	Shaft Type	Flat
Overall Length	9.26 in	Frame Length	4.00 in
Shaft Diameter	0.500 in	Shaft Extension	4.2 in
Outline Drawing	796A-S01	Connection Drawing	614131-257

This is an uncontrolled document once printed or downloaded and is subject to change without notice. Date Created:10/09/2020

GENERAL INFORMATION:

SHAFT RUNOUT: .001 [.03] T.I.R. PER INCH LENGTH OF EXTENSION

END PLAY: .010 TO .063 [.254 TO 1.600]

BEARINGS: SLEEVE

MOUNTING POSITION: ALL ANGLE

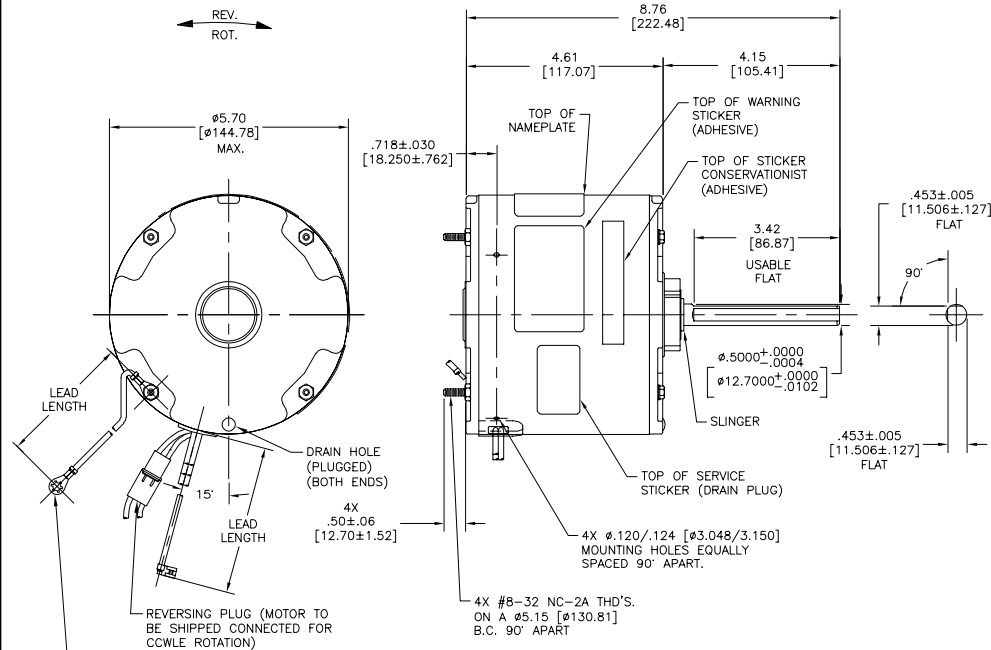
ELECTRICAL DATA:

OVERLOAD PROTECTOR: AUTOMATIC RESET (T.I. 7AM 036)

LEADS: NO. 18 GA., .06 [1.52] THK. PVC 105°C INSUL.

REVERSING LEADS: NO. 18 GA., .03 [.76] THK. 125° INSUL.

GROUND LEAD: NO. 18 GA., .03 [.76] THK. (GREEN/YELLOW) INSUL.



NOTES:
 (4) SCREWS 15771401(.4) LOCK WASHERS 2520309-001,
 AND 4 NUTS 368C210H05 TO BE PUT IN A PLASTIC BAG &
 BE PACKED WITH EACH MOTOR.

REGAL-BELOIT CORPORATION (RBC) PROVIDES TECHNICAL ASSISTANCE TO OUR CUSTOMERS IN SEVERAL AREAS. SINCE RBC DOES NOT RECEIVE ALL DATA CONCERNING THE USE AND APPLICATION OF THE MOTOR, THE SUITABILITY OF THE MOTOR FOR THE APPLICATION MUST BE DETERMINED BY THE CUSTOMER.

DIMENSIONS WITHOUT TOLERANCES ARE FOR REFERENCE ONLY.

GREEN/YELLOW (GROUND)	5.0/7.0 [127.0/177.8]	#10 EYELET
BLACK/WHITE	5.0/7.0 [127.0/177.8]	REVERSING PLUG
WHITE	41.0/43.0 [1041.4/1092.2]	.25 [6.35] FLAG
BROWN	41.0/43.0 [1041.4/1092.2]	.25 [6.35] FLAG
BLACK	41.0/43.0 [1041.4/1092.2]	.25 [6.35] FLAG
COLOR	LENGTH	TERMINAL OR STRIP LENGTH

MAIN FRAME - OLE	ENCLOSED
END FRAME - OLE	ENCLOSED
MAIN FRAME - LE	ENCLOSED
END FRAME - LE	ENCLOSED

CUSTOMER	DISTRIBUTION SERVICES
----------	-----------------------

NAMEPLATE DATA:	EXTERNAL CONNECTION DIAGRAM
MODEL NO.: F48Y84A01 CUST. P/N: 796A HP: 1/3 ROT.: REVERSIBLE RPM: 1075 TYPE: UF FRAME: 48Y VOLTS: 460 PH: 1 AMPS: 0.9 HZ: 60 INS.: B AMB.: 40° C DUTY: AIR OVER CAP.: 5 MFD/370 V ENCL: ENCLOSED UL LOGO CSA LOGO THERMALLY PROTECTED	

PERFORMANCE CURVE NO.	TORQUE @ 1075 RPM (25°C)	APPROVED SAMPLE	UL COMPONENT	CSA
C32665	28.6 OZ. FT.	0600696A	E46412 PRGY2	LR43341 4211-01

DRAWING REVISION	REVISION BY	DATE
A	C.ZHOU	06-27-2014
0053909	APPROVED BY	DATE
	C.ZHOU	06-27-2014
ECS DESCRIPTION		
NEW MODEL RELEASE		

DRAWN BY:	C.ZHOU
DATE:	06-27-2014
APPROVED BY:	C.ZHOU
DATE:	06-27-2014
REFERENCE:	
MATERIAL:	
PROCESS/FINISH:	
SIZE (DWG NO)	796A
SHEET	1