

PRODUCT INFORMATION PACKET



Model No: 793
Catalog No: 793
1/15 HP Ventilation Motor, 1060 RPM, 3 Speed, 115 Volts, 4.3" Diameter, OAO
Ventilation Motors



Regal and Century are trademarks of Regal Beloit Corporation or one of its affiliated companies.
©2020 Regal Beloit Corporation, All Rights Reserved. MC017097E





Nameplate Specifications

Output HP	1/15 Hp	Output KW	0.05 kW
Frequency	60 Hz	Voltage	115 V
Current	1.2 A	Speed	1060 rpm
Service Factor	1	Phase	1
Duty	Continuous Air Over	Insulation Class	B
Frame	4.4	Enclosure	Open Air Over
Thermal Protection	Automatic	Ambient Temperature	40 °C
UL	Recognized	CSA	Y
CE	N		

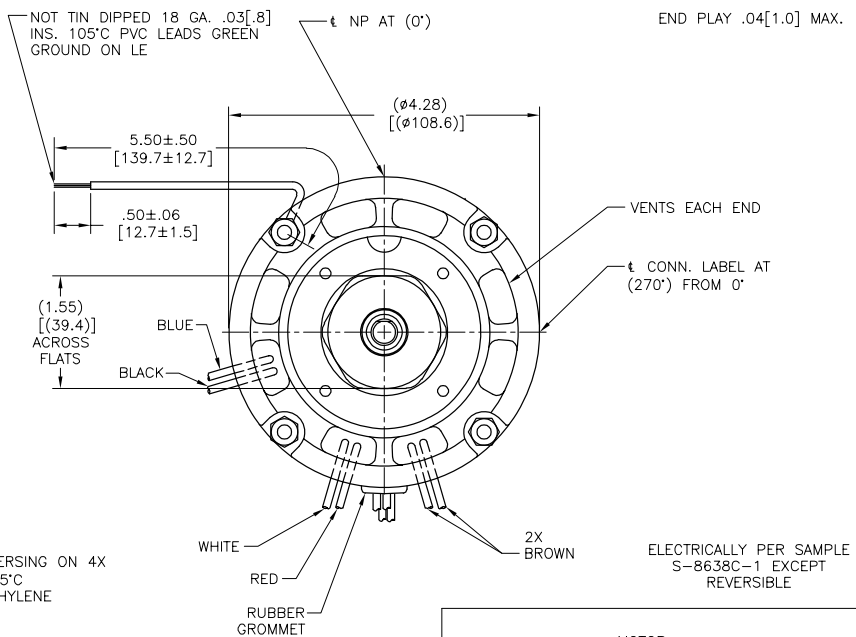
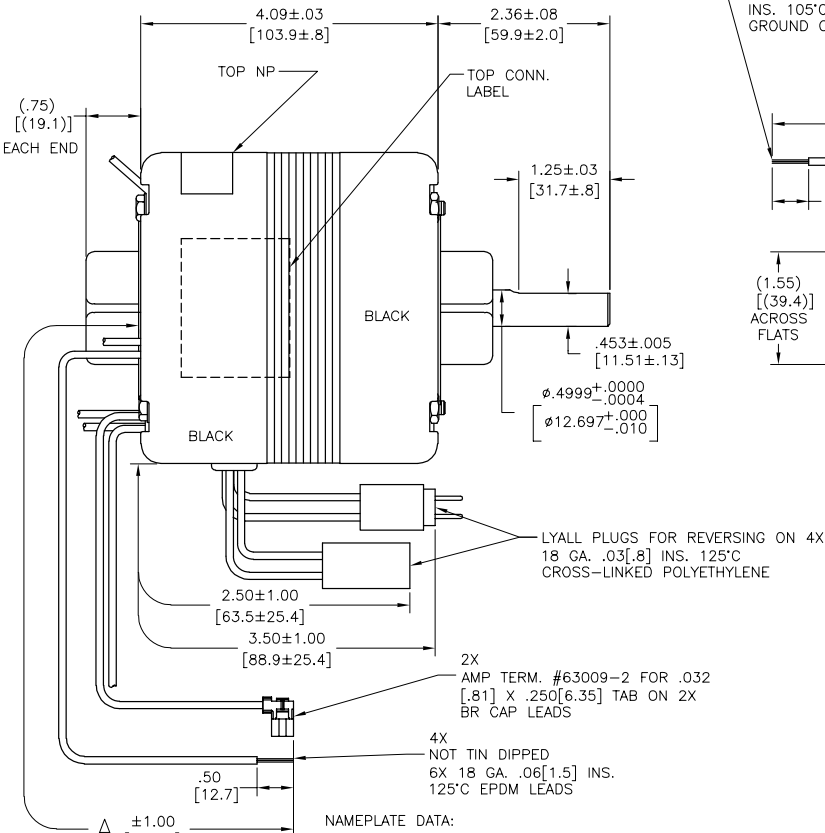
Technical Specifications

Electrical Type	Permanent Split Capacitor	Starting Method	Across The Line
Poles	6	Rotation	Reversible
Mounting	Resilient Rings	Motor Orientation	Horizontal
Drive End Bearing	Sleeve	Opp Drive End Bearing	Sleeve
Frame Material	N/A	Shaft Type	Flat
Overall Length	7.20 in	Shaft Diameter	0.500 in
Shaft Extension	1/2 X 2 5/16 in		
Outline Drawing	CE3F028-S01		

This is an uncontrolled document once printed or downloaded and is subject to change without notice. Date Created:19/10/2020

CUSTOMER IS SOLELY RESPONSIBLE FOR MOTOR PERFORMANCE AND SUITABILITY IN APPLICATIONS FOR CUSTOMER'S USES

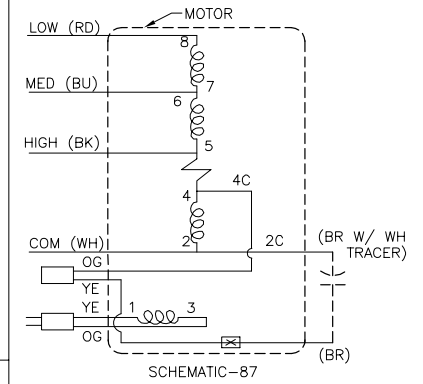
REV	ECO	REV BY	DATE	APPD	DATE
AK	0027378	H.REN	07-13-2012	B.SHEN	07-13-2012



Century
 THERMALLY PROTECTED
 SER. DATE PLT MOD CE3F028N
 115V 60HZ 1.2A 1060RPM 1/15 HP 1PH
 CONT AO CLASS B MAX. AMB 40°C
 USE 6 MFD 370 VAC CAPACITOR STOCK NO. 793

Tipp City, OH

CCWLE	PLUG IN YELLOW LEAD TO ORANGE LEAD
CWLE	PLUG IN ORANGE LEAD TO ORANGE LEAD
COLOR	A
BLUE	24.50[622.3]
RED	24.50[622.3]
BLACK	24.50[622.3]
WHITE	24.50[622.3]
BROWN	18.00[457.2]
BR W/ WH TRACER	18.00[457.2]
CONN. LABEL 63T472-18	
REVERSIBLE	



GEOMETRIC CHARACTERISTICS & SYMBOLS
 □ FLATNESS
 - STRAIGHTNESS
 <- ANGULARITY
 ⊥ PERPENDICULARITY (SQUARENESS)
 // PARALLELISM
 ○ ROUNDNESS (CIRCULARITY)
 φ CYLINDRICITY
 ~ PROFILE OF ANY SURFACE
 ~ PROFILE OF ANY LINE
 † RUNOUT
 + TRUE POSITION
 ⊙ CONCENTRICITY
 = SYMMETRY
 ASME Y14.5M 1994

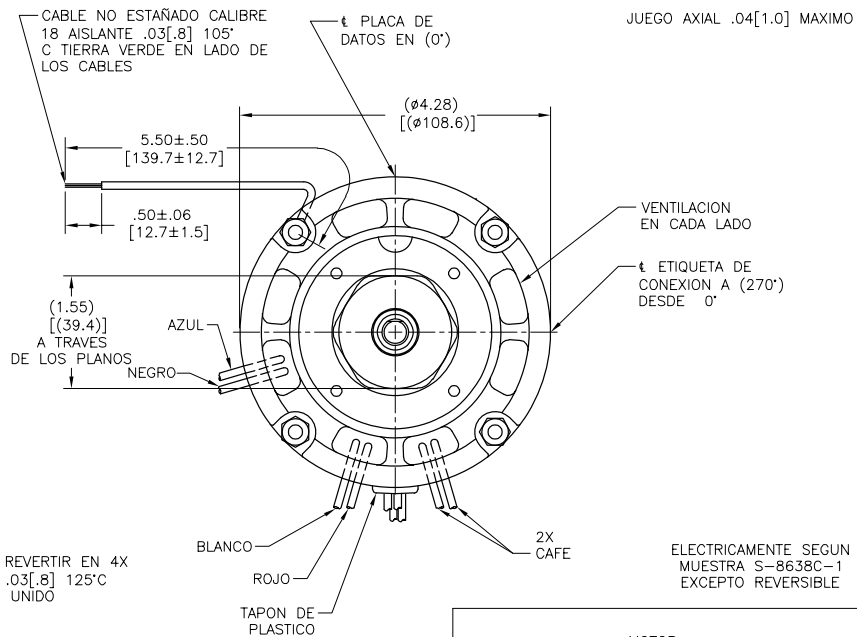
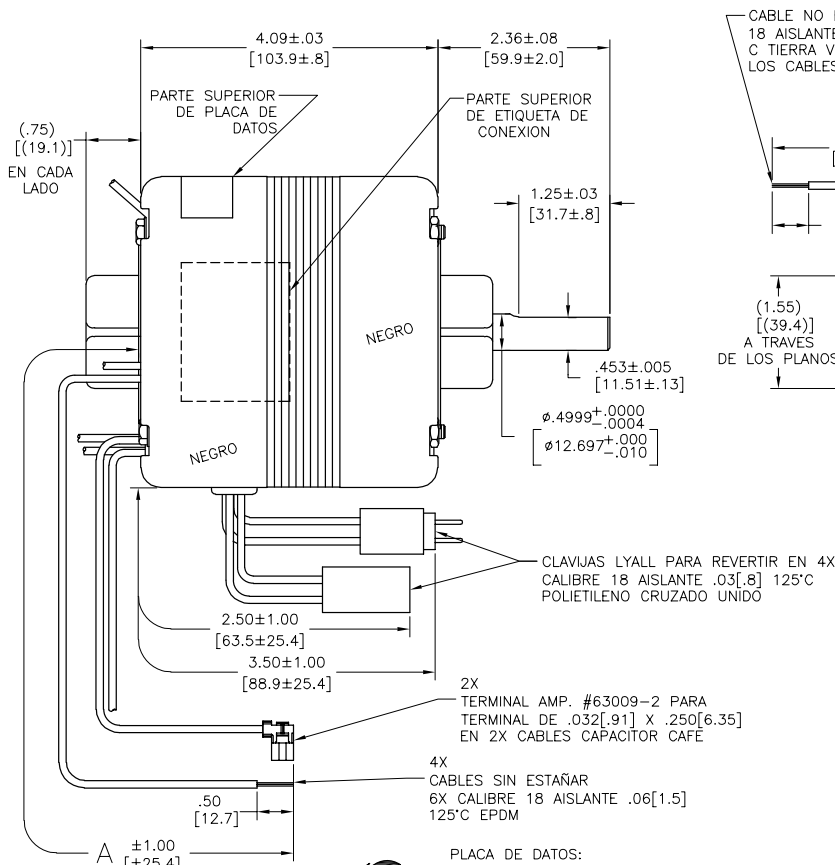
UNLESS OTHERWISE SPECIFIED DIM. TOLERANCES ARE AS FOLLOWS:
 INCH X XX XXX XXXX
 INCH ±.1 ±.02 ±.005 ±.0005
 mm ±0.5 ±0.13 ±0.013
 ANG. ±.50 DEG
 REMOVE BURRS & BREAK SHARP EDGES:
 INCH .003-.015 mm 0.1-.04
 CORNER FILLETS TO:
 INCH .020 mm 0.5
 MACHINE SURFACES:
 INCH 125 mm 3.2
 METRIC DIMS. SHOWN IN [BRACKETS]

DR BY: JH
 APPD:
 THIRD ANGLE PROJECTION
 EDS DATE 11-11-2011
 FORMAT REV H
 CONFIDENTIAL: THIS DRAWING AND ITS INFORMATION ARE THE EXCLUSIVE AND CONFIDENTIAL PROPERTY OF REGAL-BELOIT CORPORATION AND ARE NOT TO BE DISCLOSED, DUPLICATED, DISTRIBUTED OR OTHERWISE USED WITHOUT THE WRITTEN CONSENT OF REGAL-BELOIT CORPORATION. -ALL RIGHTS RESERVED.

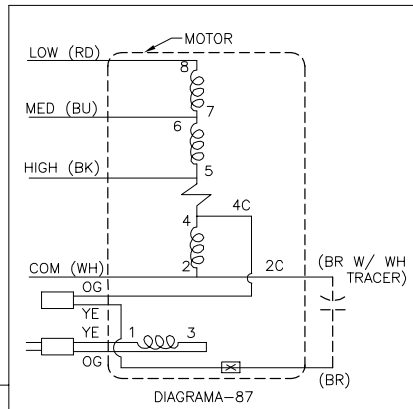
REGAL REGAL-BELOIT CORPORATION
 DESCRIPTION: OUTLINE
 SIZE: C DWG NO: CE3F028
 SCALE: NONE SHEET: 1

EL CLIENTE ES SOLO RESPONSABLE DEL RENDIMIENTO DEL MOTOR Y APLICACIONES CONVENIENTES PARA LOS USOS DEL CLIENTE.

REVISION: EKO	REVISADO POR: H.REN	FECHA: 07-13-2012	APROBADO POR: B.SHEN	FECHA: 07-13-2012
AK	0027378			



CWLE	CONECTAR CABLE AMARILLO EN CABLE NARANJA
CWLE	CONECTAR CABLE NARANJA EN CABLE NARANJA
	COLOR A
	AZUL 24.50[622.3]
	ROJO 24.50[622.3]
	NEGRO 24.50[622.3]
	BLANCO 24.50[622.3]
	CAFÉ 18.00[457.2]
	CAFÉ CON FRANJA BLANCA 18.00[457.2]
	ETIQUETA DE CONEXION 63T472-18
	REVERSIBLE



Century THERMALLY PROTECTED
 SER. DATE PLT MOD CE3F028N'
 115V 60HZ 1.2A 1060RPM 1/15 HP 1PH
 CONT AO CLASS B MAX. AMB 40°C ASSEMBLED IN MEXICO
 USE 6 MFD 370 VAC CAPACITOR STOCK NO. 793

Tipp City, OH

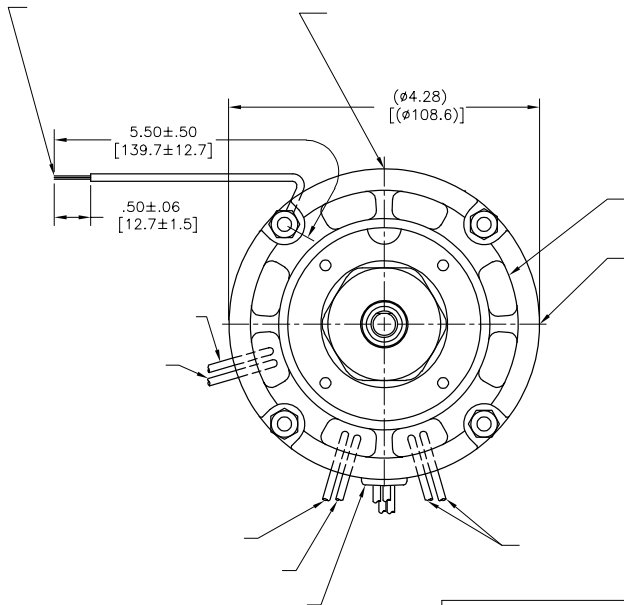
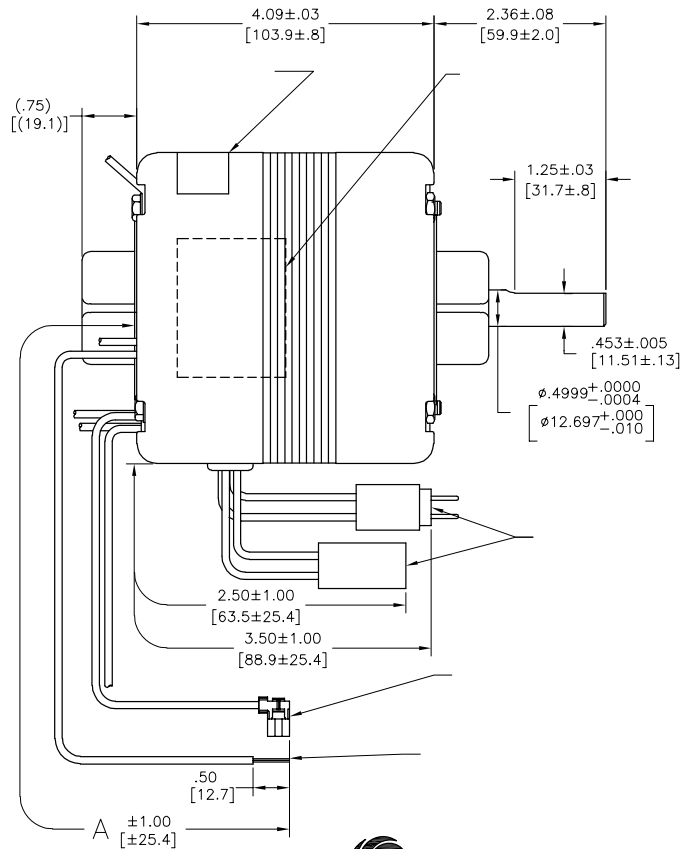
CARACTERISTICAS DE GEOMETRIA Y SIMBOLOS:
 ▽ PLANICIDAD
 - RECTITUD
 <- ANGULARIDAD
 ⊥ PERPENDICULARIDAD (A ESQUADRA)
 // PARALELISMO
 ○ REDONDEZ (CIRCULARIDAD)
 A CILINDRICIDAD
 ~ PERFIL DE CUALQUIER SUPERFICIE
 ~ PERFIL DE CUALQUIER LINEA
 † VARIACION
 + POSICION REAL
 ⊙ CONCENRICIDAD
 = SIMETRIA
 ASME Y14.5M 1994

A MENOS QUE SE ESPECIFIQUE DE OTRA MANERA, LAS TOLERANCIAS DE LAS DIMS: SON LAS SIGUIENTES:
 X XX XXX XXXX
 PULG ±.1 ±.02 ±.005 ±.0005
 mm ±0.5 ±0.13 ±0.013
 ANG. ±.50 GRADOS
 ELIMINAR REBABAS Y ORILLAS FILOSAS DEL BORDE.
 PULG .003-.015 mm 0.1-0.4
 FILETEAR ESQUINA: PULG .020 mm 0.5
 MAQUINAR SUPERFICIES
 PULG .125 mm .32

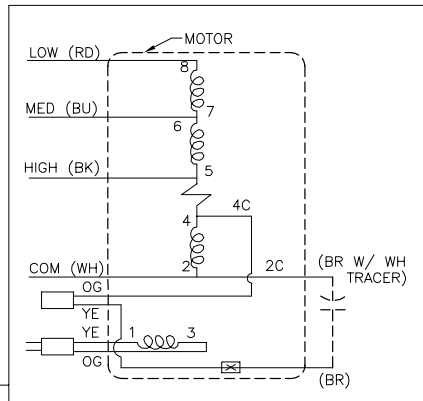
DIBUJADO POR: JH
 APROBADO POR:
 TERCER ANGULO DE PROYECCION
 FECHA EDS: 11-11-2011
 REV. FORMATO: H
 CONFIDENCIAL: ESTE DIBUJO Y SU INFORMACION SON PROPIEDAD DE USO EXCLUSIVO Y CONFIDENCIAL DE REGAL-BELOIT CORPORATION. Y NO DEBERAN SER REVELADOS, DUPLICADOS, DISTRIBUIDOS O USARSE DE OTRA MANERA SIN EL CONSENTIMIENTO ESCRITO DE REGAL-BELOIT CORPORATION. -TODOS LOS DERECHOS RESERVADOS.

REGAL REGAL-BELOIT CORPORATION
 DESCRIPCION: OUTLINE
 TAMAÑO: C NUMERO DE DIBUJO: CE3F028
 ESCALA: NONE HOJA: 1

版本	ECO	编制	日期	批准	日期
AK	0027378	H.REN	07-13-2012	B.SHEN	07-13-2012



CCWLE	
CWLE	
	A
	24.50[622.3]
	24.50[622.3]
	24.50[622.3]
	24.50[622.3]
	18.00[457.2]
	18.00[457.2]



Century THERMALLY PROTECTED
 SER. DATE PLT MOD CE3F028N
 115V 60HZ 1.2A 1060RPM 1/15 HP 1PH
 CONT AO CLASS B MAX. AMB 40°C
 USE 6 MFD 370 VAC CAPACITOR STOCK NO. 793

Tipp City, OH

形位公差	除另有注明
□ 平面度	尺寸公差如下:
— 直线度	英寸 X XX XXX XXXX
∠ 倾斜度	毫米 ±.1 ±.02 ±.005 ±.0005
⊥ 垂直度	毫米 ±0.5 ±0.13 ±0.013
∥ 平行度	角度 ±.50 度
○ 圆度	清理毛刺和尖棱
⊙ 圆跳动	英寸 .003-.015 毫米 0.1-0.4
⌒ 面轮廓度	内圆角
⌒ 线轮廓度	英寸 .020 毫米 0.5
⊕ 圆跳动	表面粗糙度
⊕ 位置度	英制 125 米制 3.2
⊕ 对称度	米制尺寸显示在 []

除另有注明	尺寸公差如下:
英寸 X XX XXX XXXX	
毫米 ±.1 ±.02 ±.005 ±.0005	
毫米 ±0.5 ±0.13 ±0.013	
角度 ±.50 度	
清理毛刺和尖棱	
英寸 .003-.015 毫米 0.1-0.4	
内圆角	
英寸 .020 毫米 0.5	
表面粗糙度	
英制 125 米制 3.2	
米制尺寸显示在 []	

绘图:	JH
批准:	
第三角投影	
图框格式发布日期	11-11-2011
图框格式版本	H
机密: 本图纸及相关信息所有权归REGAL-BELOIT CORPORATION. 未经REGAL-BELOIT CORPORATION书面授权, 不得泄露、复制、传播或作其他用途。--版权所有	

	REGAL-BELOIT CORPORATION
名称	OUTLINE
图幅	C
图号	CE3F028
比例	NONE
页号	1

ASME Y14.5M 1994