

PRODUCT INFORMATION PACKET



Model No: 6907

Catalog No: 6907

3/4 HP Condenser Fan Motor, 1100/850 RPM, 2 Speed/PWM, 460 Volts, 48 Frame, TEAO
Condenser Fans Motors



Regal and Genteq are trademarks of Regal Beloit Corporation or one of its affiliated companies.
©2019 Regal Beloit Corporation, All Rights Reserved. MC017097E





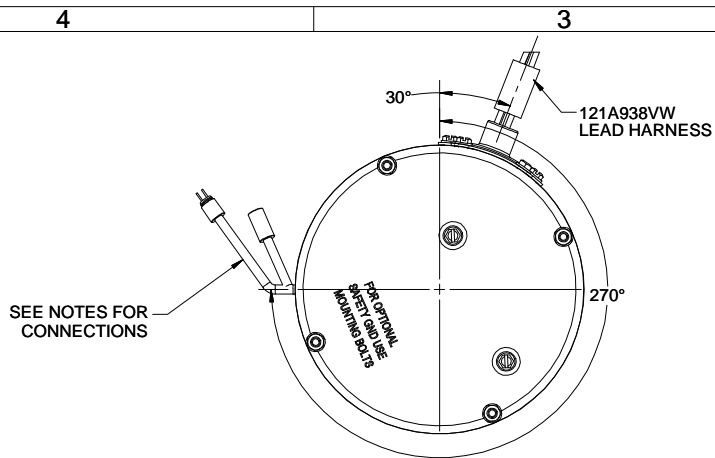
Nameplate Specifications

Output HP	3/4 Hp	Frequency	60 Hz
Voltage	460 V	Current	3.1 A
Speed	1100/850 rpm	Service Factor	1
Phase	1	Duty	Continuous Air Over
Insulation Class	B	Frame	48
Enclosure	Totally Enclosed Air Over	Thermal Protection	No
Ambient Temperature	60 °C	UL	Recognized
CSA	N	CE	N

Technical Specifications

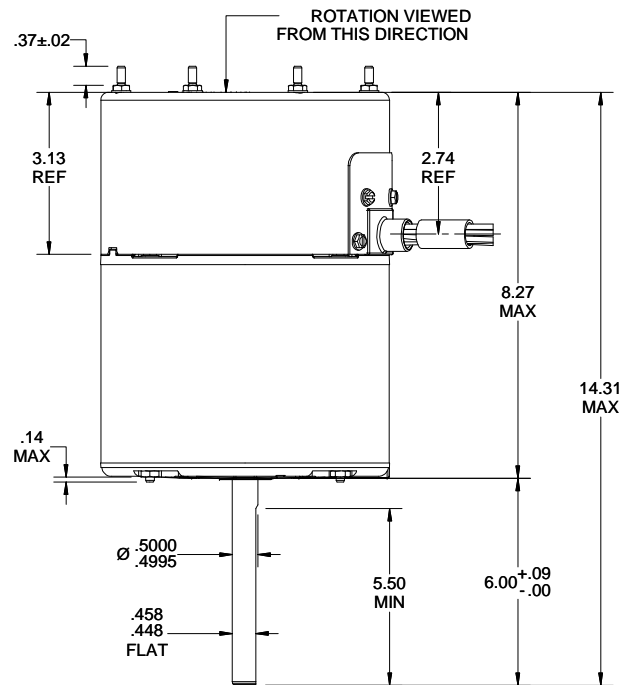
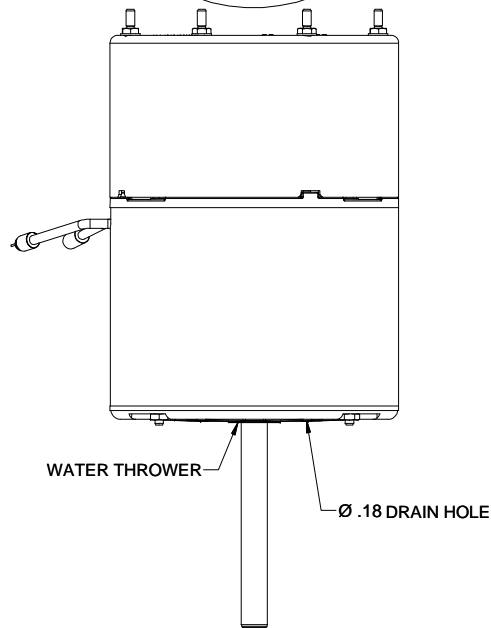
Electrical Type	Electronically Commutated Motor	Poles	12
Rotation	Reversible	Mounting	Extended Studs
Motor Orientation	Horizontal	Drive End Bearing	Ball
Opp Drive End Bearing	Ball	Frame Material	Rolled Steel
Shaft Type	Flat	Overall Length	14.31 in
Frame Length	4.57 in	Shaft Diameter	0.500 in
Shaft Extension	6.00 in	Thru-bolts Extension	0.14 in

This is an uncontrolled document once printed or downloaded and is subject to change without notice. Date Created:04/11/2019



COLOR	TERMINAL	PIN #	CUSTOMER LEAD LENGTH	CUSTOMER CONNECTION	OPTION - 1	OPTION-2
BLACK	0.5" BWS	1	54"	L1	460 VAC	460 VAC
RED	0.5" BWS	3	54"	L2	460 VAC	460 VAC
GREEN/ YELLOW	.25 EYELET (.265 DIA HOLE)	2	54"	GROUND	GND	GND
BLUE	0.5" BWS	5	54"	COMMON	24 VAC	24 VAC
ORANGE	0.5" BWS	4	54"	SIGNAL	-	24 VAC
YELLOW	0.5" BWS	6	54"	SIGNAL	24 VAC	-
					RPM	1100 850
					ROTATION	CCW CCW
ECM TOOLBOX ID					SPEED 1	SPEED 2

NAMEPLATE DATA	
MODEL	5SME39SLHE574
CUSTOMER	DEF PUR
CPN/STOCK #	STOCK NO 6907
HP	3/4
RPM	1100/850
VOLTS	460
HZ	60/50
AMPS	3.1
ROTATION	CCW/CW
MTG. POSITION	HOR
APP.MTWT.	20 lbs
NP LABEL	WHITE COLOR



Reversible lead connections

- 1) Yellow from Motor to Connector (Old Red Wire)
- 2) Purple from Connector to ECM 3 pin plug
- 3) Orange from Motor to Connector (Old Black Wire)
- 4) Brown from Connector to ECM 3 pin plug

DRAWING REVISION F	REVISION BY KEP	DATE 01/04/2018
ECO ECO-0129397	APPROVED BY ANDREA	DATE 01/04/2018
ECO DESCRIPTION UPDATED PER ECO REQUEST		
<small>COPYRIGHT REGAL BELOIT AMERICA, INC. ALL RIGHTS RESERVED. PROPRIETARY AND CONFIDENTIAL INFORMATION - THIS DOCUMENT IS THE PROPERTY OF REGAL BELOIT AMERICA, INC. (OWNER) AND CONTAINS OWNER'S PROPRIETARY INFORMATION. ANY PERSON, CORPORATION OR OTHER FIRM RECEIVING IT IS DEEMED, BY RECEIVING IT, TO AGREE THAT IT, AND/OR ANY PART OF IT, SHALL NOT BE DISCLOSED TO ANY PERSON, CORPORATION OR OTHER ENTITY, DUPLICATED, AND/OR USED, EXCEPT AS EXPRESSLY APPROVED IN WRITING IN ADVANCE BY OWNER. THIS DOCUMENT SHALL BE RETURNED TO OWNER UPON REQUEST. IT MAY BE SUBJECT TO CERTAIN RESTRICTIONS UNDER APPLICABLE EXPORT CONTROL LAWS AND REGULATIONS.</small>		

DRAWN BY SBD	Regal Beloit America, Inc.		
DATE 11/11/2013			
APPROVED BY SBD	DESCRIPTION OUTLINE ECM 142R 460V -REVERSIBLE LEADS		
DATE 11/11/2013			
REFERENCE	MATERIAL	PROCESS/FINISH	
THIRD ANGLE PROJECTION	SIZE B	DRAWING NUMBER 5SME39SLHE574	SHEET 1 OF 1