

PRODUCT INFORMATION PACKET



Model No: 6903

Catalog No: 6903

1/3 HP Condenser Fan Motor, 1100/850 RPM, 2 Speed/PWM, 460 Volts, 48 Frame, TEAO
Condenser Fans Motors



Regal and Genteq are trademarks of Regal Beloit Corporation or one of its affiliated companies.
©2019 Regal Beloit Corporation, All Rights Reserved. MC017097E





Nameplate Specifications

Output HP	1/3 Hp	Frequency	60 Hz
Voltage	460 V	Current	1.6 A
Speed	1100/850 rpm	Service Factor	1
Phase	1	Duty	Continuous Air Over
Insulation Class	B	Frame	48
Enclosure	Totally Enclosed Air Over	Thermal Protection	No
Ambient Temperature	60 °C	UL	Recognized
CSA	N	CE	N

Technical Specifications

Electrical Type	Electronically Commutated Motor	Poles	12
Rotation	Reversible	Mounting	Extended Studs
Motor Orientation	Horizontal	Drive End Bearing	Ball
Opp Drive End Bearing	Ball	Frame Material	Rolled Steel
Shaft Type	Flat	Overall Length	12.82 in
Frame Length	3.07 in	Shaft Diameter	0.500 in
Shaft Extension	6.00 in	Thru-bolts Extension	0.14 in

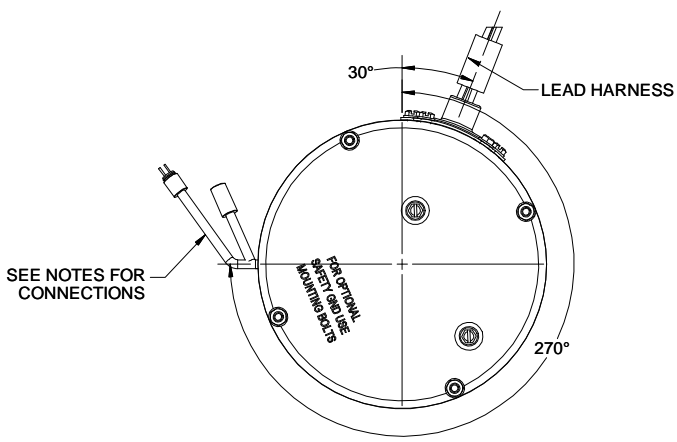
This is an uncontrolled document once printed or downloaded and is subject to change without notice. Date Created:04/11/2019

4

3

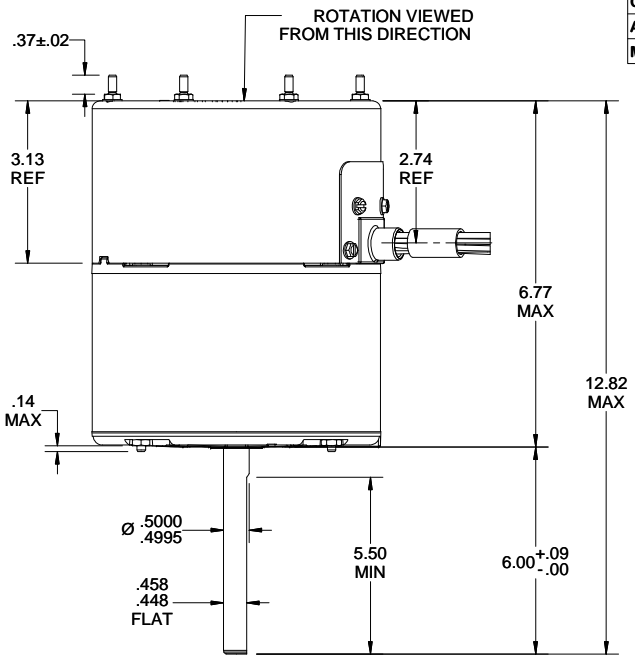
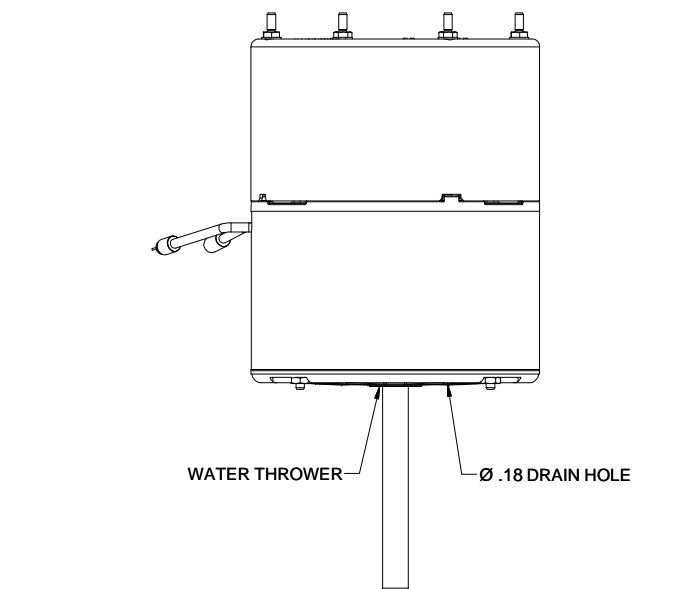
2

1



COLOR	TERMINAL	PIN #	CUSTOMER LEAD LENGTH	CUSTOMER CONNECTION	OPTION - 1	OPTION-2
BLACK	0.5" BWS	1	54"	L1	460 VAC	460 VAC
RED	0.5" BWS	3	54"	L2	460 VAC	460 VAC
GREEN/ YELLOW	.25 EYELET (.265 DIA HOLE)	2	54"	GROUND	GND	GND
BLUE	0.5" BWS	5	54"	COMMON	24 VAC	24 VAC
ORANGE	0.5" BWS	4	54"	SIGNAL	-	24 VAC
YELLOW	0.5" BWS	6	54"	SIGNAL	24 VAC	-
					RPM	1100 850
					ROTATION	CCW CCW
					ECM TOOLBOX ID	SPEED 1 SPEED 2


NAMEPLATE DATA	
MODEL	5SME39HLHE572
CPN/STOCK #	STOCK NO 6903
HP	1/3
RPM	1100/850
VOLTS	460
HZ	60/50
AMPS	1.6
ROTATION	CCW/CW
NP LABEL	WHITE COLOR



ADDITIONAL INFO	
CUSTOMER	DEF PUR
APP.MTWT.	12 lbs
MTG. POSITION	HOR

- Reversible lead connections
- 1) Yellow from Motor to Connector (Old Red Wire)
 - 2) Purple from Connector to ECM 3 pin plug
 - 3) Orange from Motor to Connector (Old Black Wire)
 - 4) Brown from Connector to ECM 3 pin plug

DRAWING REVISION G	REVISION BY KEP	DATE 01/04/2018
ECO ECO-0129397	APPROVED BY ANDREA	DATE 01/04/2018
ECO DESCRIPTION UPDATED PER ECO REQUEST		
<small>COPYRIGHT REGAL BELOIT AMERICA, INC. ALL RIGHTS RESERVED. PROPRIETARY AND CONFIDENTIAL INFORMATION - THIS DOCUMENT IS THE PROPERTY OF REGAL BELOIT AMERICA, INC. (OWNER) AND CONTAINS OWNER'S PROPRIETARY INFORMATION. ANY PERSON, CORPORATION OR OTHER FIRM RECEIVING IT IS DEEMED, BY RECEIVING IT, TO AGREE THAT IT, AND/OR ANY PART OF IT, SHALL NOT BE DISCLOSED TO ANY PERSON, CORPORATION OR OTHER ENTITY, DUPLICATED, AND/OR USED, EXCEPT AS EXPRESSLY APPROVED IN WRITING IN ADVANCE BY OWNER. THIS DOCUMENT SHALL BE RETURNED TO OWNER UPON REQUEST. IT MAY BE SUBJECT TO CERTAIN RESTRICTIONS UNDER APPLICABLE EXPORT CONTROL LAWS AND REGULATIONS.</small>		

DRAWN BY SBD	 Regal Beloit America, Inc.
DATE 08/16/2013	
APPROVED BY SBD	DESCRIPTION OUTLINE ECM 142R-460V (RVRS LEADS)
DATE 08/16/2013	MATERIAL
REFERENCE	PROCESS/FINISH
THIRD ANGLE PROJECTION	SIZE B
	DRAWING NUMBER 5SME39HLHE572
	SHEET 1 OF 1

4

3

2

1