

PRODUCT INFORMATION PACKET



Model No: 6710

Catalog No: 6710

1 HP Fan & Blower Motor, 1075 RPM, 5 Speed/PWM, 208-230/277 Volts, 48 Frame, Semi Enclosed Direct Drive Motors



Regal and Genteq are trademarks of Regal Beloit Corporation or one of its affiliated companies.
©2019 Regal Beloit Corporation, All Rights Reserved. MC017097E





Nameplate Specifications

Output HP	1 Hp	Frequency	60 Hz
Voltage	208-230/277 V	Current	7.6/6.6 A
Speed	1075 rpm	Service Factor	1
Phase	1	Duty	Continuous Air Over
Insulation Class	B	Frame	48
Enclosure	Open Air Over	Thermal Protection	No
Ambient Temperature	40 °C	UL	No
CSA	N	CE	N

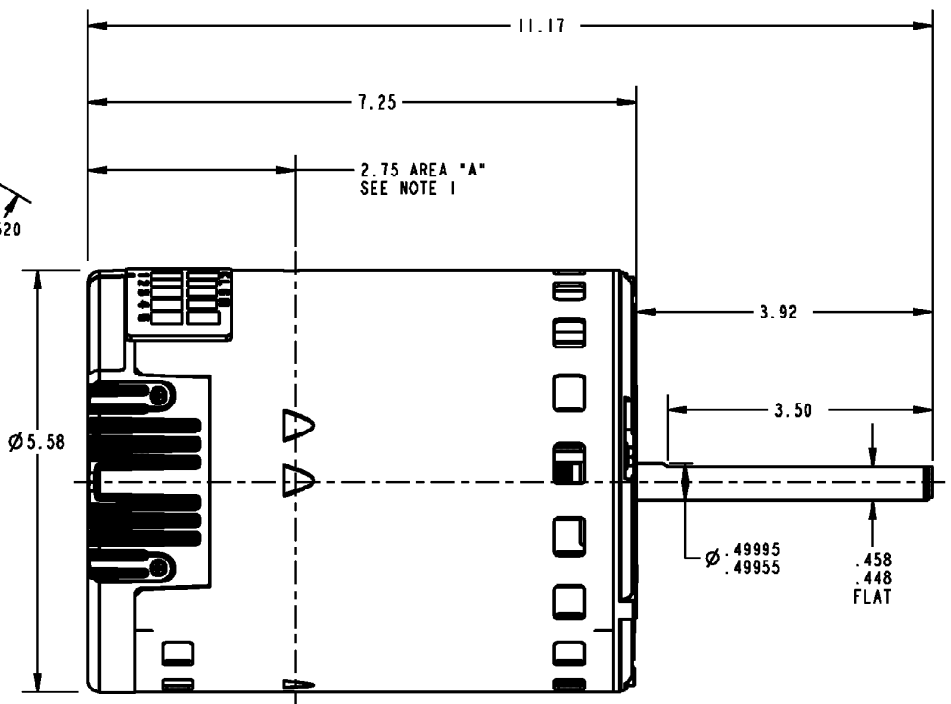
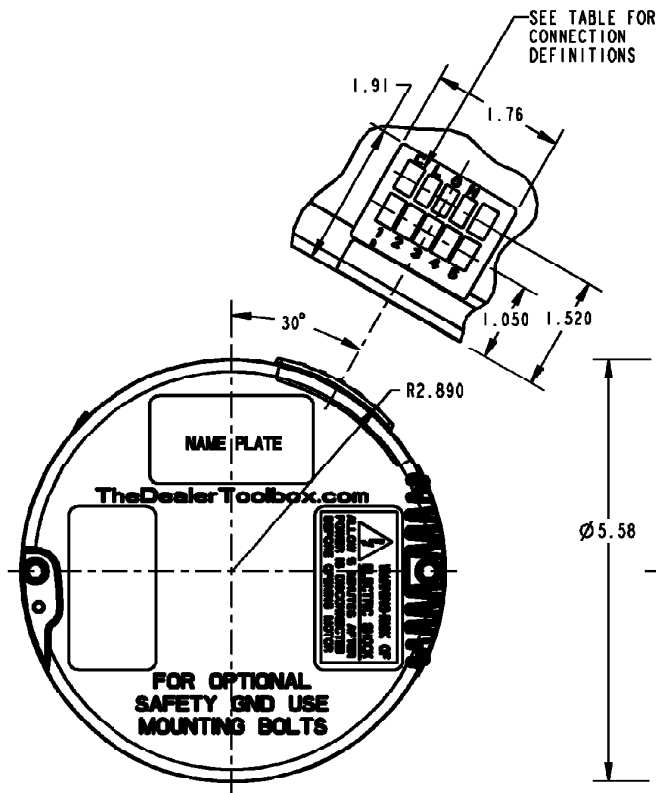
Technical Specifications

Electrical Type	Electronically Commutated Motor	Poles	12
Rotation	Reversible	Mounting	Round
Motor Orientation	Horizontal	Drive End Bearing	Ball
Opp Drive End Bearing	Ball	Frame Material	Rolled Steel
Shaft Type	Flat	Overall Length	11.17 in
Frame Length	6.32 in	Shaft Diameter	0.500 in
Shaft Extension	3.92 in		

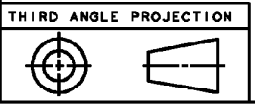
This is an uncontrolled document once printed or downloaded and is subject to change without notice. Date Created:04/11/2019

NAME: 501221413 OBJECT: 5SME39SXL273 DATE: 25-JUL-11 19:50:03

	COMMON	COMMON
L	LINE1	LINE1
G	GROUND	GROUND
N	LINE2	LINE2
1	TAP 1	TORQUE PT 1 (IF APPLICABLE)
2	TAP 2	TORQUE PT 2 (IF APPLICABLE)
3	TAP 3	TORQUE PT 3 (IF APPLICABLE)
4	TAP 4	TORQUE PT 4 (IF APPLICABLE)
5	TAP 5	TORQUE PT 5 (IF APPLICABLE)



CPN NUMBER 6710



- NOTES:
- BELLY BAND MUST NOT BE PLACED WITHIN AREA "A".
 - APPROXIMATE WEIGHT IS 19.0 LBM.

FOR ADDITIONAL INFO REFER TO:	SIGNATURES	DATE
APPLIED PRACTICES	MODEL	
DIMENSIONS ARE IN INCHES	DETAIL	AVL 07/25/11
TOLERANCE ON:	CHECKED	
1 PL DECIMALS ± 0.0	ENGRS	
2 PL DECIMALS ± 0.02	WFG	
3 PL DECIMALS ± 0.005	QUALITY	
ANGLES ± 1.0	ISSUED	AVL 07/25/11
FRACTIONS ±		
FINISH		
MATERIAL	SOLID MODEL: 5SME39SXL013A	

		REGAL-BELOIT CORPORATION	
TITLE		OUTLINE	
X13 PLATFORM		1 HP 208-230/277 VOLTS	
SIZE	DRAWING	REV	
B	5SME39SXL273	0	
SCALE: 0.620	REF. No: .	SHEET 1 of 1	