

# PRODUCT INFORMATION PACKET



Model No: 6707

Catalog No: 6707

3/4 HP Fan & Blower Motor, 1075 RPM, 5 Speed/PWM, 208-230/277 Volts, 48 Frame, Semi Enclosed Direct Drive Motors



Regal and Genteq are trademarks of Regal Beloit Corporation or one of its affiliated companies.  
©2019 Regal Beloit Corporation, All Rights Reserved. MC017097E





**Nameplate Specifications**

Output HP	3/4 Hp	Frequency	60 Hz
Voltage	208-230/277 V	Current	6.0/4.9 A
Speed	1075 rpm	Service Factor	1
Phase	1	Duty	Continuous Air Over
Insulation Class	B	Frame	48
Enclosure	Open Air Over	Thermal Protection	No
Ambient Temperature	40 °C	UL	Recognized
CSA	Y	CE	N

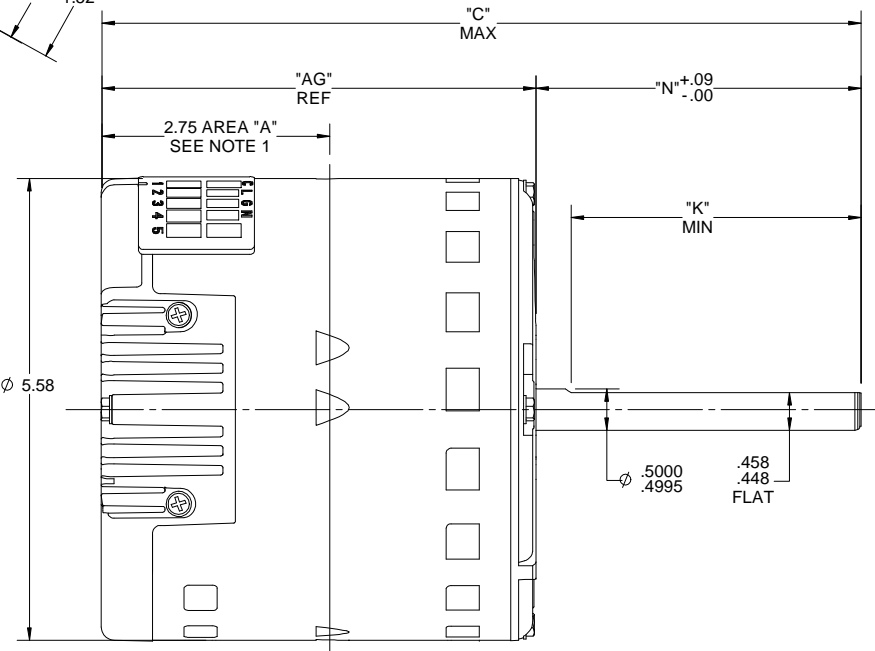
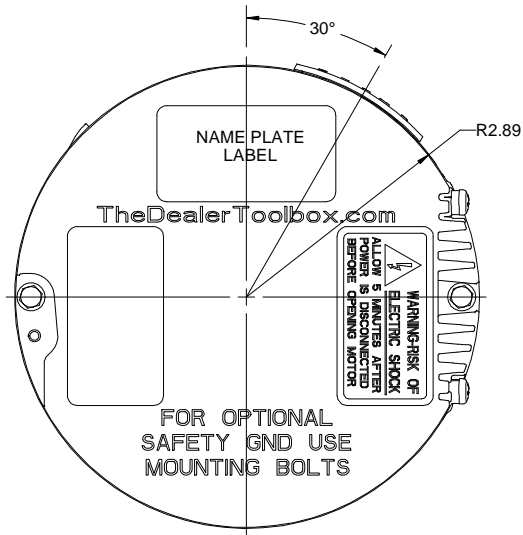
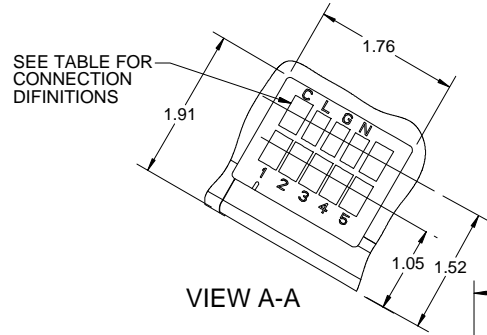
**Technical Specifications**

Electrical Type	Electronically Commutated Motor	Poles	12
Rotation	Reversible	Mounting	Round
Motor Orientation	Horizontal	Drive End Bearing	Ball
Opp Drive End Bearing	Ball	Frame Material	Rolled Steel
Shaft Type	Flat	Overall Length	10.42 in
Frame Length	5.57 in	Shaft Diameter	0.500 in
Shaft Extension	3.92 in		

This is an uncontrolled document once printed or downloaded and is subject to change without notice. Date Created:04/11/2019

CONNECTOR ID	DESCRIPTION
C	SIGNAL COMMON
L	LINE 1
G	GROUND
N	LINE 2
1	LOW (PWM)
2	MED-LOW
3	MED
4	MED-HIGH
5	HIGH

NAMEPLATE DATA	
MODEL	5SME39NXL229
CUSTOMER	DEF PUR
CPN/STOCK NO.	STOCK NO 6707
H.P.	3/4
RPM	1075
VOLTS	208-230/277
HZ	60/50
AMPS	6.0/4.9
ROTATION	CCW/CW
MTG POSITION	HOR/VSD



10.42	3.92	3.50	6.50
C	N	K	AG

- NOTE:
- BELLY BAND MUST NOT BE PLACED WITHIN AREA "A"
  - APPROXIMATE WEIGHT IS 15.2 LB

DRAWING REVISION F	REVISION BY KEP	DATE 12/22/2017
ECO ECO-0129397	APPROVED BY ANDREA	DATE 12/22/2017
ECO DESCRIPTION UPDATED AS PER ECO REQUEST		
<small>COPYRIGHT REGAL BELOIT AMERICA, INC. ALL RIGHTS RESERVED.                      PROPRIETARY AND CONFIDENTIAL INFORMATION - THIS DOCUMENT IS THE PROPERTY OF                      REGAL BELOIT AMERICA, INC. ("OWNER") AND CONTAINS OWNER'S PROPRIETARY                      INFORMATION. ANY PERSON, CORPORATION OR OTHER FIRM RECEIVING IT IS DEEMED,                      BY RECEIVING IT, TO AGREE THAT IT, AND/OR ANY PART OF IT, SHALL NOT BE DISCLOSED                      TO ANY PERSON, CORPORATION OR OTHER ENTITY, DUPLICATED, AND/OR USED, EXCEPT                      AS EXPRESSLY APPROVED IN WRITING IN ADVANCE BY OWNER. THIS DOCUMENT SHALL                      BE RETURNED TO OWNER UPON REQUEST. IT MAY BE SUBJECT TO CERTAIN                      RESTRICTIONS UNDER APPLICABLE EXPORT CONTROL LAWS AND REGULATIONS.</small>		

DRAWN BY J. RUPERT
DATE 08-04-2017
APPROVED BY J. RUPERT
DATE 08-04-2017
REFERENCE

<b>REGAL</b> ™	Regal Beloit America, Inc.
DESCRIPTION	<b>OUTLINE</b> Endura Pro
MATERIAL	PROCESS/FINISH
THIRD ANGLE PROJECTION	SIZE <b>B</b> DRAWING NUMBER <b>5SME39NXL229</b> SHEET <b>1 OF 1</b>