

# PRODUCT INFORMATION PACKET



Model No: 6705

Catalog No: 6705

1/2 HP Fan & Blower Motor, 1075 RPM, 5 Speed/PWM, 208-230/277 Volts, 48 Frame, Semi Enclosed Direct Drive Motors



Regal and Genteq are trademarks of Regal Beloit Corporation or one of its affiliated companies.  
©2020 Regal Beloit Corporation, All Rights Reserved. MC017097E





**Nameplate Specifications**

Output HP	1/2 Hp	Output KW	0.37 kW
Frequency	60 Hz	Voltage	208-230/277 V
Current	4.1/3.6 A	Speed	1075 rpm
Service Factor	1	Phase	1
Duty	Continuous Air Over	Insulation Class	B
Frame	48	Enclosure	Open Air Over
Thermal Protection	No	Ambient Temperature	40 °C
UL	Recognized	CSA	Y
CE	N		

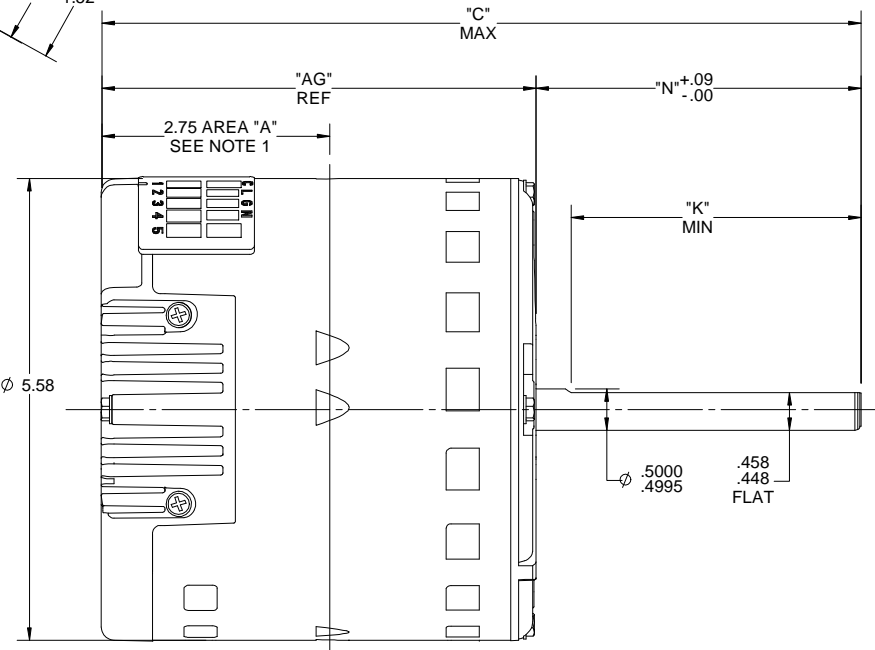
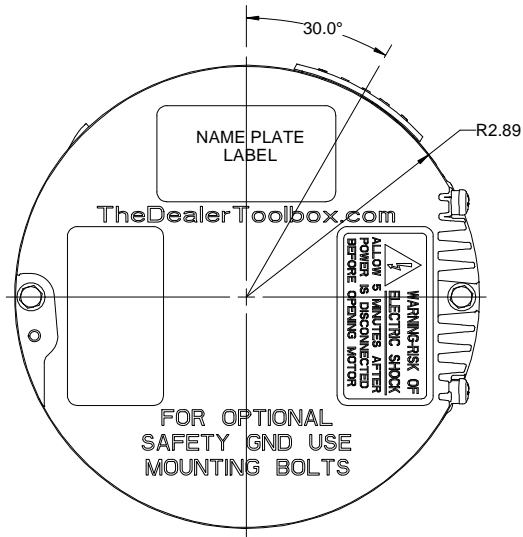
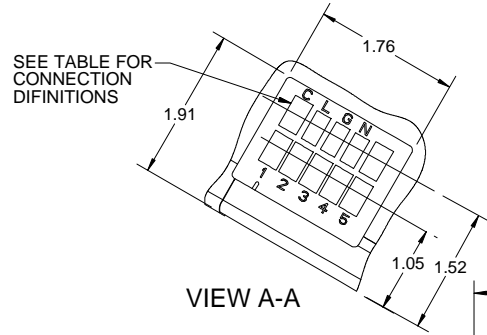
**Technical Specifications**

Electrical Type	Electronically Commutated Motor	Poles	12
Rotation	Reversible	Mounting	Round
Motor Orientation	Horizontal	Drive End Bearing	Ball
Opp Drive End Bearing	Ball	Frame Material	Rolled Steel
Shaft Type	Flat	Overall Length	9.67 in
Frame Length	4.82 in	Shaft Diameter	0.500 in
Shaft Extension	3.92 in		
Outline Drawing	5SME39HXL228	Connection Drawing	N/R

This is an uncontrolled document once printed or downloaded and is subject to change without notice. Date Created:06/11/2020

CONNECTOR ID	DESCRIPTION
C	SIGNAL COMMON
L	LINE 1
G	GROUND
N	LINE 2
1	LOW (PWM)
2	MED-LOW
3	MED
4	MED-HIGH
5	HIGH

NAMEPLATE DATA	
MODEL	5SME39HXL228
CUSTOMER	DEF PUR
CPN/STOCK NO.	STOCK NO 6705
H.P.	1/2
RPM	1075
VOLTS	208-230/277
HZ	60/50
AMPS	4.1/3.6
ROTATION	CCW/CW
MTG POSITION	HOR/VSD



9.67	3.92	3.50	5.75
C	N	K	AG

- NOTE:
- BELLY BAND MUST NOT BE PLACED WITHIN AREA "A"
  - APPROXIMATE WEIGHT IS 12.3 LB

DRAWING REVISION F	REVISION BY KEP	DATE 12/22/2017
ECO ECO-0129397	APPROVED BY ANDREA	DATE 12/22/2017
ECO DESCRIPTION UPDATED AS PER ECO REQUEST		
<small>COPYRIGHT REGAL BELOIT AMERICA, INC. ALL RIGHTS RESERVED.                  PROPRIETARY AND CONFIDENTIAL INFORMATION - THIS DOCUMENT IS THE PROPERTY OF                  REGAL BELOIT AMERICA, INC. ("OWNER") AND CONTAINS OWNER'S PROPRIETARY                  INFORMATION. ANY PERSON, CORPORATION OR OTHER FIRM RECEIVING IT IS DEEMED,                  BY RECEIVING IT, TO AGREE THAT IT, AND/OR ANY PART OF IT, SHALL NOT BE DISCLOSED                  TO ANY PERSON, CORPORATION OR OTHER ENTITY, DUPLICATED, AND/OR USED, EXCEPT                  AS EXPRESSLY APPROVED IN WRITING IN ADVANCE BY OWNER. THIS DOCUMENT SHALL                  BE RETURNED TO OWNER UPON REQUEST. IT MAY BE SUBJECT TO CERTAIN                  RESTRICTIONS UNDER APPLICABLE EXPORT CONTROL LAWS AND REGULATIONS.</small>		

DRAWN BY J. RUPERT
DATE 08-03-2017
APPROVED BY J. RUPERT
DATE 08-03-2017
REFERENCE

**REGAL**™ Regal Beloit America, Inc.

DESCRIPTION <b>OUTLINE</b> Endura Pro	
MATERIAL	PROCESS/FINISH
SIZE <b>B</b>	DRAWING NUMBER <b>5SME39HXL228</b>
THIRD ANGLE PROJECTION	SHEET 1 OF 1