

PRODUCT INFORMATION PACKET



Model No: 6410

Catalog No: 6410

1 HP Fan & Blower Motor, 1075 RPM, 5 Speed/PWM, 460 Volts, 48 Frame, Semi Enclosed
Direct Drive Motors



Regal and Genteq are trademarks of Regal Beloit Corporation or one of its affiliated companies.
©2019 Regal Beloit Corporation, All Rights Reserved. MC017097E

REGAL



Nameplate Specifications

Output HP	1 Hp	Frequency	60 Hz
Voltage	460 V	Current	4.0 A
Speed	1075 rpm	Service Factor	1
Phase	1	Duty	Continuous Air Over
Insulation Class	B	Frame	48
Enclosure	Open Air Over	Thermal Protection	No
Ambient Temperature	40 °C	UL	No
CSA	N	CE	N

Technical Specifications

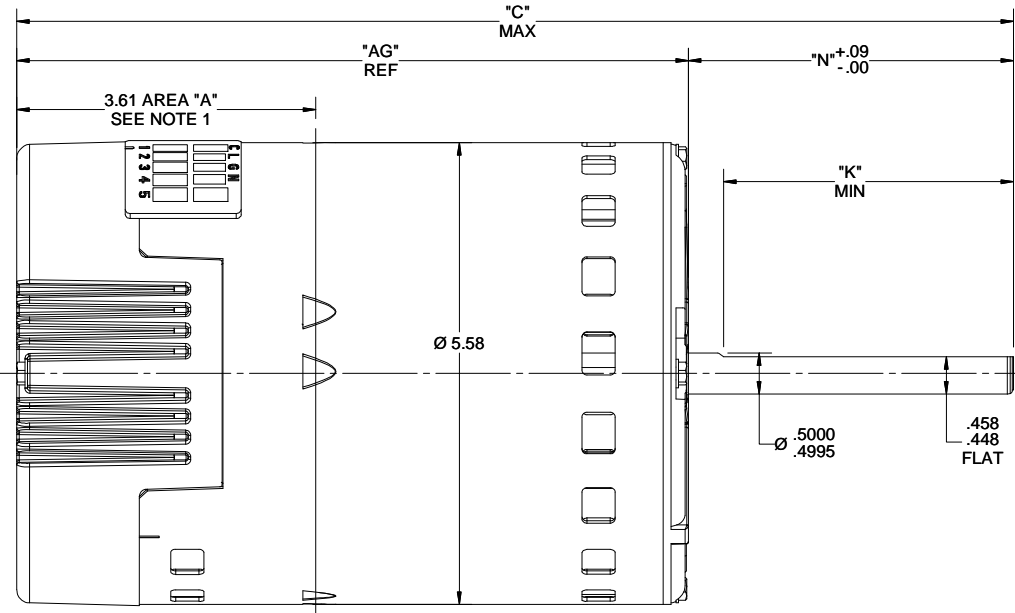
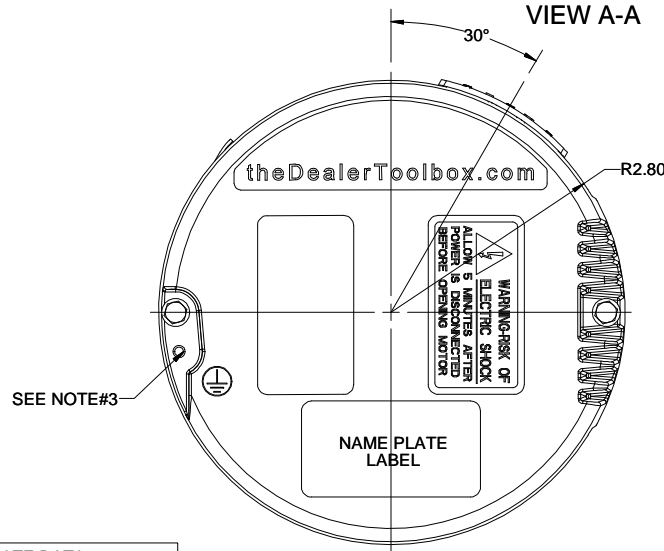
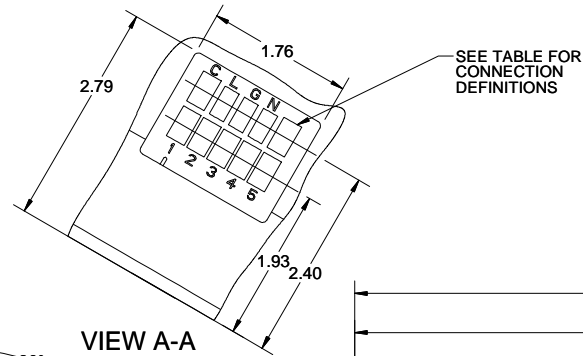
Electrical Type	Electronically Commutated Motor	Poles	12
Rotation	Reversible	Mounting	Round
Motor Orientation	Vertical Shaft Down	Drive End Bearing	Ball
Opp Drive End Bearing	Ball	Frame Material	Rolled Steel
Shaft Type	Flat	Overall Length	12.03 in
Frame Length	6.32 in	Shaft Diameter	0.500 in
Shaft Extension	3.92 in		

This is an uncontrolled document once printed or downloaded and is subject to change without notice. Date Created:25/10/2019

CONNECTOR ID	DESCRIPTION	OPERATING MODE
C	SIGNAL COMMON	SIGNAL COMMON
L	LINE 1	LINE 1
G	GROUND	GROUND
N	LINE 2	LINE 2
1	TAP 1	LOW (PWM)
2	TAP 2	MED-LOW
3	TAP 3	MED
4	TAP 4	MED-HIGH
5	TAP 5	HIGH

NOTE:

1. BELLY BAND MUST NOT BE PLACED WITHIN AREA "A"
2. APPROXIMATE WEIGHT IS 19.86 LB
3. OPTIONAL EXTERNAL #8 SELF TAPPING GROUND SCREW AND TERMINAL MAY BE PROVIDED BY CUSTOMER AT LOCATION SHOWN.



NAMEPLATE DATA	
MODEL	5SME39SXL5034
CUSTOMER	DEF PUR
CPN/STOCK NO.	STOCK NO 6410
H.P.	1
RPM	1075
VOLTS	460
HZ	60/50
AMPS	4.0
ROTATION	CCW/CW
MTG POSITION	HOR/VSD

12.03	3.92	3.50	8.11
C	N	K	AG

DRAWING REVISION G	REVISION BY KEP	DATE 01/04/2018
ECO ECO-0137352	APPROVED BY ANDREA	DATE 01/04/2018
ECO DESCRIPTION UPDATED AS PER ECO REQUEST		
<small>COPYRIGHT REGAL BELOIT AMERICA, INC. ALL RIGHTS RESERVED. PROPRIETARY AND CONFIDENTIAL INFORMATION - THIS DOCUMENT IS THE PROPERTY OF REGAL BELOIT AMERICA, INC. ("OWNER") AND CONTAINS OWNER'S PROPRIETARY INFORMATION. ANY PERSON, CORPORATION OR OTHER FIRM RECEIVING IT IS DEEMED, BY RECEIVING IT, TO AGREE THAT IT, AND/OR ANY PART OF IT, SHALL NOT BE DISCLOSED TO ANY PERSON, CORPORATION OR OTHER ENTITY, DUPLICATED, AND/OR USED, EXCEPT AS EXPRESSLY APPROVED IN WRITING IN ADVANCE BY OWNER. THIS DOCUMENT SHALL BE RETURNED TO OWNER UPON REQUEST. IT MAY BE SUBJECT TO CERTAIN RESTRICTIONS UNDER APPLICABLE EXPORT CONTROL LAWS AND REGULATIONS.</small>		

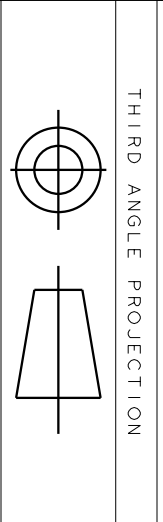
TOLERANCES UNLESS OTHERWISE SPECIFIED:			
DEC.	INCH	mm	ANGLE
.X	±0.1	[±2.5]	±0.5°
.XX	±0.03	[±0.76]	
.XXX	±0.005	[±0.127]	
.XXXX	±0.0005	[±0.0127]	
REMOVE BURRS & BREAK SHARP EDGES: .003/.015 [.076/.381] X 45°			
CORNER FILLETS: R.02 [.51]			
MACHINED SURFACES: 125/3.2			
mm SHOWN IN [BRACKETS]			

DRAWN BY VB	DATE 09/02/2015
APPROVED BY VB	DATE 09/02/2015
REFERENCE	
THIRD ANGLE PROJECTION	

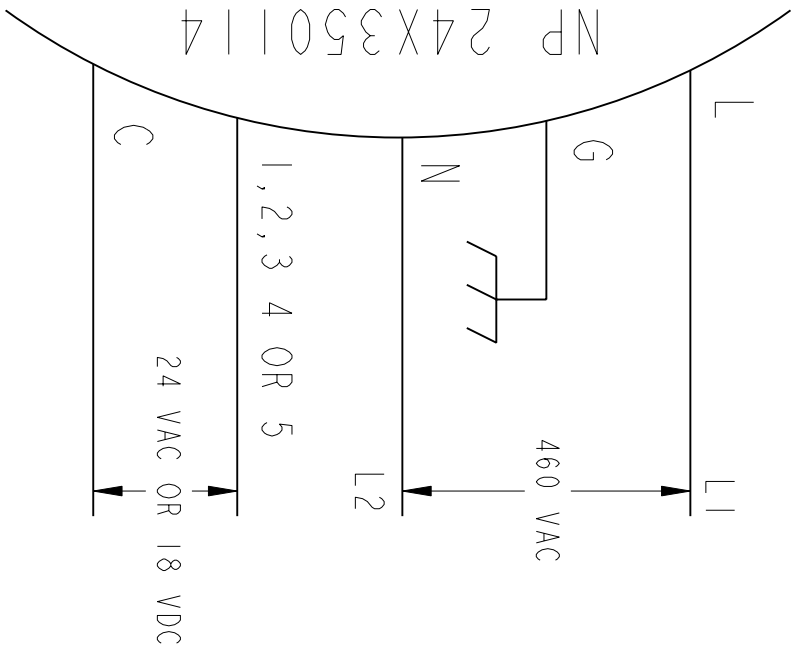
Regal Beloit America, Inc.	
DESCRIPTION OUTLINE Evergreen CM - 460V	
MATERIAL	PROCESS/FINISH
SIZE B	DRAWING NUMBER 5SME39SXL5034
	SHEET 1 OF 1

REGAL PROPRIETARY AND CONFIDENTIAL INFORMATION
 This document is the property of REGAL-BELOIT CORPORATION ("REG") including its subsidiaries and divisions and contains proprietary information of REG. This document is loaned on the express condition that neither REG nor its subsidiaries, divisions, or affiliates shall be allowed to disseminate, copy, reproduce, or otherwise use the information contained herein without the express written permission of REG. This document shall be returned to REG upon its request. This document may be subject to certain restrictions under U.S. export control laws and regulations.

REVISIONS		DATE	APPROVED
REV.	DESCRIPTION		



460V UNIT CONNECTION



FOR ADDITIONAL INFO REFER TO:	SIGNATURES	DATE
APPLIED PRACTICES	MODEL	
DIMENSIONS ARE IN INCHES	DETAIL	
TOLERANCE ON:	CHECKED	2/04/2010
1 PL DECIMALS ± 0.1		
2 PL DECIMALS ± 0.01		
3 PL DECIMALS ± 0.005		
ANGLES ± 0.5		
FRACTIONS ±		
FINISH	QUALITY	
ISSUED	Prashant.B	2/04/2010
SOLID MODEL:		

REGAL-BELOIT CORPORATION

NAME PLATE CONNECTION DIAGRAM

FMF X13 - 460V MODELS

24X350114

SCALE: A

SHEET 1 of 1