

PRODUCT INFORMATION PACKET



Model No: 6303

Catalog No: 6303

1/3 HP Condenser Fan Motor, 850/1100 RPM, 2 Speed, 208-230 Volts, 48 Frame, TEAO
Condenser Fans Motors



Regal and Genteq are trademarks of Regal Beloit Corporation or one of its affiliated companies.
©2019 Regal Beloit Corporation, All Rights Reserved. MC017097E

The Regal logo consists of the word "REGAL" in a bold, uppercase, sans-serif font, set within a dark grey, trapezoidal shape that tapers to the right.

REGAL



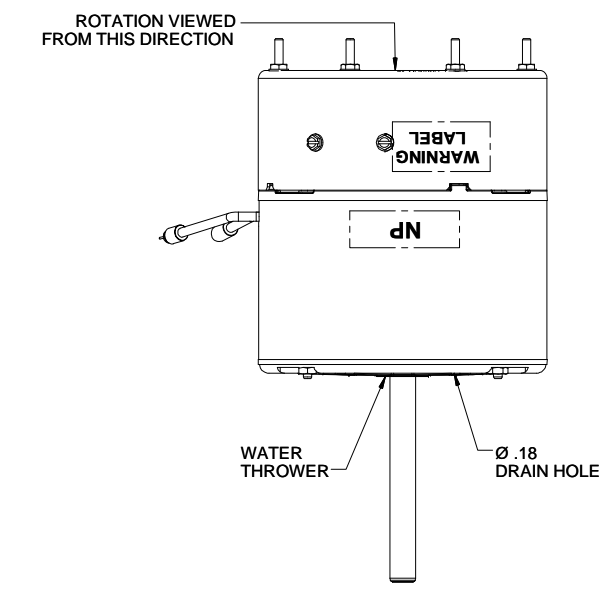
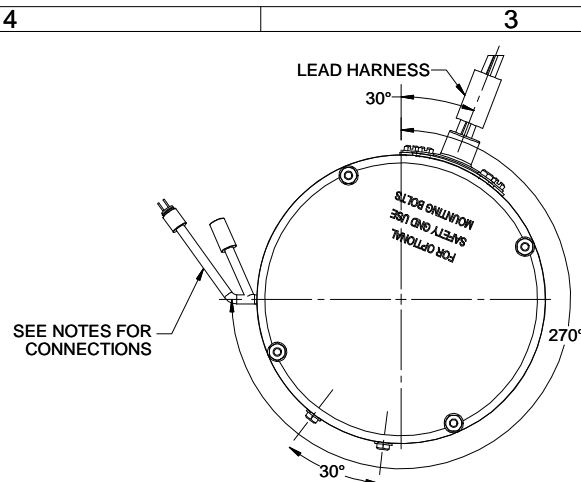
Nameplate Specifications

Output HP	1/3 Hp	Frequency	60 Hz
Voltage	208-230 V	Current	3.5 A
Speed	850/1100 rpm	Service Factor	1
Phase	1	Duty	Continuous Air Over
Insulation Class	B	Frame	48
Enclosure	Totally Enclosed Air Over	Thermal Protection	No
Ambient Temperature	60 °C	UL	Recognized
CSA	N	CE	N

Technical Specifications

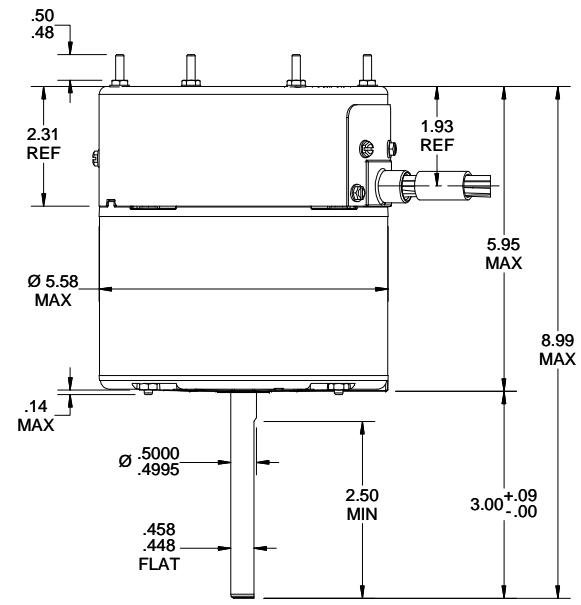
Electrical Type	Electronically Commutated Motor	Poles	12
Rotation	Reversible	Mounting	Extended Studs
Motor Orientation	Vertical Shaft Down	Drive End Bearing	Ball
Opp Drive End Bearing	Ball	Frame Material	Rolled Steel
Shaft Type	Flat	Overall Length	8.99 in
Frame Length	3.07 in	Shaft Diameter	0.500 in
Shaft Extension	3.00 in	Thru-bolts Extension	0.14 in

This is an uncontrolled document once printed or downloaded and is subject to change without notice. Date Created:04/11/2019



COLOR	TERMINAL	CUSTOMER CONNECTION	CUSTOMER LEAD LENGTH	OPTION-1	OPTION-2
BLACK	0.25 M/F	L1	54"	208-230 VAC	208-230 VAC
WHITE	0.25 FE ISQC	L2	54"	208-230 VAC	208-230 VAC
GRN / YEL	#10 EYELET	GROUND	54"	GND	GND
ORANGE	0.25 FE ISQC	SIGNAL	54"	208-230 VAC	
YELLOW	0.25 FE ISQC	SIGNAL	54"		208-230 VAC
				RPM	850 1100
				ROTATION	CCW CCW
				ECM TOOL BOX ID	SPEED 1 SPEED 2

NAMEPLATE DATA	
MODEL	5SME39HLHE611
CUSTOMER	DEF PUR
CPN/STOCK NO	STOCK NO 6303
HP	1/3
RPM	850/1100
VOLTS	208-230
HZ	60/50
AMPS	3.5
ROTATION	CCW/CW
MTG. POSITION	VSD
APP.MTWT.	12 lbs
NP LABEL	WHITE COLOR



Reversible lead connections

- 1) Yellow from Motor to Connector (Old Red Wire)
- 2) Purple from Connector to ECM 3 pin plug
- 3) Orange from Motor to Connector (Old Black Wire)
- 4) Brown from Connector to ECM 3 pin plug

DRAWING REVISION K	REVISION BY KEP	DATE 12/26/2017	TOLERANCES UNLESS OTHERWISE SPECIFIED: DEC. INCH mm ANGLE ±0.5° X ±0.1 [+2.5] .XX ±0.03 [+0.76] .XXX ±0.005 [+0.127] .XXXX ±0.0005 [+0.0127]	DRAWN BY SVK	Regal Beloit America, Inc.
ECO ECO-0129397	APPROVED BY ANDREA	DATE 12/26/2017	REMOVE BURRS & BREAK SHARP EDGES: .003/.015 [.076/.381] X 45° CORNER FILLETS: R.02 [.51]	DATE 08/01/2012	
ECO DESCRIPTION UPDATED RPM VALUE PER ECO-0129397 COPYRIGHT REGAL BELOIT AMERICA, INC. ALL RIGHTS RESERVED. PROPRIETARY AND CONFIDENTIAL INFORMATION - THIS DOCUMENT IS THE PROPERTY OF REGAL BELOIT AMERICA, INC. ("OWNER") AND CONTAINS OWNER'S PROPRIETARY INFORMATION. ANY PERSON, CORPORATION OR OTHER FIRM RECEIVING IT IS DEEMED, BY RECEIVING IT, TO AGREE THAT IT, AND/OR ANY PART OF IT, SHALL NOT BE DISCLOSED TO ANY PERSON, CORPORATION OR OTHER ENTITY, DUPLICATED, AND/OR USED, EXCEPT AS EXPRESSLY APPROVED IN WRITING IN ADVANCE BY OWNER. THIS DOCUMENT SHALL BE RETURNED TO OWNER UPON REQUEST. IT MAY BE SUBJECT TO CERTAIN RESTRICTIONS UNDER APPLICABLE EXPORT CONTROL LAWS AND REGULATIONS.				APPROVED BY MVN	DESCRIPTION OUTLINE EVERGREEN OM - 142R - REVERSIBLE LEADS
			MACHINED SURFACES: 125/3.2 INCH mm mm SHOWN IN [BRACKETS]	DATE 08/01/2012	MATERIAL PROCESS/FINISH
				REFERENCE	
				THIRD ANGLE PROJECTION	SIZE B
					DRAWING NUMBER 5SME39HLHE611
					SHEET 1 OF 1