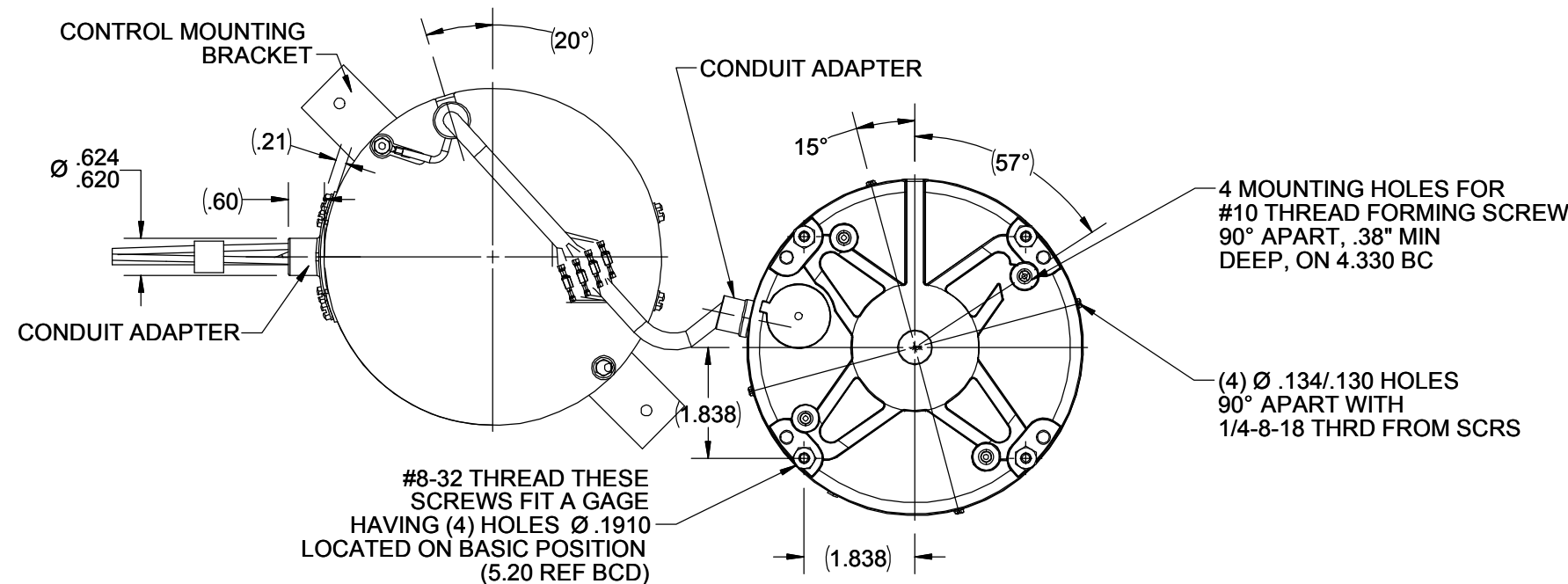


4

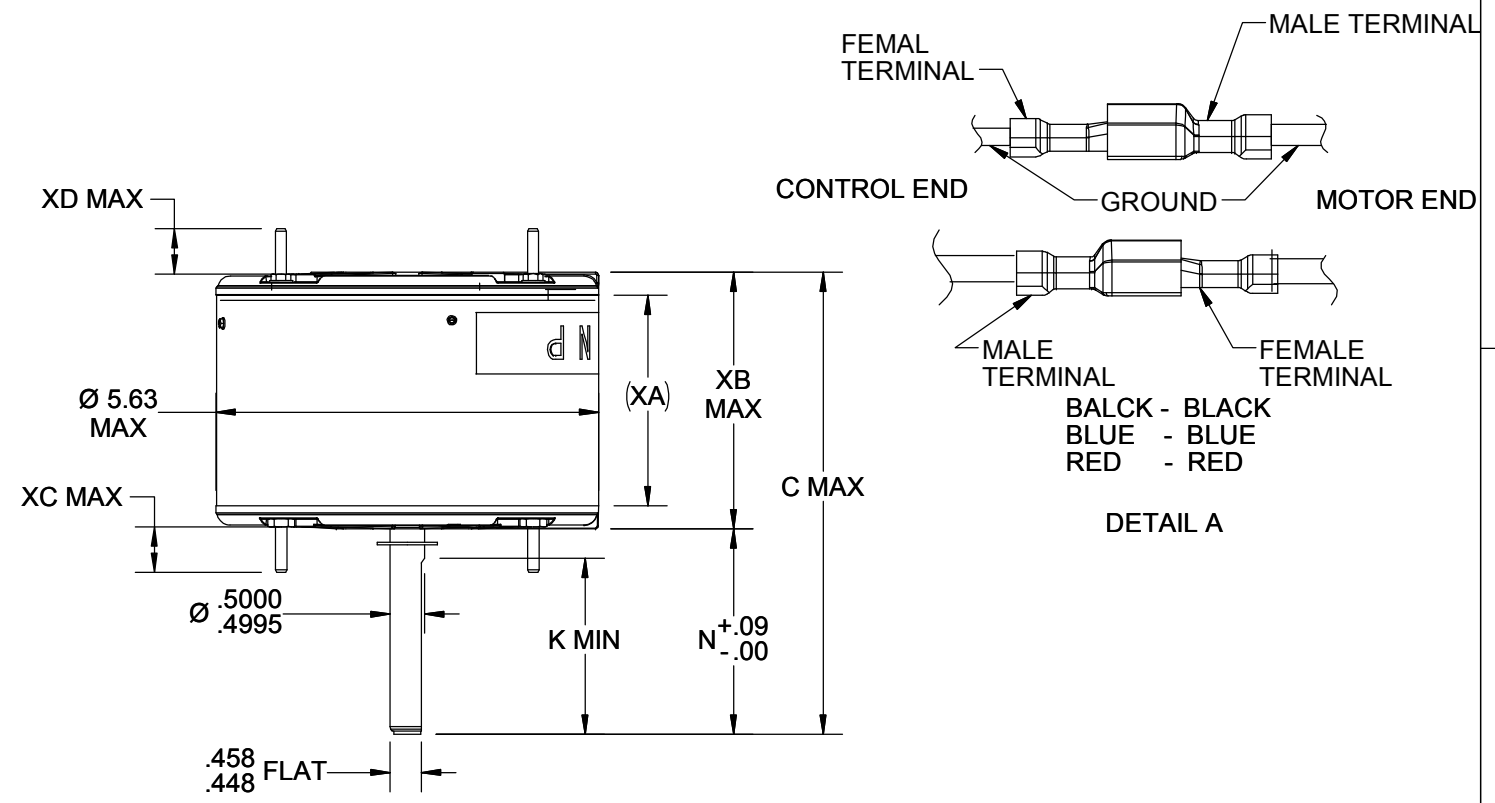
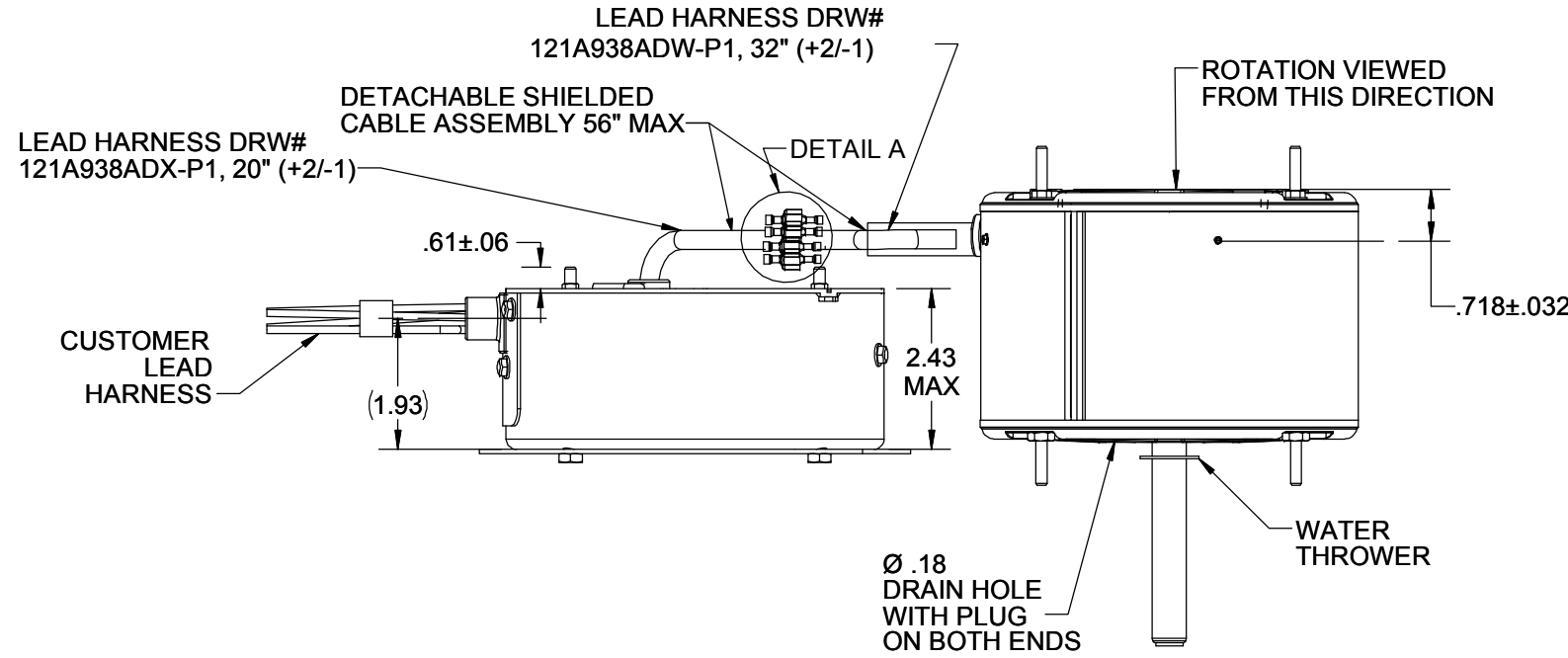
3

2

1



COLOR	TERMINAL	CUSTOMER LEAD LENGTH	CUSTOMER CONNECTION	OPTION-1	OPTION-2
BLACK	0.25" M/F	54"	L1	208-230 VAC	208-230 VAC
WHITE	0.25" ISQC	54"	L2	208-230 VAC	208-230 VAC
GRN/YEL	#10 EYELET	54"	GROUND	GND	GND
YELLOW	0.25" ISQC	54"	SIGNAL	208-230 VAC	
ORANGE	0.25" ISQC	54"	SIGNAL		208-230 VAC
				RPM	1100 850
				ROTATION	CCW CCW
				ECM TOOLBOX ID	SPEED 1 SPEED 2



NOTE:
IT WILL BE THE RESPONSIBILITY OF THE CUSTOMER, TO DETERMINE IF GROUNDING THE MOTOR MODULE IS REQUIRED IN THEIR APPLICATION, FOR TETHERED MOTOR PHASE LEADS LONGER THAN 52 INCHES IN LENGTH

NAMEPLATE DATA	
MODEL	5SME39HSHF206
STOCK/CPN#	6303R
HP	1/3
RPM	850/1100
VOLTS	208-230
HZ	60/50
AMPS	3.5
ROTATION	CCW
NP LABEL	WHITE COLOR

ADDITIONAL INFO	
CUSTOMER	DEFPUR
APP.MT.WT	12 lbs
MTG.POSITION	VSD

DRAWING REVISION	REVISION BY	REV DATE/© DATE
G	PR	9/30/2019
ECO	APPROVED BY	DATE
ECO-0174173	ANDREA	9/30/2019
ECO DESCRIPTION		
PROD RELEASE		
<small>COPYRIGHT (PER REVISION DATE) REGAL BELOIT AMERICA, INC. ALL RIGHTS RESERVED. PROPRIETARY AND CONFIDENTIAL INFORMATION - THIS DOCUMENT IS THE PROPERTY OF REGAL BELOIT AMERICA, INC. ("OWNER") AND CONTAINS OWNER'S PROPRIETARY INFORMATION. ANY PERSON, CORPORATION OR OTHER FIRM RECEIVING IT IS DEEMED, BY RECEIVING IT, TO AGREE THAT IT, AND/OR ANY PART OF IT, SHALL NOT BE DISCLOSED TO ANY PERSON, CORPORATION OR OTHER ENTITY, DUPLICATED, AND/OR USED, EXCEPT AS EXPRESSLY APPROVED IN WRITING IN ADVANCE BY OWNER. THIS DOCUMENT SHALL BE RETURNED TO OWNER UPON REQUEST. IT MAY BE SUBJECT TO CERTAIN RESTRICTIONS UNDER APPLICABLE EXPORT CONTROL LAWS AND REGULATIONS.</small>		

TOLERANCES (EXCEPT AS NOTED):
 DEC. INCH mm ANGLE
 .X ±0.1 [±3] ±0.5°
 .XX ±0.03 [±0.8]
 .XXX ±0.005 [±0.13]
 .XXXX ±0.0005 [±0.013]
 REMOVE BURRS & BREAK SHARP EDGES: .003/.015 [.08/.38] X 45°
 CORNER FILLETS: R.02 [.5]
 MACHINED SURFACES: 125/3.2 INCH/mm
 mm DIMENSIONS IN [BRACKETS] ARE FOR REFERENCE ONLY

9.79	5.50	5.00	3.57	4.23	1.09	0.75
C MAX	N	K	XA	XB	XC	XD
DRAWN BY KEP		REGAL Regal Beloit America, Inc.				
DATE 08/12/2016		DESCRIPTION OUTLINE ECM 142R				
APPROVED BY M COLE		MATERIAL 5SME39NSHF147				
DATE 08/12/2016		PROCESS/FINISH				
REFERENCE 5SME39NSHF147		SIZE B		DRAWING NUMBER 5SME39HSHF206		SHEET 1 OF 1
THIRD ANGLE PROJECTION						

4

3

2

1