

PRODUCT INFORMATION PACKET



Model No: 6301

Catalog No: 6301

1/5 HP Condenser Fan Motor, 850/1100 RPM, 2 Speed, 208-230 Volts, 48 Frame, TEAO
Condenser Fans Motors



Regal and Genteq are trademarks of Regal Beloit Corporation or one of its affiliated companies.
©2020 Regal Beloit Corporation, All Rights Reserved. MC017097E





Nameplate Specifications

Output HP	1/5 Hp	Output KW	0.15 kW
Frequency	60 Hz	Voltage	208-230 V
Current	2.8 A	Speed	850/1100 rpm
Service Factor	1	Phase	1
Duty	Continuous Air Over	Insulation Class	B
Frame	48	Enclosure	Totally Enclosed Air Over
Thermal Protection	No	Ambient Temperature	60 °C
UL	Recognized	CSA	N
CE	N		

Technical Specifications

Electrical Type	Electronically Commutated Motor	Poles	12
Rotation	Reversible	Mounting	Extended Studs
Motor Orientation	Vertical Shaft Down	Drive End Bearing	Ball
Opp Drive End Bearing	Ball	Frame Material	Rolled Steel
Shaft Type	Flat	Overall Length	8.49 in
Frame Length	2.57 in	Shaft Diameter	0.500 in
Shaft Extension	3.00 in	Thru-bolts Extension	0.14 in
Outline Drawing	5SME39DLHE616	Connection Drawing	N/R

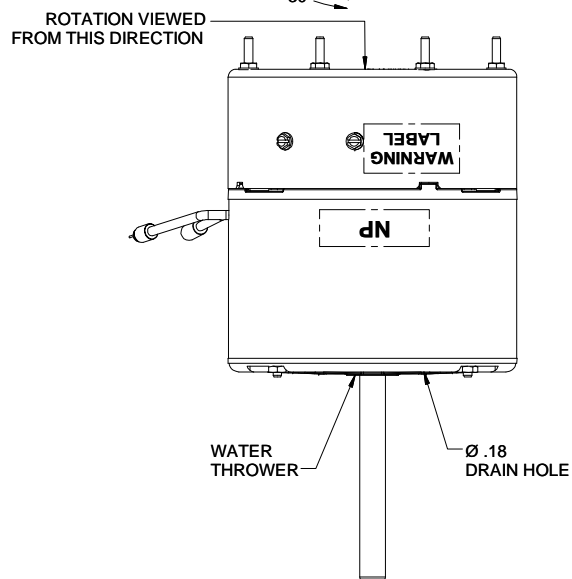
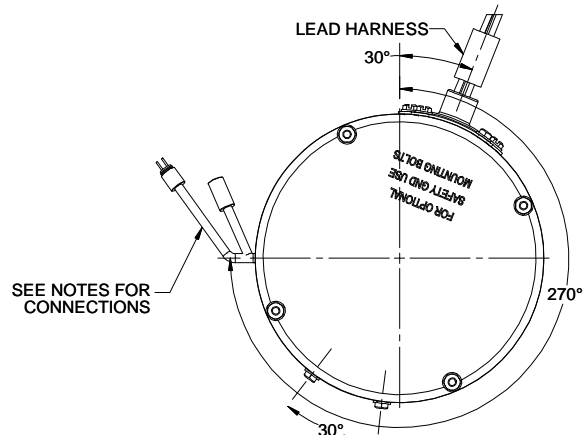
This is an uncontrolled document once printed or downloaded and is subject to change without notice. Date Created:06/11/2020

4

3

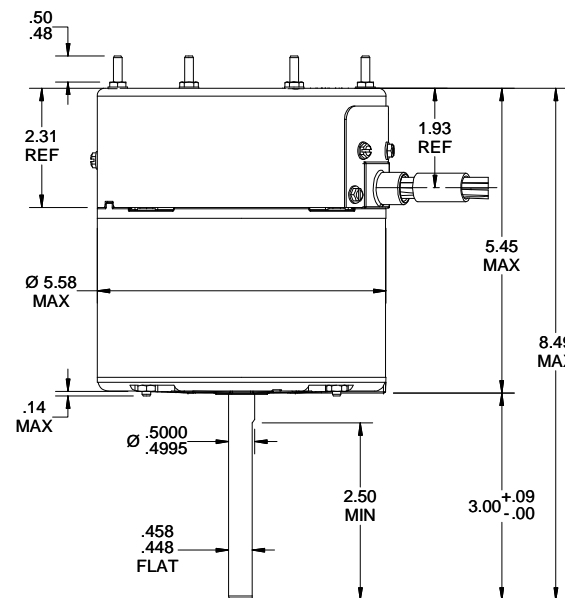
2

1



COLOR	TERMINAL	CUSTOMER CONNECTION	CUSTOMER LEAD LENGTH	OPTION-1	OPTION-2
BLACK	0.25 M/F	L1	54"	208-230 VAC	208-230 VAC
WHITE	0.25 FE ISQC	L2	54"	208-230 VAC	208-230 VAC
GRN / YEL	#10 EYELET	GROUND	54"	GND	GND
ORANGE	0.25 FE ISQC	SIGNAL	54"	208-230 VAC	
YELLOW	0.25 FE ISQC	SIGNAL	54"		208-230 VAC
RPM				850	1100
ROTATION				CCW	CCW
ECM TOOL BOX ID				SPEED 1	SPEED 2

NAMEPLATE DATA	
MODEL	5SME39DLHE616
CUSTOMER	DEF PUR
CPN/STOCK NO	STOCK NO 6301
HP	1/5
RPM	850/1100
VOLTS	208-230
HZ	60/50
AMPS	2.8
ROTATION	CCW/CW
MTG. POSITION	VSD
APP.MTWT.	9 lbs
NP LABEL	WHITE COLOR



Reversible lead connections

- 1) Yellow from Motor to Connector (Old Red Wire)
- 2) Purple from Connector to ECM 3 pin plug
- 3) Orange from Motor to Connector (Old Black Wire)
- 4) Brown from Connector to ECM 3 pin plug

DRAWING REVISION L	REVISION BY KEP	DATE 12/26/2017
ECO ECO-0129397	APPROVED BY ANDREA	DATE 12/26/2017
ECO DESCRIPTION UPDATED RPM VALUE PER ECO-0129397		
<small> COPYRIGHT REGAL BELOIT AMERICA, INC. ALL RIGHTS RESERVED. PROPRIETARY AND CONFIDENTIAL INFORMATION - THIS DOCUMENT IS THE PROPERTY OF REGAL BELOIT AMERICA, INC. ("OWNER") AND CONTAINS OWNER'S PROPRIETARY INFORMATION. ANY PERSON, CORPORATION OR OTHER FIRM RECEIVING IT IS DEEMED, BY RECEIVING IT, TO AGREE THAT IT, AND/OR ANY PART OF IT, SHALL NOT BE DISCLOSED TO ANY PERSON, CORPORATION OR OTHER ENTITY, DUPLICATED, AND/OR USED, EXCEPT AS EXPRESSLY APPROVED IN WRITING IN ADVANCE BY OWNER. THIS DOCUMENT SHALL BE RETURNED TO OWNER UPON REQUEST. IT MAY BE SUBJECT TO CERTAIN RESTRICTIONS UNDER APPLICABLE EXPORT CONTROL LAWS AND REGULATIONS. </small>		

TOLERANCES UNLESS OTHERWISE SPECIFIED:		
DEC.	INCH	mm
.X	+0.1	[+2.5]
.XX	+0.03	[+0.76]
.XXX	+0.005	[+0.127]
.XXXX	+0.0005	[+0.0127]
REMOVE BURRS & BREAK SHARP EDGES: .003/.015 [.076/.381] X 45 °		
CORNER FILLETS: R.02 [.51]		
MACHINED SURFACES: 125/3.2		
mm SHOWN IN [BRACKETS]		

DRAWN BY SVK	DATE 08/01/2012
APPROVED BY MVN	DATE 08/01/2012
REFERENCE	
THIRD ANGLE PROJECTION	

Regal Beloit America, Inc.	
DESCRIPTION	OUTLINE EVERGREEN OM - 142R RVRS LEADS
MATERIAL	PROCESS/FINISH
SIZE B	DRAWING NUMBER 5SME39DLHE616
	SHEET 1 OF 1

4

3

2

1