

# PRODUCT INFORMATION PACKET



Model No: 6010

Catalog No: 6010

1 HP Fan & Blower Motor, 1075 RPM, 5 Speed, 115/230 Volts, 48 Frame, Semi Enclosed  
Direct Drive Motors



Regal and Marathon are trademarks of Regal Beloit Corporation or one of its affiliated companies.  
©2019 Regal Beloit Corporation, All Rights Reserved. MC017097E1

The word "REGAL" in a bold, white, sans-serif font, set against a dark grey, trapezoidal background. This logo is positioned on a blue, textured vertical band that runs down the right side of the page.

REGAL



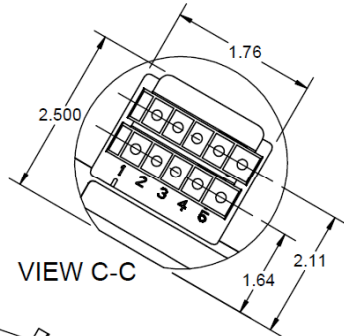
**Nameplate Specifications**

Output HP	<b>1 Hp</b>	Frequency	<b>60 Hz</b>
Voltage	<b>115/230 V</b>	Current	<b>11.0/6.7 A</b>
Speed	<b>1075 rpm</b>	Service Factor	<b>1</b>
Phase	<b>1</b>	Duty	<b>Continuous Air Over</b>
Insulation Class	<b>B</b>	Frame	<b>48</b>
Enclosure	<b>Open Air Over</b>	Thermal Protection	<b>No</b>
Ambient Temperature	<b>40 °C</b>	UL	<b>No</b>
CSA	<b>N</b>	CE	<b>N</b>

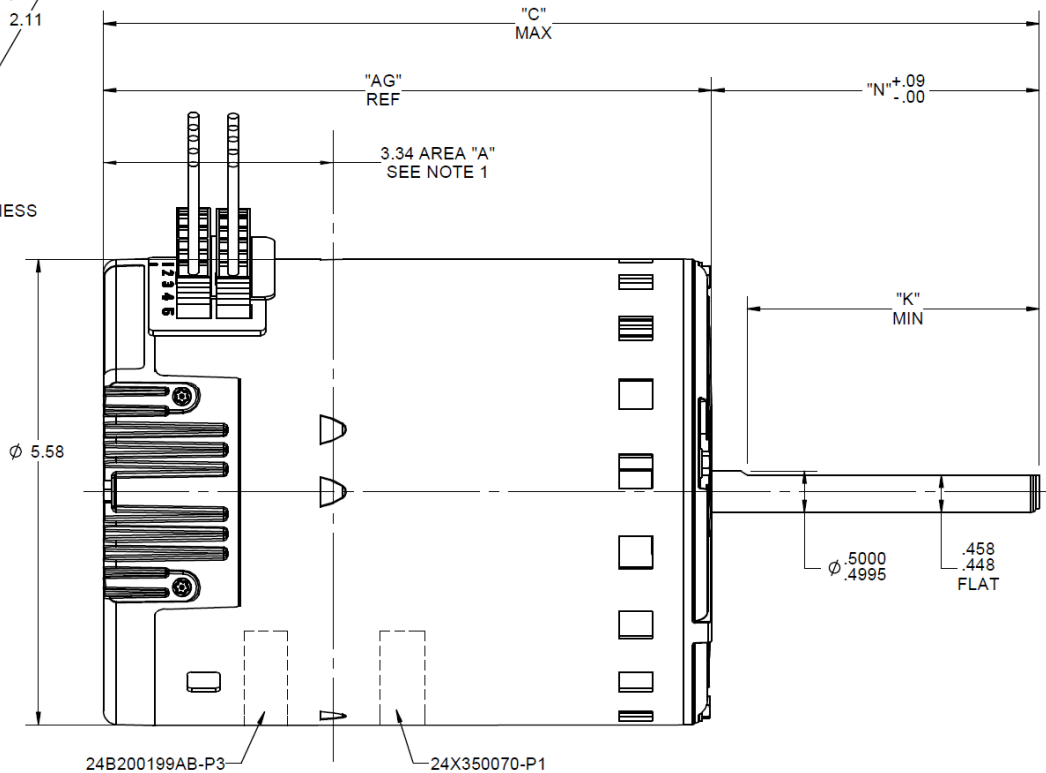
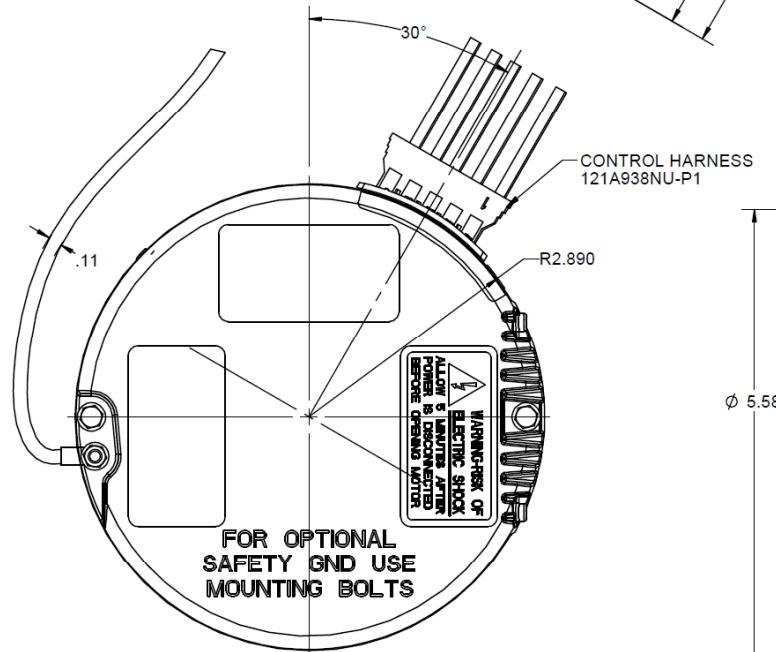
**Technical Specifications**

Electrical Type	<b>Electronically Commutated Motor</b>	Poles	<b>12</b>
Rotation	<b>Reversible</b>	Mounting	<b>Round</b>
Motor Orientation	<b>Horizontal</b>	Drive End Bearing	<b>Ball</b>
Opp Drive End Bearing	<b>Ball</b>	Frame Material	<b>Rolled Steel</b>
Shaft Type	<b>Flat</b>	Overall Length	<b>12.76 in</b>
Frame Length	<b>6.32 in</b>	Shaft Diameter	<b>0.500 in</b>
Shaft Extension	<b>4.92 in</b>		

This is an uncontrolled document once printed or downloaded and is subject to change without notice. Date Created:27/09/2019



- NOTE:
1. BELLY BAND MUST NOT BE PLACED WITHIN AREA "A"
  2. APPROXIMATE WEIGHT IS 19.0 LB
  3. CONTROL LEAD HARNESS SHOWN IS TO BE ATTACHED TO MOTOR BY CUSTOMER



NAMEPLATE DATA	
MODEL	5SME39SXL111
CUSTOMER	DEF PUR
CPN/STOCK NO.	STOCK NO 6010
H.P.	1
RPM	1075
VOLTS	115/230
HZ	60/50
AMPS	11.0/6.7
ROTATION	CCW/CW

12.76	4.92	4.50	7.84
C	N	K	AG

DRAWING REVISION D	REVISION BY KEP	DATE 12/20/2017	TOLERANCES UNLESS OTHERWISE SPECIFIED:
ECO ECO-0135539	APPROVED BY ANDREA	DATE 12/20/2017	DEC INCH mm ANGLE .X ±0.1 [±2.5] ±0.5° .XX ±0.03 [±0.76] .XXX ±0.005 [±0.127] XXXX ±0.0005 [±0.0127]
ECO DESCRIPTION REDRAWN IN SW WITH NEW REGAL TEMPLATE			REMOVE BURRS & BREAK SHARP EDGES: .003/.015 [.076/.381] X 45° CORNER FILLETS: R.02 [.51] MACHINED SURFACES: 125 INCH/mm 3.2
<small>COPYRIGHT REGAL BELOIT AMERICA, INC. ALL RIGHTS RESERVED.          PROPRIETARY AND CONFIDENTIAL INFORMATION - THIS DOCUMENT IS THE PROPERTY OF          REGAL BELOIT AMERICA, INC. (OWNER) AND CONTAINS OWNERS PROPRIETARY          INFORMATION. ANY PERSON, CORPORATION OR OTHER FIRM RECEIVING IT IS DEEMED,          BY RECEIVING IT, TO AGREE THAT IT, AND/OR ANY PART OF IT, SHALL NOT BE DISCLOSED          TO ANY PERSON, CORPORATION OR OTHER ENTITY, DUPLICATED, AND/OR USED, EXCEPT          AS EXPRESSLY APPROVED IN WRITING IN ADVANCE BY OWNER. THIS DOCUMENT SHALL          BE RETURNED TO OWNER UPON REQUEST. IT MAY BE SUBJECT TO CERTAIN          RESTRICTIONS UNDER APPLICABLE EXPORT CONTROL LAWS AND REGULATIONS.</small>			

DRAWN BY GEETHA	DATE 08/28/08
APPROVED BY GEETHA	DATE 08/28/08
REFERENCE	THIRD ANGLE PROJECTION

<b>REGAL</b> ™ Regal Beloit America, Inc.	
DESCRIPTION <b>OUTLINE</b> EVERGREEN IM 1HP, 115 OR 230V	
MATERIAL	PROCESS/FINISH
SIZE <b>B</b>	DRAWING NUMBER <b>5SME39SXL111</b>
	SHEET 1 OF 1