

# PRODUCT INFORMATION PACKET



Model No: 53  
Catalog No: 53  
1/12 HP Condenser Fan Motor, 1550 RPM, 115 Volts, 4.3",OAO  
Condenser Fans Motors



Regal and Century are trademarks of Regal Beloit Corporation or one of its affiliated companies.  
©2020 Regal Beloit Corporation, All Rights Reserved. MC017097E

The REGAL logo is a grey rectangular box with the word 'REGAL' in white, bold, sans-serif capital letters. It is positioned on a blue and black halftone patterned background that runs vertically down the right side of the page.

REGAL



**Nameplate Specifications**

Output HP	1/12 Hp	Output KW	0.06 kW
Frequency	60 Hz	Voltage	115 V
Current	2.6 A	Speed	1550 rpm
Service Factor	1	Phase	1
Duty	Continuous Air Over	Insulation Class	B
Frame	4.4	Enclosure	Open Enclosed
Thermal Protection	Automatic	Ambient Temperature	40 °C
UL	Recognized	CSA	Y
CE	N		

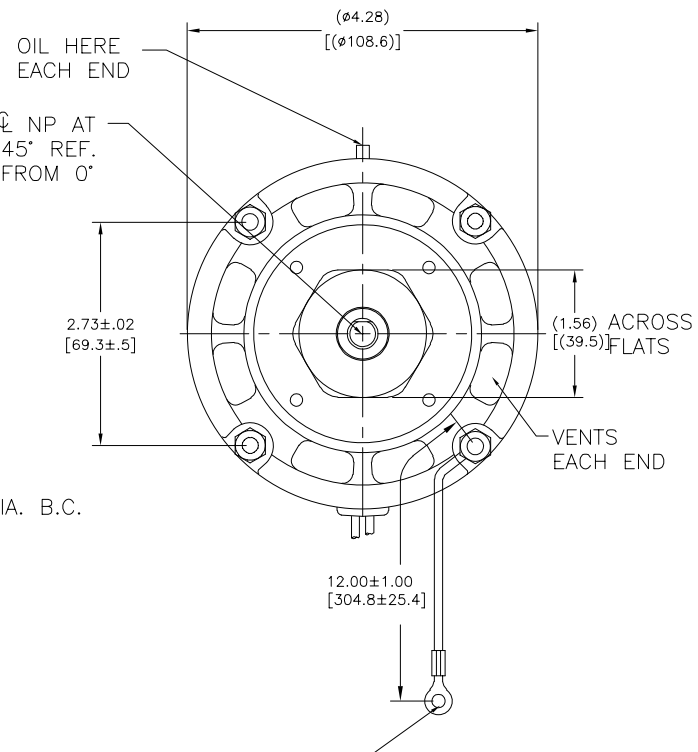
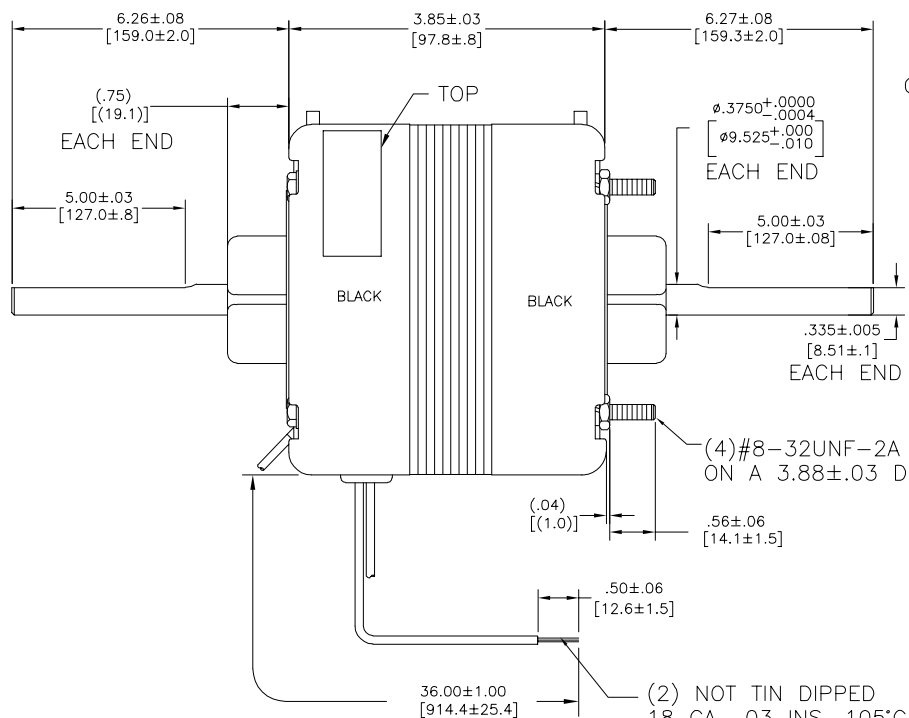
**Technical Specifications**

Electrical Type	Shaded Pole	Starting Method	Across The Line
Poles	4	Rotation	Counterclockwise Lead End
Mounting	Extended Studs	Motor Orientation	Horizontal
Drive End Bearing	Sleeve	Opp Drive End Bearing	Sleeve
Frame Material	Rolled Steel	Shaft Type	Flat
Overall Length	16.38 in	Shaft Diameter	0.375 in
Shaft Extension	6 1/4 X 3/8 X 6 1/4 in		
Outline Drawing	CA2G178-S01		

This is an uncontrolled document once printed or downloaded and is subject to change without notice. Date Created:27/05/2020

CUSTOMER IS SOLELY RESPONSIBLE FOR MOTOR PERFORMANCE AND SUITABILITY IN APPLICATIONS FOR CUSTOMER'S USES

REV	ECO	REV BY	DATE	APPD	DATE
BF	0027378	H.REN	07-13-2012	B.SHEN	07-13-2012



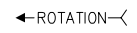
NAMEPLATE DATA:



THERMALLY PROTECTED

SER. DATE PLT MOD CA2G178N# STOCK NO 53  
 115V 60HZ 2.6A 1550RPM 155W 1/12HP 1PH  
 CONT A.O. ASSEMBLED IN MEXICO

Tipp City, OH



GEOMETRIC CHARACTERISTICS & SYMBOLS	UNLESS OTHERWISE SPECIFIED DIM. TOLERANCES ARE AS FOLLOWS:
□ FLATNESS	X XX XXX XXXX
— STRAIGHTNESS	INCH ±.1 ±.02 ±.005 ±.0005
∠ ANGULARITY	mm ±0.5 ±0.13 ±0.013
⊥ PERPENDICULARITY (SQUARENESS)	ANG. ±.50 DEG
∥ PARALLELISM	REMOVE BURRS & BREAK SHARP EDGES:
○ ROUNDNESS (CIRCULARITY)	INCH .003-.015 mm 0.1-.04
⊘ CYLINDRICITY	CORNER FILLETS TO:
⌒ PROFILE OF ANY SURFACE	INCH .020 mm 0.5
⌒ PROFILE OF ANY LINE	MACHINE SURFACES:
↑ RUNOUT	INCH 125 mm 3.2
⊕ TRUE POSITION	
⊙ CONCENTRICITY	
⊖ SYMMETRY	

ASME Y14.5M 1994 METRIC DIMS. SHOWN IN [BRACKETS]

DR BY: \_\_\_\_\_  
 APPD: \_\_\_\_\_  
 THIRD ANGLE PROJECTION  
 CONFIDENTIAL: THIS DRAWING AND ITS INFORMATION ARE THE EXCLUSIVE AND CONFIDENTIAL PROPERTY OF REGAL-BELOIT CORPORATION AND ARE NOT TO BE DISCLOSED, DUPLICATED, DISTRIBUTED OR OTHERWISE USED WITHOUT THE WRITTEN CONSENT OF REGAL-BELOIT CORPORATION. -ALL RIGHTS RESERVED.

REGAL REGAL-BELOIT CORPORATION	
DESCRIPTION OUTLINE	
SIZE C	DWG NO CA2G178
SCALE NONE	SHEET 1

CCWLE BOM CHG [BD]

(1) AMP TERM #350436-2 FOR #10 SCREW ON GREEN GROUND 18 GA. .03 INS. 105°C PVC ON L.E.

(2) NOT TIN DIPPED 18 GA. .03 INS. 105°C PVC LEADS

END PLAY .04[1.0] MAXIMUM

D  
C  
B  
A

D  
C  
B  
A

4

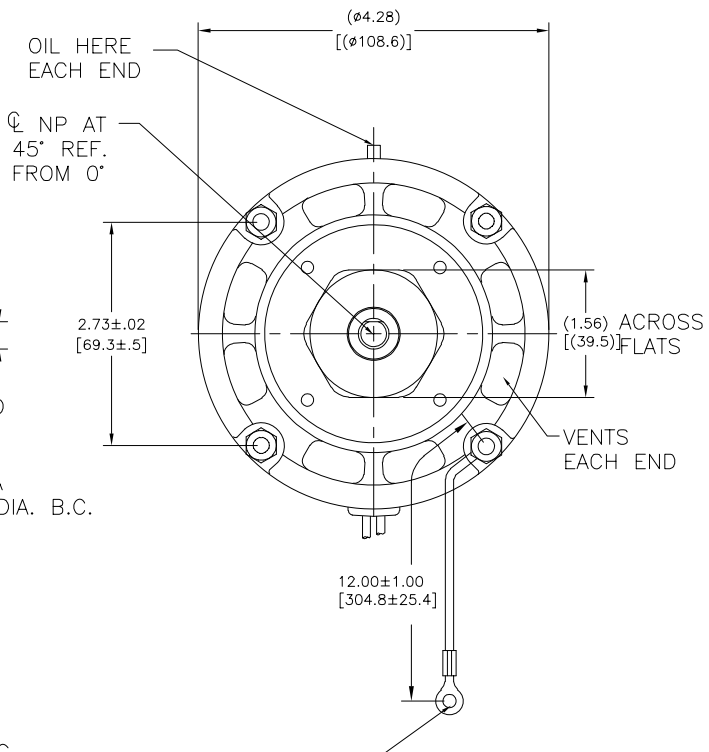
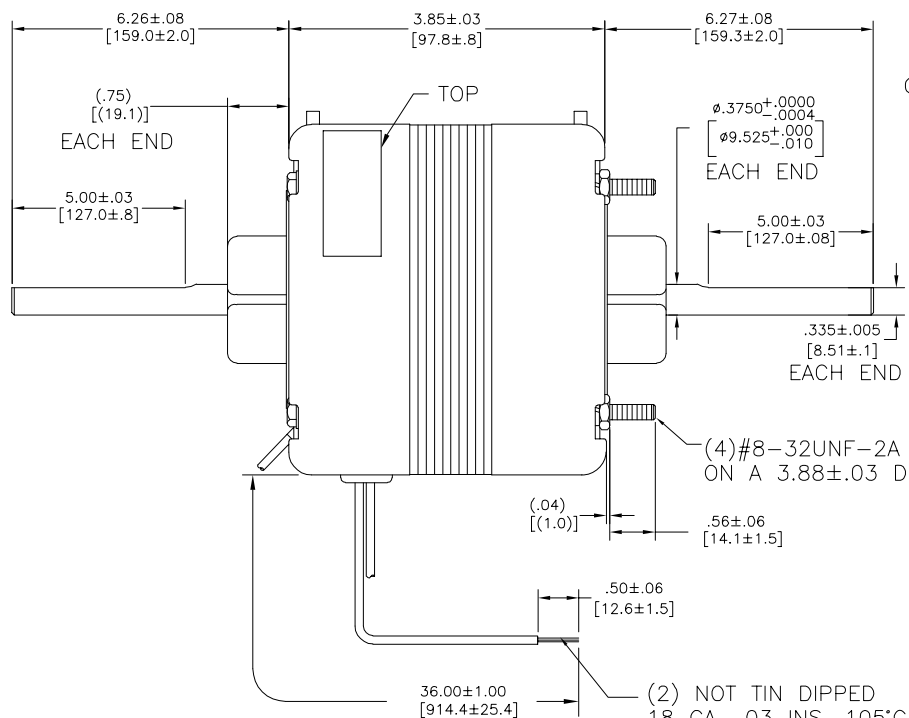
3

2

1

CUSTOMER IS SOLELY RESPONSIBLE FOR MOTOR PERFORMANCE AND SUITABILITY IN APPLICATIONS FOR CUSTOMER'S USES

REVISION:	ECO	REVISADO POR:	FECHA:	APROBADO POR:	FECHA:
BF	0027378	H.REN	07-13-2012	B.SHEN	07-13-2012



OIL HERE EACH END  
 NP AT 45° REF. FROM 0°  
 (1) AMP TERM #350436-2 FOR #10 SCREW ON GREEN GROUND 18 GA. .03 INS. 105°C PVC ON L.E.

(4) #8-32UNF-2A ON A 3.88±.03 DIA. B.C.

(2) NOT TIN DIPPED 18 GA. .03 INS. 105°C PVC LEADS

NAMEPLATE DATA:



THERMALLY PROTECTED

SER. DATE PLT MOD CA2G178N# STOCK NO 53  
 115V 60HZ 2.6A 1550RPM 155W 1/12HP 1PH  
 CONT A.O. ASSEMBLED IN MEXICO

Tipp City, OH



← ROTATION →

CCWLE BOM CHG [BD]

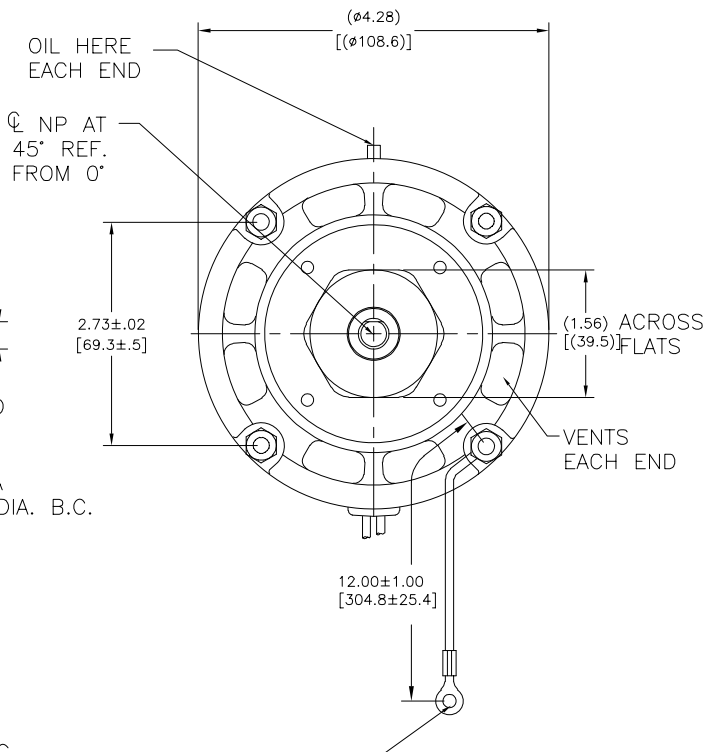
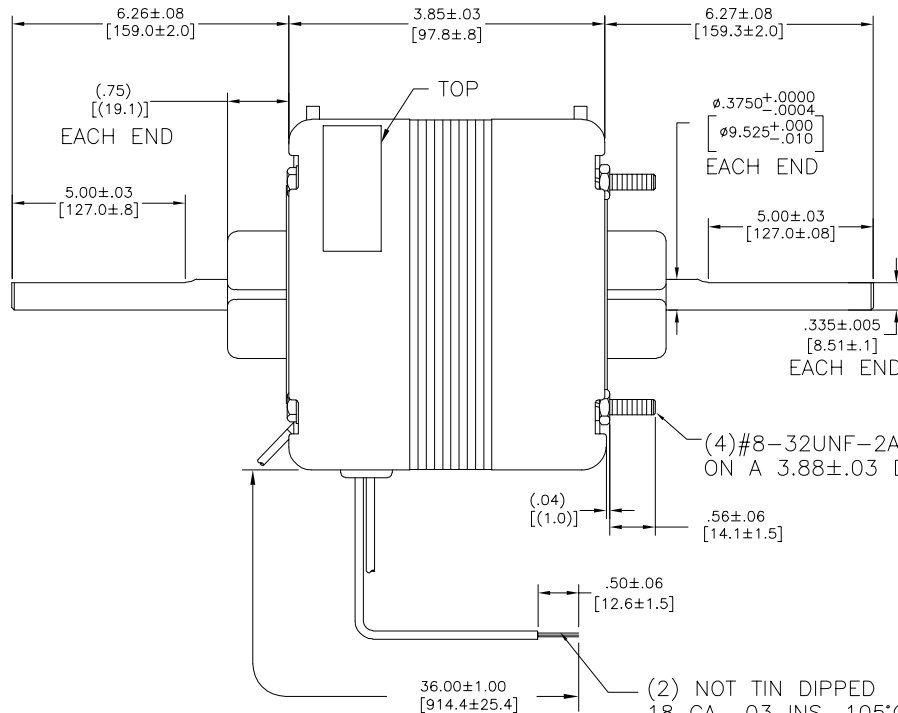
CARACTERÍSTICAS DE GEOMETRIA Y SIMBOLOS ▽ PLANICIDAD ⊥ RECTITUD ∠ ANGULARIDAD ⊥ PERPENDICULARIDAD (A ESQUADRA) // PARALELISMO ○ REDONDEZ (CIRCULARIDAD) ⌀ CILINDRICIDAD ⊖ PERFIL DE CUALQUIER SUPERFICIE ⊕ PERFIL DE CUALQUIER LINEA † VARIACION ⊕ POSICION REAL ⊙ CONCENTRICIDAD ≡ SIMETRIA	A MENOS QUE SE ESPECIFIQUE DE OTRA MANERA, LAS TOLERANCIAS DE LAS DIMS. SON LAS SIGUIENTES: PULG ±.1 ±.02 ±.005 ±.0005 mm ±0.5 ±0.13 ±0.013 ANG. ±.50 GRADOS ELIMINAR REBASAS Y ORILLAS FILOSAS DEL BORDE. PULG .003-.015 mm 0.1-0.4 FILETEAR ESQUINA: PULG .020 mm 0.5 MAQUINAR SUPERFICIES PULG 125 mm 3.2
---	--

DIBUJADO POR: APROBADO POR: TERCER ANGULO DE PROYECCION CONFIDENCIAL: ESTE DIBUJO Y SU INFORMACION SON PROPIEDAD DE USO EXCLUSIVO Y CONFIDENCIAL DE REGAL-BELOIT CORPORATION. Y NO DEBERAN SER REVELADOS, DUPLICADOS, DISTRIBUIDOS O USARSE DE OTRA MANERA SIN EL CONSENTIMIENTO ESCRITO DE REGAL-BELOIT CORPORATION. -TODOS LOS DERECHOS RESERVADOS.	FECHA EDS: 11-11-2011 REV. FORMATO: H
--	--

REGAL-BELOIT CORPORATION	
DESCRIPCION:	OUTLINE
TAMAÑO:	C
NUMERO DE DIBUJO:	CA2G178
ESCALA:	NONE
HOJA:	1

CUSTOMER IS SOLELY RESPONSIBLE FOR MOTOR PERFORMANCE AND SUITABILITY IN APPLICATIONS FOR CUSTOMER'S USES

版本	ECO	编制	日期	批准	日期
BF	0027378	H.REN	07-13-2012	B.SHEN	07-13-2012



NAMEPLATE DATA:



THERMALLY PROTECTED

SER. DATE PLT MOD CA2G178N# STOCK NO 53  
 115V 60HZ 2.6A 1550RPM 155W 1/12HP 1PH  
 CONT A.O. ASSEMBLED IN MEXICO

Tipp City, OH



← ROTATION →

(1) AMP TERM #350436-2 FOR #10 SCREW ON GREEN GROUND 18 GA. .03 INS. 105°C PVC ON L.E.

CCWLE BOM CHG [BD]

- 形位公差
- 平面度
- 直线度
- ∠ 倾斜度
- ⊥ 垂直度
- ∥ 平行度
- 圆度
- ⊘ 圆跳动
- ⊙ 面轮廓度
- ⌒ 线轮廓度
- ↗ 圆跳动
- ↖ 圆跳动
- ⊖ 对称度

ASME Y14.5M 1994

除另有注明  
 尺寸公差如下:  
 英寸 X XX XXX XXXX  
 毫米 ±.1 ±.02 ±.005 ±.0005  
 英寸 ±0.5 ±0.13 ±0.013  
 角度 ±.50 度  
 清理毛刺和尖棱  
 英寸 .003-.015 毫米 0.1-0.4  
 内圆角 英寸 .020 毫米 0.5  
 表面粗糙度  
 英制 125 米制 3.2  
 米制尺寸显示在 [ ]

绘图:  
 批准:  
 第三角投影  
 图框格式发布日期 11-11-2011  
 图框格式版本 H  
 机密: 本图纸及相关信息所有权归REGAL-BELOIT CORPORATION  
 未经REGAL-BELOIT CORPORATION书面授权, 不得泄露、  
 复制、传播或作其他用途。--版权所有



名称  
 OUTLINE  
 图幅 C 图号 CA2G178  
 比例 NONE 页号 1