

PRODUCT INFORMATION PACKET

Model No: 5KH39QN5512T

Catalog No: 4701

1/4 HP Fan and Blower HVAC/R Motor, 1 phase, 1800 RPM, 115 V, 48Y Frame, OPEN
Self Cooled Motors



Nameplate Specifications

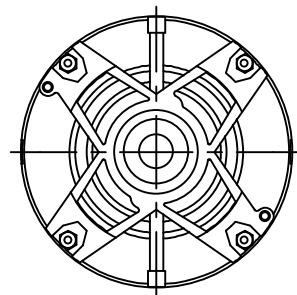
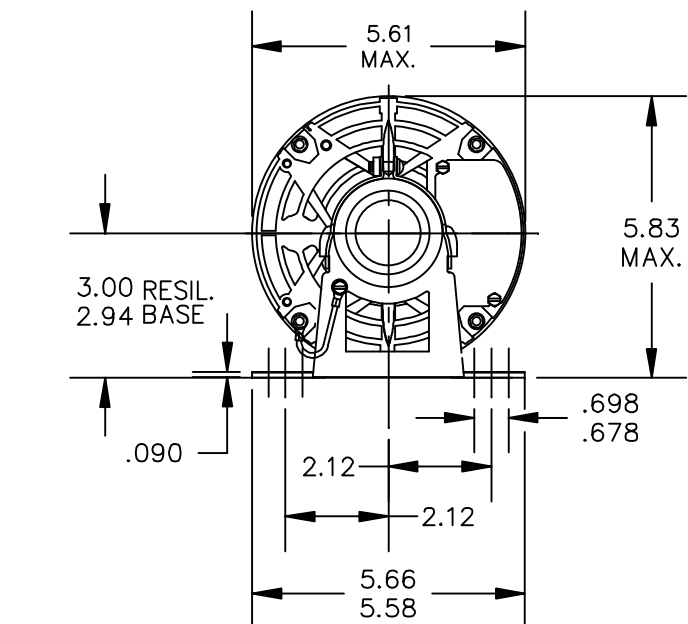
Output HP	0.25 Hp	Output KW	0.19 kW
Frequency	60 Hz	Voltage	115 V
Current	5.1 A	Speed	1725 rpm
Service Factor	1.35	Phase	1
Efficiency	51.9 %	Power Factor	0
Duty	Continuous	Insulation Class	B
KVA Code	P	Frame	48Y
Enclosure	Open Enclosed	Thermal Protection	AUTO
Ambient Temperature	40 °C	Drive End Bearing Size	6203
Opp Drive End Bearing Size	6203	UL	Recognized
CSA	Yes	CE	N

Technical Specifications

Electrical Type	Split Phase	Starting Method	SM
Poles	4	Rotation	Counterclockwise/Clockwise
Mounting	Resilient Base	Motor Orientation	ANY
Drive End Bearing	BALL	Opp Drive End Bearing	Ball
Frame Material	Rolled Steel	Overall Length	8.94 in
Frame Length	5.41 in	Shaft Diameter	0.500 in
Shaft Extension	1.5 in	Thru-bolts Extension	0 in
Outline Drawing	52A111771P3	Connection Drawing	52A105379AA

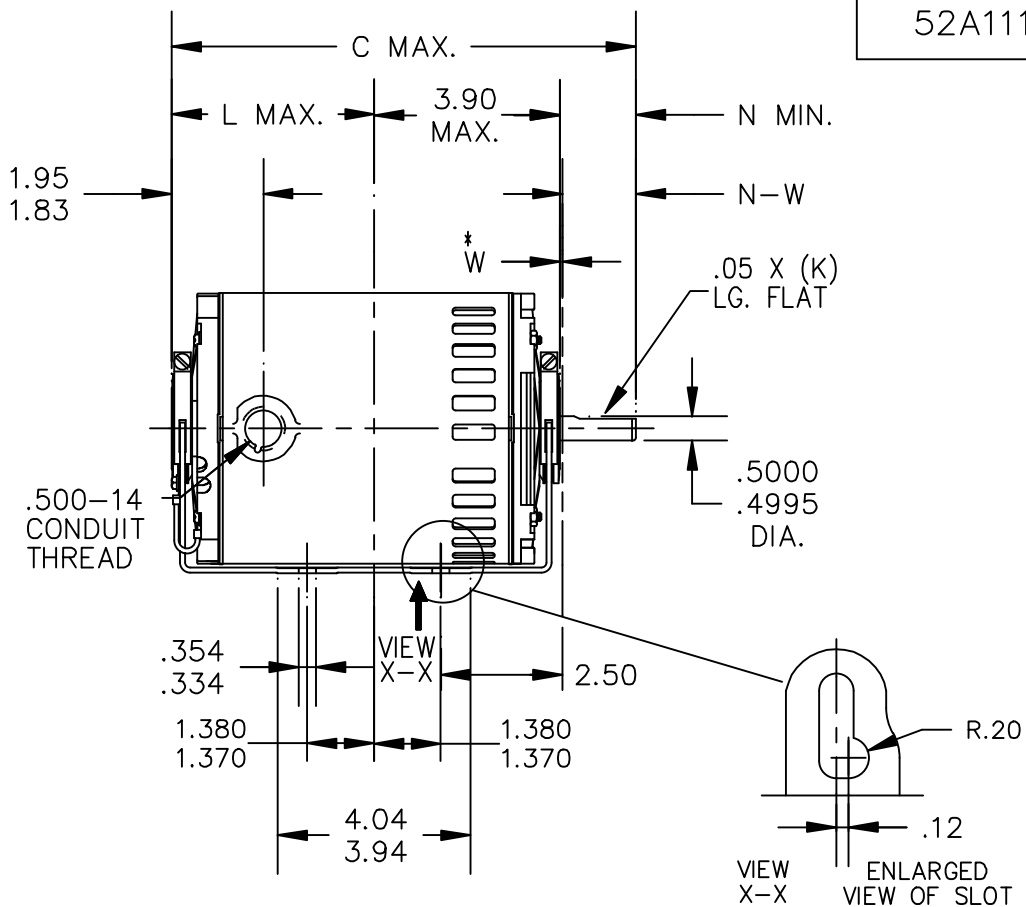
This is an uncontrolled document once printed or downloaded and is subject to change without notice. Date Created:03/11/2020

52A111771



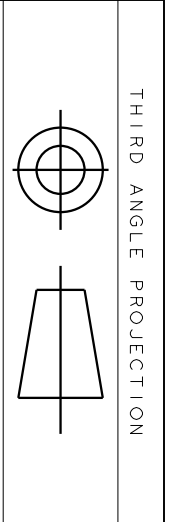
VIEW SHOWING P.E. VENTILATION OPENINGS

W* IS A CLEARANCE DUE TO VARIATION IN PARTS AND ASSEMBLY.



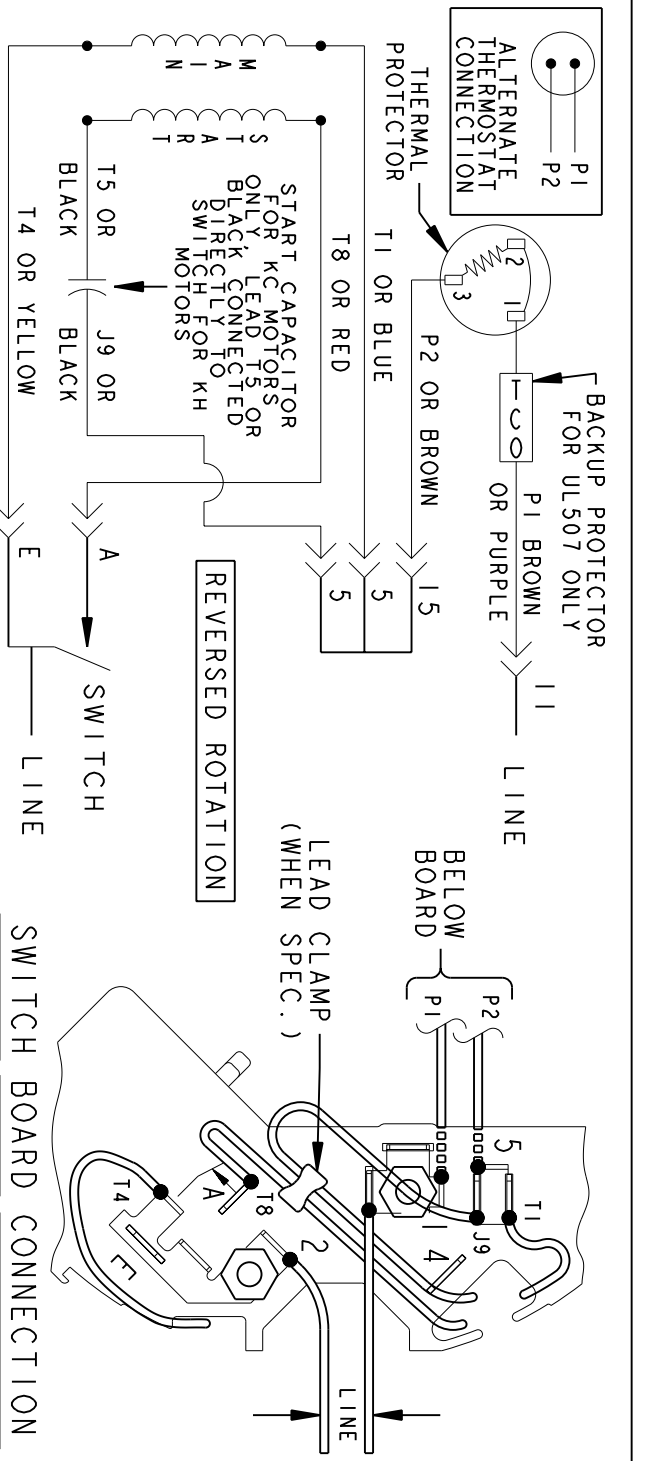
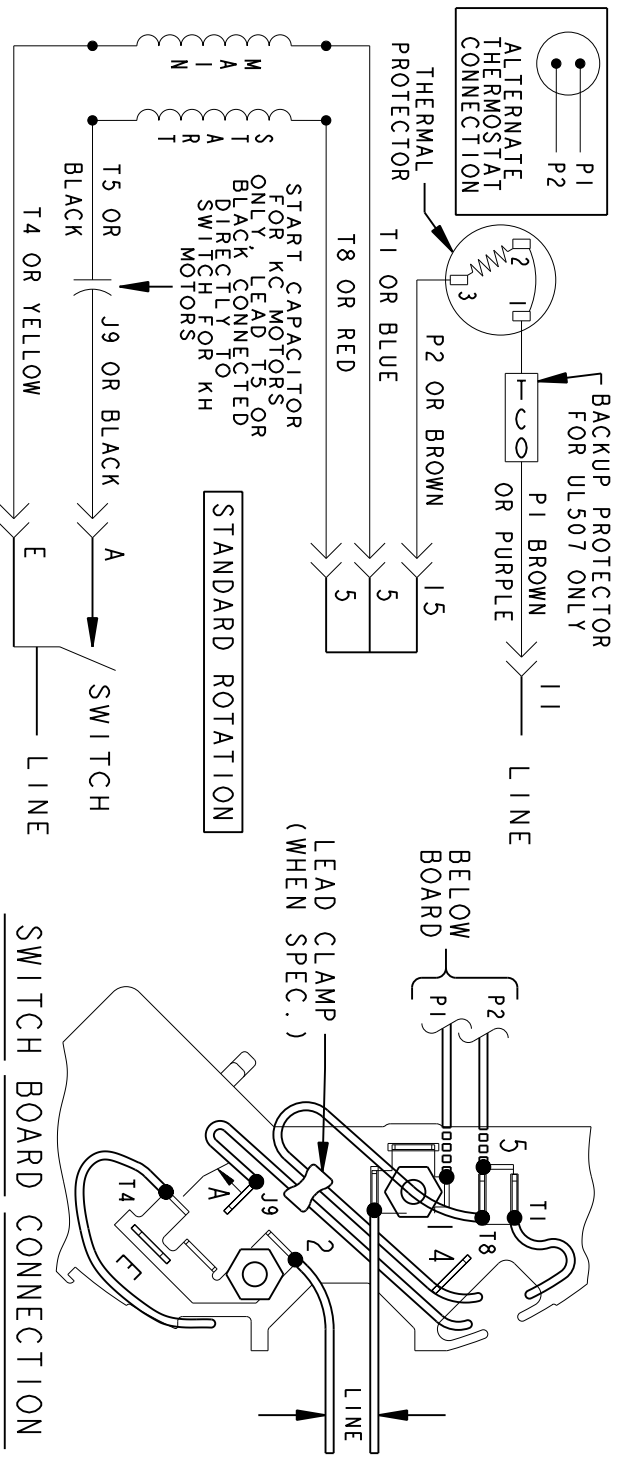
4	K	KH	32	48Y	8.94	1.25	3.59	1.50	1.63/1.41
3	K	KH	33	48Y	9.19	1.16	3.84	1.50	1.63/1.41
2	K	KH	32	48Y	8.94	1.16	3.59	1.50	1.63/1.41
1	K	KH	35	48Y	9.57	1.16	4.22	1.50	1.63/1.41
P	TYPE	RBC SIZE	NEMA FR	C	K	L	N	N-W	

NO.	REVISION	BY & DATE	CHK	TOLERANCES UNLESS SPECIFIED		FINISH	MAT'L.	TITLE	DRAWN DS 02/26/07	
				DEC.	INCHES					CHK
3	CHG GD LD 4:30 TO 7:30 PER IS11-0510 & REDRAWN IN DRAFT SIGHT	UD 9/24/12	PKG	.X	±0.1			REGAL-BELOIT CORPORATION	APPD DS 02/26/07	
2	ADDED P4 PER IS10 - 2231	PN 9/16/10		.XXX	±0.005			REGAL-BELOIT CORPORATION	SCALE 1=1	
1	GROUND LEAD ADDED PER IS07-0531	BM 10/26/07		.XXXX	±0.0005			REGAL-BELOIT CORPORATION	REF	
				ANG	±1.0			REGAL-BELOIT CORPORATION	FMF	
				RFP		CAD FILE	52A111771	REGAL-BELOIT CORPORATION	PREV	
				DIST				REGAL-BELOIT CORPORATION		
THIS DRAWING IN DESIGN AND DETAIL IS OUR PROPERTY AND MUST NOT BE USED EXCEPT IN CONNECTION WITH OUR WORK ALL RIGHTS OF DESIGN AND INVENTION ARE RESERVED THIS IS AN ELECTRONICALLY GENERATED DOCUMENT - DO NOT SCALE THIS PRINT								SIZE	DRAWING NO.	REV.
								A	52A111771	3



REV.	DESCRIPTION	DATE	APPROVED
6	UPDATED FORMAT	12/01/05	MAM

EITHER ROTATION-SINGLE VOLTAGE-TYPE KC OR KH-WITH THERMAL PROTECTOR



NOTE #1 - TO REVERSE ROTATION INTERCHANGE RED (T8) AND BLACK (J9-KC OR T5-KH) LEADS.
 NOTE #2 - WHEN MORE THAN ONE CAPACITOR IS USED CONNECT IN PARALLEL.

SWITCH (C) - 115D958AB REF. DIAG. - 121A851 CONN. LABEL - 52X332048

SIGNATURES	DATE
MODEL M.D.PAPE	06/29/87
DETAIL	
CHECKED	
ENGRG	
MFG	
QUALITY	
ISSUED	M.D.P. 03/08/00
SOLID MODEL: 52A105379AA	

REGAL-BELOIT CORPORATION

REGAL-BELOIT

CONNECTION DIAGRAM

FMF - 30 FR SWITCH REDESIGN

SCALE: 1.000 REF. No.:

52A105379AA

REV 6

SHEET 1 of 1