

PRODUCT INFORMATION PACKET



Model No: 44A
Catalog No: 44A
1/15 HP Ventilation Motor, 1550 RPM, 115 Volts, 4.3" Diameter, OAO
Ventilation Motors



Regal and Century are trademarks of Regal Beloit Corporation or one of its affiliated companies.
©2020 Regal Beloit Corporation, All Rights Reserved. MC017097E





Nameplate Specifications

Output HP	1/15 Hp	Output KW	0.05 kW
Frequency	60 Hz	Voltage	115 V
Current	2.3 A	Speed	1550 rpm
Service Factor	1	Phase	1
Duty	Continuous Air Over	Insulation Class	A
Frame	4.4	Enclosure	Open Air Over
Thermal Protection	Automatic	Ambient Temperature	40 °C
UL	Recognized	CSA	Y
CE	N		

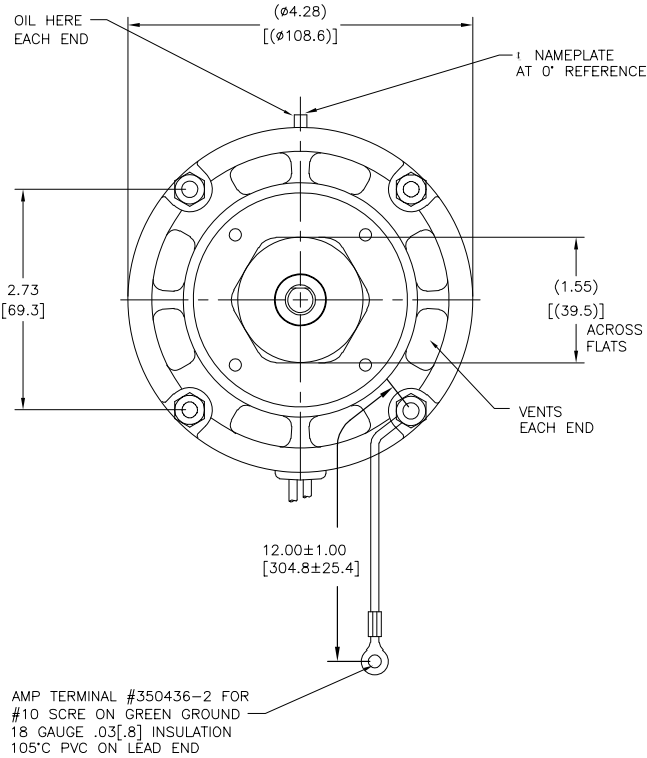
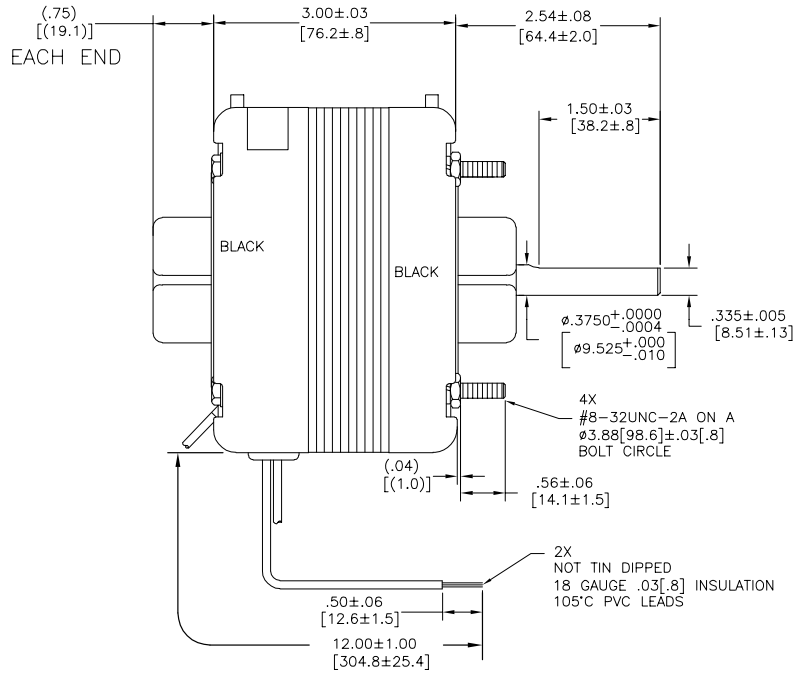
Technical Specifications

Electrical Type	Shaded Pole	Starting Method	Across The Line
Poles	4	Rotation	Clockwise Shaft End
Mounting	Extended Studs	Drive End Bearing	Sleeve
Opp Drive End Bearing	Sleeve	Frame Material	N/A
Shaft Type	Flat	Frame Length	3.00 in
Shaft Diameter	0.375 in	Shaft Extension	2.54 in
Outline Drawing	44A-S01		

This is an uncontrolled document once printed or downloaded and is subject to change without notice. Date Created:06/11/2020

CUSTOMER IS SOLELY RESPONSIBLE FOR MOTOR PERFORMANCE AND SUITABILITY IN APPLICATIONS FOR CUSTOMER'S USES

END PLAY .04[1.0] MAXIMUM



CCWLE-CWSE

NAMEPLATE DATA:



THERMALLY PROTECTED

Tipp City, OH



SER. DATE PLT MOD CA2E136N#
115V 60HZ 2.3A 1550RPM 1/15HP CONT AO 1PH
← ROTATION → STK. NO. 44A ASSEMBLED IN MEXICO

AMP TERMINAL #350436-2 FOR #10 SCRE ON GREEN GROUND 18 GAUGE .03[.8] INSULATION 105°C PVC ON LEAD END

ELECTRICALLY PER SAMPLE S-7983D

DRAWING REVISION: A	REVISION BY: A. BAUGHMAN	DATE: 02-11-2015	TOLERANCES UNLESS OTHERWISE SPECIFIED	DRAWN BY: A. BAUGHMAN
ECO: ECO-0071322	APPROVED BY: A. BAUGHMAN	DATE: 02-11-2015	DEC. INCH DIM. ANGLE XX ±0.1 12:25 3:05 XXX ±0.02 ±0.51 XXXX ±0.005 ±0.127 XXXXX ±0.0005 ±0.0127	DATE: 02-11-2015
ECO DESCRIPTION: NEW			REMOVE BURRS & BREAK SHARP EDGES .003-.015 (.076-.381) CORNER FILLETS .02 (.51) MACHINED SURFACES INCH 1/32 mm SHOWN IN BRACKETS	APPROVED BY: A. BAUGHMAN
<small>COPYRIGHT REGAL BELT AMERICA, INC. ALL RIGHTS RESERVED. REGAL BELT AMERICA, INC. (FORMERLY) AND CERTAIN OTHERS' PROPRIETARY INFORMATION AND CONFIDENTIAL INFORMATION - THIS DOCUMENT IS THE PROPERTY OF REGAL BELT AMERICA, INC. (FORMERLY) AND CERTAIN OTHERS' PROPRIETARY INFORMATION. IF IT IS RETURNED TO ANY PERSON, CORPORATION OR OTHER ENTITY, REGAL BELT AMERICA, INC. (FORMERLY) AND CERTAIN OTHERS' PROPRIETARY INFORMATION AND CONFIDENTIAL INFORMATION WILL BE DELETED. IF IT IS RETURNED TO ANY PERSON, CORPORATION OR OTHER ENTITY, REGAL BELT AMERICA, INC. (FORMERLY) AND CERTAIN OTHERS' PROPRIETARY INFORMATION AND CONFIDENTIAL INFORMATION WILL BE DELETED. IF IT IS RETURNED TO ANY PERSON, CORPORATION OR OTHER ENTITY, REGAL BELT AMERICA, INC. (FORMERLY) AND CERTAIN OTHERS' PROPRIETARY INFORMATION AND CONFIDENTIAL INFORMATION WILL BE DELETED.</small>			DESCRIPTION: MODEL-SFHP-4.3	REFERENCE: -
			MATERIAL: -	PROCESS/FINISH: -
			SIZE DWG NO: 44A	SHEET 1