

PRODUCT INFORMATION PACKET



Model No: 362A

Catalog No: 362A

1/10-1/15-1/25-1/35 HP Fan Coil / Room Air Conditioner Motor, 1075 RPM, 4 Speed, 115 Volts, 42 Frame, OAO
Fan Coil / Room Air Conditioner Motors



Regal and Century are trademarks of Regal Beloit Corporation or one of its affiliated companies.
©2020 Regal Beloit Corporation, All Rights Reserved. MC017097E

The REGAL logo consists of the word 'REGAL' in a bold, white, sans-serif font, set against a dark gray, trapezoidal background that tapers to the right. This logo is positioned on a blue, vertically-oriented decorative bar that has a halftone dot pattern and a white diagonal line running through it.

REGAL



Nameplate Specifications

Output HP	1/10-1/15-1/25-1/35 Hp	Output KW	0.07 kW
Frequency	60 Hz	Voltage	115 V
Current	1.7 A	Speed	1075 rpm
Service Factor	1	Phase	1
Duty	Continuous Air Over	Insulation Class	B
Frame	42Y	Enclosure	Open Air Over
Thermal Protection	Thermally Protected	Ambient Temperature	40 °C
UL	Recognized	CSA	Y
CE	N		

Technical Specifications

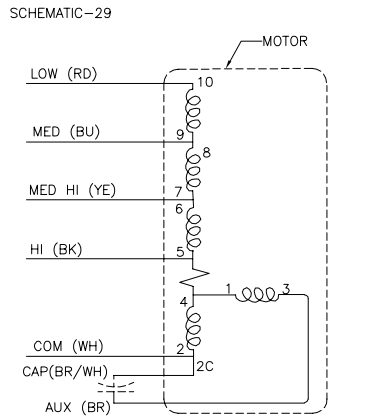
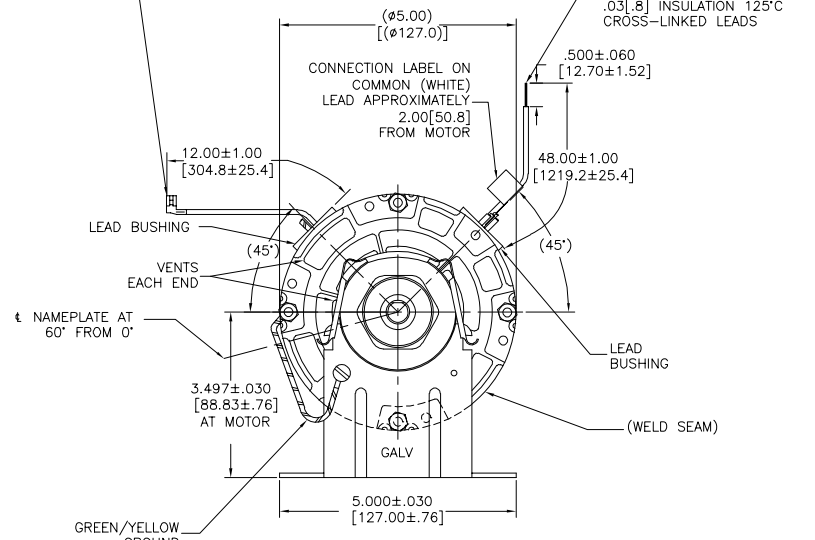
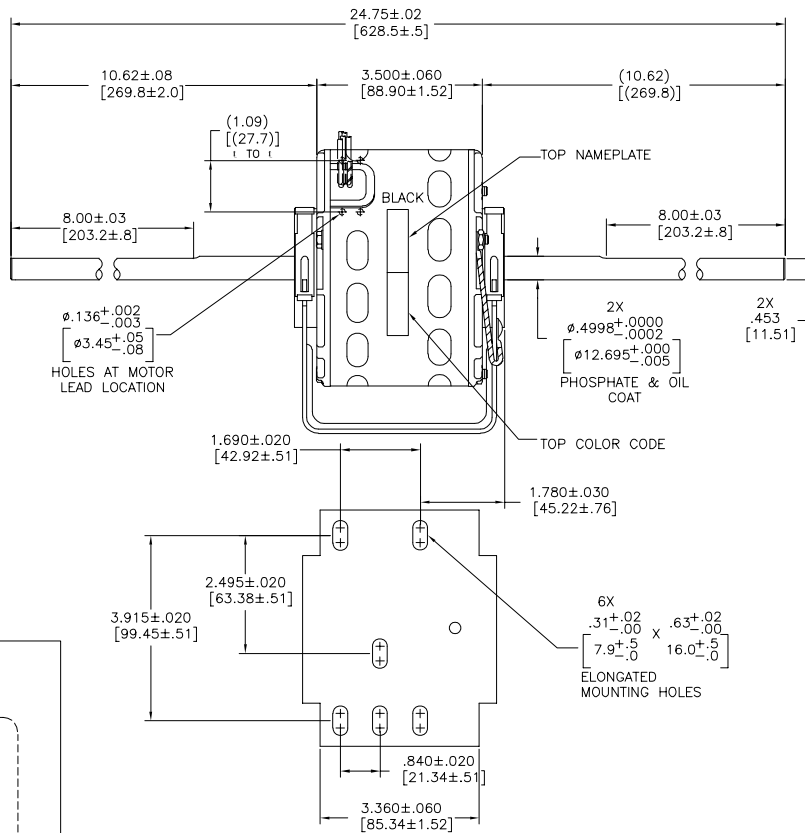
Electrical Type	Permanent Split Capacitor	Starting Method	Across The Line
Poles	6	Rotation	Clockwise Lead End
Mounting	Resilient Base	Motor Orientation	Horizontal
Drive End Bearing	Sleeve	Opp Drive End Bearing	Sleeve
Frame Material	Rolled Steel	Shaft Type	Flat
Overall Length	24.75 in	Frame Length	2.92 in
Shaft Diameter	0.500 in	Shaft Extension	10.6X.5X10.6 in
Outline Drawing	362A-S01		

This is an uncontrolled document once printed or downloaded and is subject to change without notice. Date Created:06/11/2020

CUSTOMER IS SOLELY RESPONSIBLE FOR MOTOR PERFORMANCE AND SUITABILITY IN APPLICATIONS FOR CUSTOMER'S USES.

2X
FEMALE FLAG TERMINAL FOR .032[.81] X .250[6.35]
TAB ON BROWN & BROWN/WHITE CAPACITOR
LEADS 18 GAUGE .03[.8] INSULATION 125°C CROSS-LINKED

5X
NOT TIN DIPPED 18 GAUGE
.03[.8] INSULATION 125°C
CROSS-LINKED LEADS



CONNECTION LABEL 63T7433-265	COLOR CODE NAMEPLATE 63T7452-12
BK HI 1.7A 1/10HP	YE MED HI 1.3A 1/15HP
BU MED .85A 1/25HP	RD LOW .62A 1/35HP
WH COM BR & BR/WH CAP	

ELECTRICALLY PER
SAMPLE S-9088E

- NOTES:
1. ENDPLAY .005[.13] MINIMUM - .040[1.02] MAXIMUM
2. MAXIMUM SHAFT RUNOUT .001[.03] PER 1.00 [25.4].
3. MAXIMUM RUN OUT NOT TO EXCEED .010[.25]

ROT: CWLE
NAMEPLATE DATA:

Century • Tipp City, OH • THERMALLY PROTECTED

SER. DATE & PO# PLT LTR MOD DE3E657N 362A
VOLTS 115 HZ 60 AMPS 1.7
RPM 1075 SP PH1 CAP 5MFD 370VAC
INS CL AMB °C HP 1/10 CONT AO ROTATION →
BRG SLV ASSEMBLED IN MEXICO

DRAWING REVISION NUMBER BY DATE	DESIGNED BY DATE	TO DIMENSIONS UNLESS OTHERWISE SPECIFIED	DRAWN BY DATE
A A. BAUGHMAN 02-11-2015	A A. BAUGHMAN 02-11-2015	SCALE: 1:1 ANGLE: 30.0	A. BAUGHMAN 02-11-2015
ECO-2017315 A. BAUGHMAN 02-11-2015	TEST DISPOSITION	REVISIONS: 1. 02-11-2015 A. BAUGHMAN 45.006 40.127 40.005 40.015 026.381	APPROVED BY: A. BAUGHMAN 02-11-2015
NEW		REMOVE BURRS & BREAK SHARP EDGES	REFERENCE
		CORNER FILLETS .02 L51	
		MACHINED SURFACES .10	
		FINISH: 32 Ra	
		PROJ. SHOWN IN: 362A	
		THIRD ANGLE PROJECTION	
		SIZE: 11.00 x 17.00	
		SHEET NO. 362A	
		SHEET 1	