

PRODUCT INFORMATION PACKET



Model No: 347

Catalog No: 347

1/8-1/12-1/20-1/30 HP Fan Coil / Room Air Conditioner Motor, 1550 RPM, 4 Speed, 115 Volts, 42 Frame, OAO
Fan Coil / Room Air Conditioner Motors



Regal and Century are trademarks of Regal Beloit Corporation or one of its affiliated companies.
©2020 Regal Beloit Corporation, All Rights Reserved. MC017097E

The REGAL logo is a grey rectangular box with the word 'REGAL' in white, bold, uppercase letters. It is positioned on a blue and black halftone patterned background that runs vertically down the right side of the page.

REGAL



Nameplate Specifications

Output HP	1/8, 1/12, 1/20, 1/30 Hp	Output KW	0.10 kW
Frequency	60 Hz	Voltage	115 V
Current	3.3 A	Speed	1550 rpm
Service Factor	1	Phase	1
Duty	Continuous Air Over	Insulation Class	A
Frame	42	Enclosure	Open Air Over
Thermal Protection	Automatic	Ambient Temperature	40 °C
UL	Recognized	CSA	Y
CE	N		

Technical Specifications

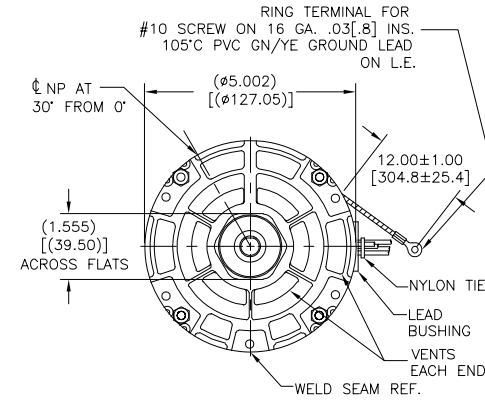
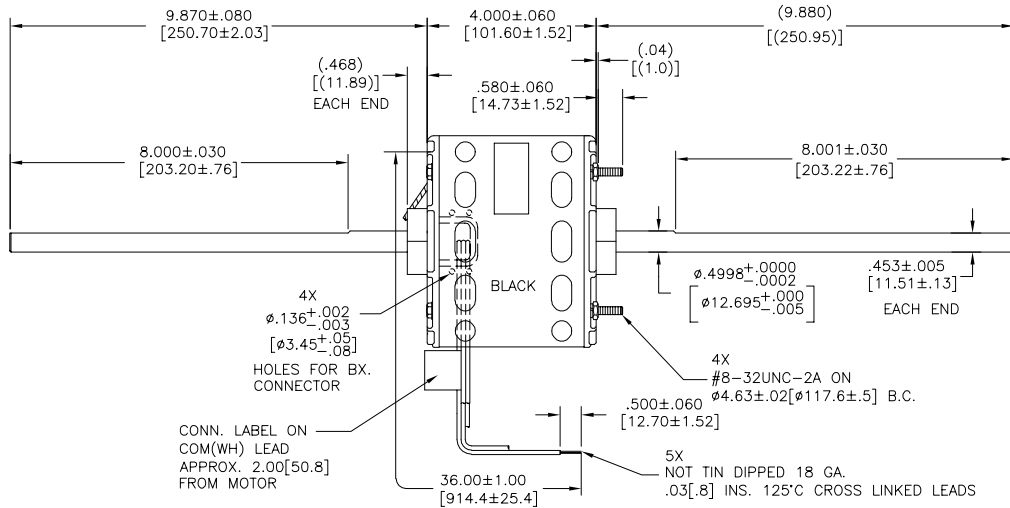
Electrical Type	Shaded Pole	Starting Method	Across The Line
Poles	4	Rotation	Clockwise Lead End
Mounting	Extended Studs	Motor Orientation	Horizontal
Drive End Bearing	Sleeve	Opp Drive End Bearing	Sleeve
Frame Material	Rolled Steel	Shaft Type	Flat
Overall Length	23.75 in	Frame Length	3.42 in
Shaft Diameter	0.500 in	Shaft Extension	9 7/8 in
Outline Drawing	347-S01		

This is an uncontrolled document once printed or downloaded and is subject to change without notice. Date Created:27/05/2020

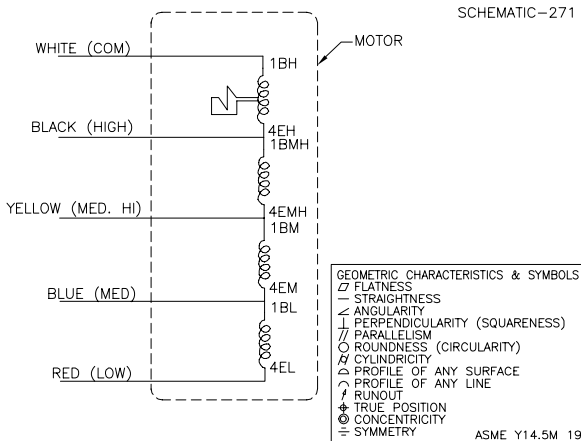
REV	ECO	REV BY	DATE	APPD	DATE
B	0028994	LORTIZ	10-16-2012	M.AVILA	10-16-2012

CUSTOMER IS SOLELY RESPONSIBLE FOR MOTOR PERFORMANCE AND SUITABILITY IN APPLICATIONS FOR CUSTOMER'S USES.

ENDPLAY .005[.13] MIN - .040[1.01] MAX
 MAXIMUM SHAFT RUNOUT .001[.02] PER INCH
 MAXIMUM RUNOUT NOT TO EXCEED .0075[.190]



ELECTRICALLY PER
 SAMPLE S-2784D



ROT.: -CWLE

NAMEPLATE DATA:

Century Tipp City, OH
 THERMALLY PROTECTED

SER. DATE & PO# PLT LTR MOD DA2F067N# STK NO 347
 VOLTS 115 HZ 60 AMPS 3.3
 RPM 1550 SP 4 PH 1CAP
 INS CLA AMB 40°C HP CONT A.O. → ROTATION →
 BRG SLV BK HI 3.3A 1/8HP
 YE MED HI 2.3A 1/12HP
 BU MED 1.7A 1/20HP
 RD LOW 1.2A 1/30HP
 WH COM

ASSEMBLED IN MEXICO

SAFETY WARNING
 63T7433-256

GEOMETRIC CHARACTERISTICS & SYMBOLS
 ▭ FLATNESS
 — STRAIGHTNESS
 ∠ ANGULARITY
 ⊥ PERPENDICULARITY (SQUARENESS)
 ∥ PARALLELISM
 ○ ROUNDNESS (CIRCULARITY)
 ⌀ CYLINDRICITY
 ▭ PROFILE OF ANY SURFACE
 ▭ PROFILE OF ANY LINE
 † RUNOUT
 ⊕ TRUE POSITION
 ⊙ CONCENTRICITY
 = SYMMETRY

ASME Y14.5M 1994

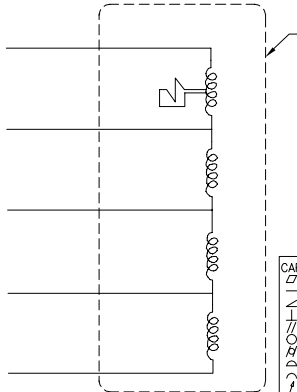
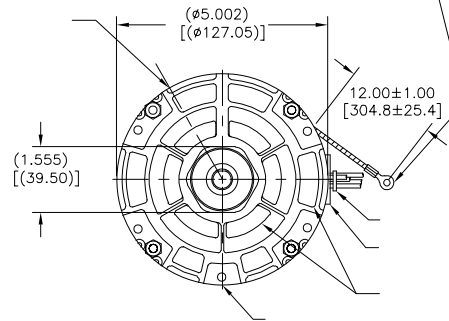
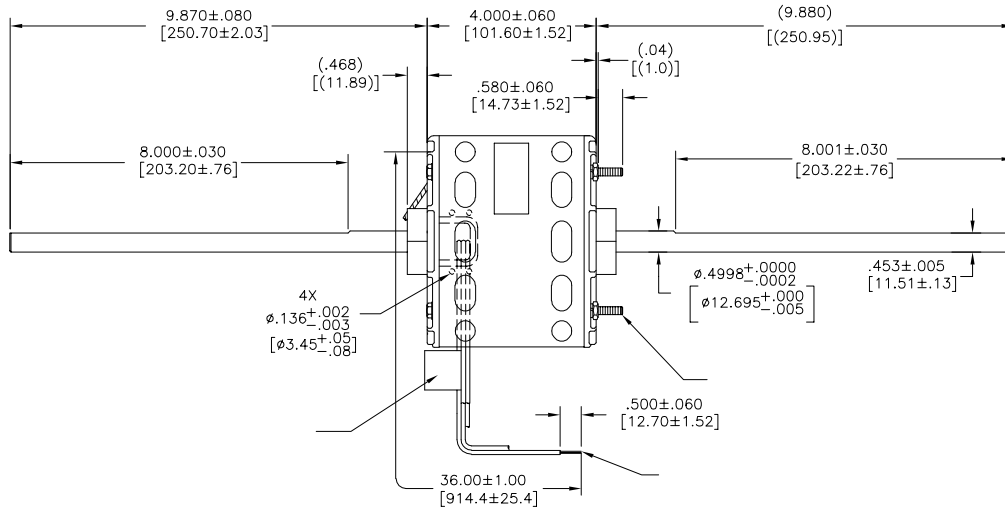
UNLESS OTHERWISE SPECIFIED
 DIM. TOLERANCES ARE AS FOLLOWS:
 INCH X XX XXX XXXX
 ±.1 ±.02 ±.005 ±.0005
 mm ±0.5 ±0.13 ±0.013
 ANG. ±.50 DEG
 REMOVE BURRS & BREAK SHARP EDGES:
 INCH .003-.015 mm 0.1-.04
 CORNER FILLETS TO:
 INCH .020 mm 0.5
 MACHINE SURFACES:
 INCH 125 mm 3.2

METRIC DIMS. SHOWN IN [BRACKETS]

DR BY:	J.ZHU	05-24-2011
APPD:	H.ZHU	05-24-2011
THIRD ANGLE PROJECTION	EDS DATE 11-11-2011 FORMAT REV H	
CONFIDENTIAL: THIS DRAWING AND ITS INFORMATION ARE THE EXCLUSIVE AND CONFIDENTIAL PROPERTY OF REGAL-BELOIT CORPORATION AND ARE NOT TO BE DISCLOSED, DUPLICATED, DISTRIBUTED OR OTHERWISE USED WITHOUT THE WRITTEN CONSENT OF REGAL-BELOIT CORPORATION. -ALL RIGHTS RESERVED.		

REGAL REGAL-BELOIT CORPORATION	
DESCRIPTION MODEL-RFHP-42FR OUTLINE	
SIZE C	DWG NO 347
SCALE NONE	SHEET 1

REVISION:	ECO	REVISADO POR:	FECHA:	APROBADO POR:	FECHA:
B	0028994	I.LORTIZ	10-16-2012	M.AVILA	10-16-2012



Century Tipp City, OH
 THERMALLY PROTECTED

SER. DATE & PO# PLT LTR MOD DA2F067N# STK NO 347
 VOLTS 115 HZ 60 AMPS 3.3
 RPM 1550 SP 4 PH 1 CAP
 INS CLA AMB 40°C HP CONT A.O. → ROTATION →
 BRG SLV BK HI 3.3A 1/8HP
 YE MED HI 2.3A 1/12HP
 BU MED 1.7A 1/20HP
 RD LOW 1.2A 1/30HP
 WH COM

ASSEMBLED IN MEXICO

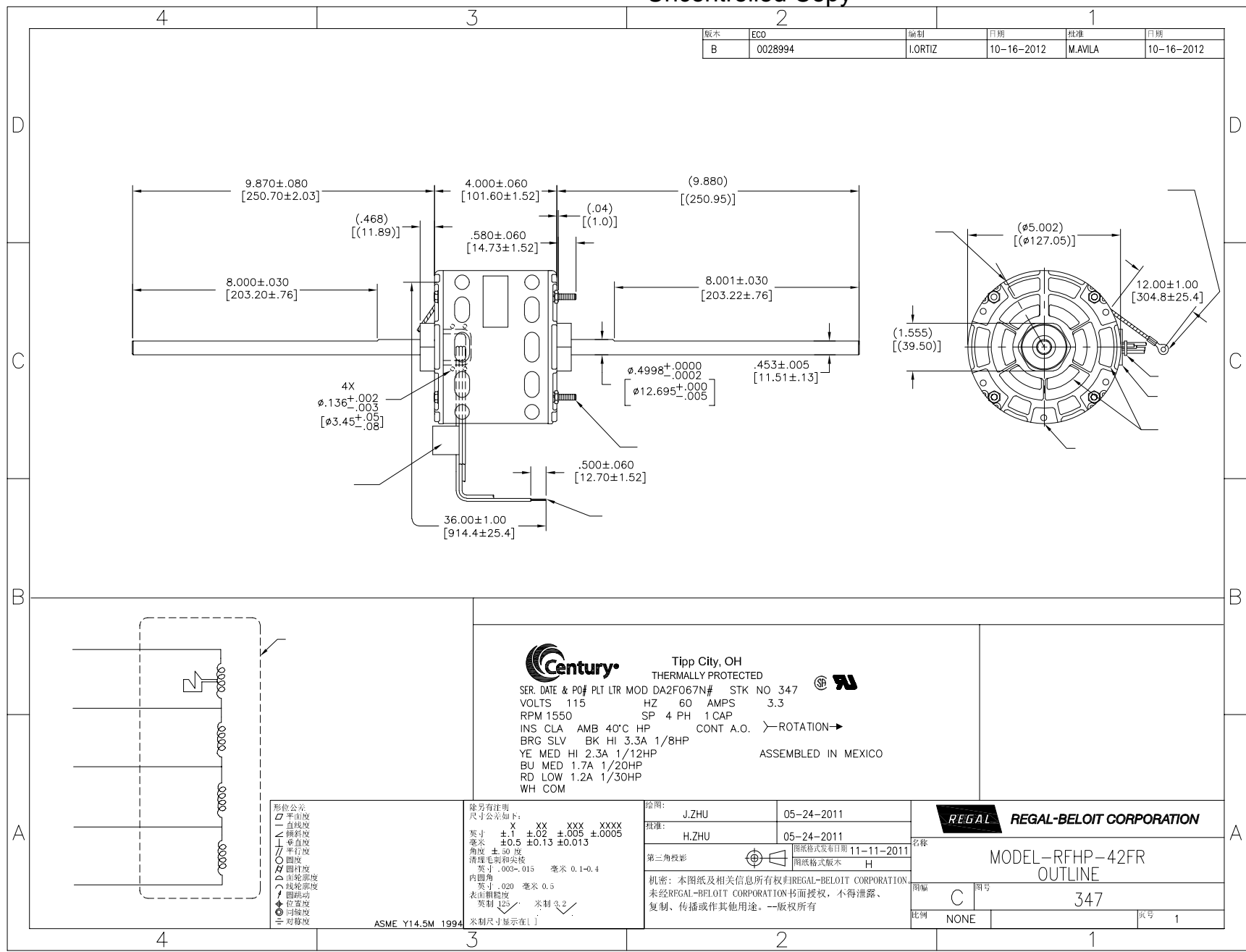
CARACTERÍSTICAS DE GEOMETRIA Y SIMBOLOS
 ▽ PLANICIDAD
 — RECTITUD
 ∠ ANGULARIDAD
 ⊥ PERPENDICULARIDAD (A ESQUADRA)
 // PARALELISMO
 ○ REDONDEZ (CIRCULARIDAD)
 ⌀ CILINDRICIDAD
 A PERFIL DE CUALQUIER SUPERFICIE
 ~ PERFIL DE CUALQUIER LINEA
 † VARIACION
 ⊕ POSICION REAL
 ⊙ CONCENTRICIDAD
 ≡ SIMETRIA

A MENOS QUE SE ESPECIFIQUE DE OTRA MANERA, LAS TOLERANCIAS DE LAS DIMS. SON LAS SIGUIENTES:
 PULG ±.1 ±.02 ±.005 ±.0005
 mm ±0.5 ±0.13 ±0.013
 ANG. ±50 GRADOS
 ELIMINAR REBABAS Y ORILLAS FILOSAS DEL BORDE.
 PULG .003-.015 mm 0.1-.4
 FILETEAR ESQUINA: PULG .020 mm 0.5
 MAQUINAR SUPERFICIES
 PULG 125 mm 3.2

DIBUJADO POR: J.ZHU 05-24-2011
 APROBADO POR: H.ZHU 05-24-2011
 TERCER ANGULO DE PROYECCION
 CONFIDENCIAL: ESTE DIBUJO Y SU INFORMACION SON PROPIEDAD DE USO EXCLUSIVO Y CONFIDENCIAL DE REGAL-BELOIT CORPORATION. Y NO DEBERAN SER REVELADOS, DUPLICADOS, DISTRIBUIDOS O USARSE DE OTRA MANERA SIN EL CONSENTIMIENTO ESCRITO DE REGAL-BELOIT CORPORATION. -TODOS LOS DERECHOS RESERVADOS.

REGAL REGAL-BELOIT CORPORATION

DESCRIPCION: MODEL-RFHP-42FR OUTLINE
 TAMAÑO: C NUMERO DE DIBUJO: 347
 ESCALA: NONE HOJA: 1



形位公差
 □ 平面度
 - 直线度
 < 圆度
 ⊥ 垂直度
 // 平行度
 / 圆柱度
 R 圆顶度
 ⊙ 圆跳动
 ⊕ 位置度
 ⊖ 同轴度
 ⊕ 对称度

ASME Y14.5M 1994

除另有注明
尺寸公差如下:
 英寸 X XX XXX XXXX
 毫米 ±.1 ±.02 ±.005 ±.0005
 毫米 ±0.5 ±0.13 ±0.013
 角度 ±.50 度
 清理毛刺和尖棱
 英寸 .003-.015 毫米 0.1-0.4
 内圆角
 英寸 .020 毫米 0.5
 表面粗糙度
 英寸 125 微米 3.2
 米制尺寸显示在L

除另有注明
尺寸公差如下:
 英寸 X XX XXX XXXX
 毫米 ±.1 ±.02 ±.005 ±.0005
 毫米 ±0.5 ±0.13 ±0.013
 角度 ±.50 度
 清理毛刺和尖棱
 英寸 .003-.015 毫米 0.1-0.4
 内圆角
 英寸 .020 毫米 0.5
 表面粗糙度
 英寸 125 微米 3.2
 米制尺寸显示在L

图号	J.ZHU	05-24-2011
批准	H.ZHU	05-24-2011
图号格式发布日期	11-11-2011	
图号格式版本	H	
名称	MODEL-RFHP-42FR OUTLINE	
图号	C	347
比例	NONE	页号 1