

PRODUCT INFORMATION PACKET



Model No: 3464
Catalog No: 3464
1/2 HP Fan & Blower Motor, 1075 RPM, 4 Speed, 208-230 Volts, 48 Frame, OAO
Direct Drive Motors



Regal and Genteq are trademarks of Regal Beloit Corporation or one of its affiliated companies.
©2020 Regal Beloit Corporation, All Rights Reserved. MC017097E





Nameplate Specifications

Output HP	1/2 Hp	Output KW	0.37 kW
Frequency	60 Hz	Voltage	208-230 V
Current	2.70 A	Speed	1075 rpm
Service Factor	1	Phase	1
Duty	Continuous Air Over	Insulation Class	B
Frame	48	Enclosure	Open Air Over
Thermal Protection	Thermally Protected	Ambient Temperature	40 °C
UL	Recognized	CSA	Y
CE	N		

Technical Specifications

Electrical Type	Permanent Split Capacitor	Poles	6
Rotation	Reversible	Mounting	Resilient Rings
Motor Orientation	Any	Drive End Bearing	Sleeve
Opp Drive End Bearing	Sleeve	Frame Material	Rolled Steel
Shaft Type	Flat	Overall Length	10.64 in
Frame Length	4.07 in	Shaft Diameter	0.500 in
Shaft Extension	5.00 in	Thru-bolts Extension	0.75 in
Connection Drawing	NP24X327260	Outline Drawing	5KCP39KGV805BS

This is an uncontrolled document once printed or downloaded and is subject to change without notice. Date Created:06/11/2020

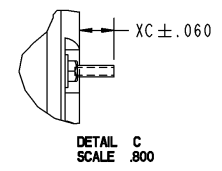
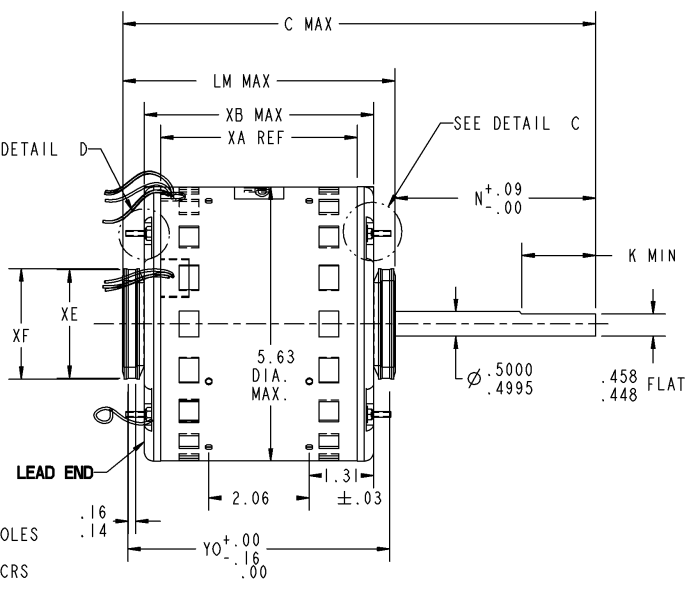
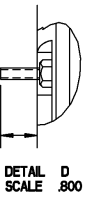
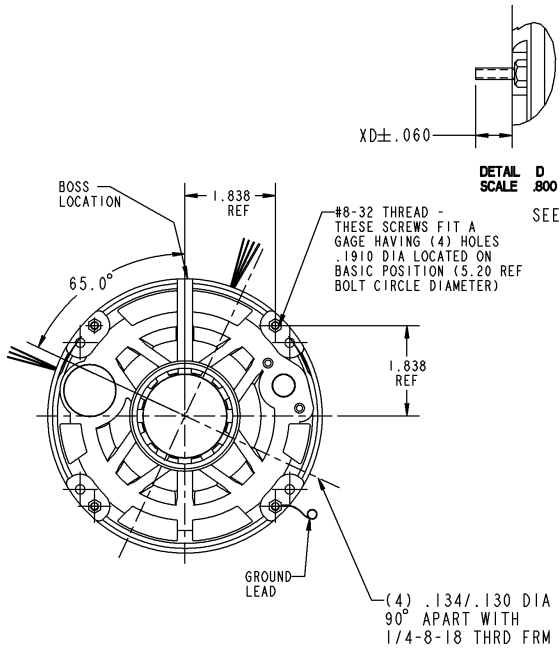
NAME: 100006680 OBJECT: 5KCP39KGV805BS DATE: 19-Jan-09 20:15:11

SIZE DRAWING NO. **5KCP39KGV805BS** REV 2 SHEET 1

VENTILATION SYSTEM	
SHELL VENTS	OPEN
ENDSHIELD (OPP. LEAD END)	OPEN
ENDSHIELD (LEAD END)	OPEN

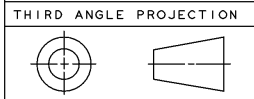
RBC PROPRIETARY AND CONFIDENTIAL INFORMATION
 This document is the property of REGAL BELOIT CORPORATION ("RBC") including its subsidiaries and divisions and contains proprietary information of RBC. This document is loaned on the express condition that neither it nor the information contained therein shall be disclosed to others without the express written consent of RBC, and that the information shall be used by the recipient only as approved expressly by RBC. This document shall be returned to RBC upon its request. This document may be subject to certain restrictions under U.S. export control laws and regulations.

REVISIONS			
REV.	DESCRIPTION	DATE	APPROVED
1	REV LEAD TER CHANGED	01/19/09	AVL
2	SHAFT FLAT CHAN TO SINGLE FLAT	01/19/09	AVL



NOTE:
 1. DIMENSIONS SHOWN ARE NOMINAL UNLESS/OTHERWISE SPECIFIED.

	2.44	2.50	.75	1.25	5.390
	XE	XF	XC	XD	YO
10.64	5.00	4.00	N/A	N/A	5.59
C	N	K	XN	XK	LM
			XA		XB



S/D	CONNECTION	COLOR	EXIT TYPE	EXIT LOC (TURNS)	GAGE	MATERIAL	WALL THK	LENGTH	TERMINATION
1	COMMON LEAD	WHITE	SHELL NOTCH	9:40	18	THERMOPLASTIC	4/64	38.00	.25 FOC
2	REV LEAD	YELLOW	SHELL NOTCH	12:40	18	VULKENE	2/64	4.00	MALE REVERSING PLUG
3	CAPACITOR LEAD	BROWN	SHELL NOTCH	9:40	18	THERMOPLASTIC	4/64	38.00	.25 FOC
4	REV LEAD	ORANGE	SHELL NOTCH	12:40	18	VULKENE	2/64	4.00	MALE REVERSING PLUG
5	CAPACITOR LEAD	BROWN	SHELL NOTCH	9:40	18	THERMOPLASTIC	4/64	38.00	.25 FOC
6	REV LEAD	BROWN	SHELL NOTCH	12:40	18	VULKENE	2/64	6.00	FEMALE REVERSING PLUG
7	HIGH SPEED LEAD	BLACK	SHELL NOTCH	9:40	18	THERMOPLASTIC	4/64	38.00	.25 FOC
8	MED HIGH SPEED LEAD	BLUE	SHELL NOTCH	9:40	18	THERMOPLASTIC	4/64	38.00	.25 FOC
9	MED LOW SPEED LEAD	YELLOW	SHELL NOTCH	9:40	18	THERMOPLASTIC	4/64	38.00	.25 FOC
10	LOW SPEED LEAD	RED	SHELL NOTCH	9:40	18	THERMOPLASTIC	4/64	38.00	.25 FOC
11	REV LEAD	PURPLE	SHELL NOTCH	12:40	18	VULKENE	2/64	4.00	FEMALE REVERSING PLUG
12	GROUND	GRN-YEL	CLAMPSCREW	4:30	18	THERMOPLASTIC	2/64	6.00	#10 EYELET

NAMEPLATE DATA

MODEL	5KCP39KGV805BS
CUST P/N	STOCK NO 3464
HP	1/2
RPM	1075
VOLTS	208-230
HZ	60
# SPEEDS	4
AMPS	2.70
CAP RECD-1	10.00µfd/370Volts
CAP RECD-2	N/R
CONN. DRW*	N/R
ROTATION	CCW/CW (VIEWED FROM LEAD END)

REGAL BELOIT REGAL-BELOIT CORPORATION FORTWAYNE, INDIANA

TITLE **MOTOR OUTLINE**
 (CUSTOMER NAME : REGAL BELOIT)

SIZE DRAWING **5KCP39KGV805BS** REV 2

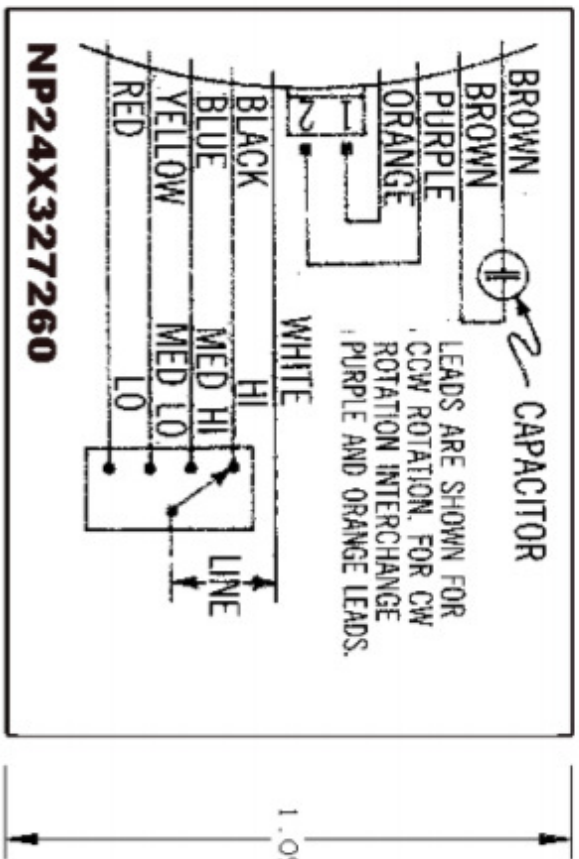
SCALE: NO ISSUED: 1/19/09 SHEET 1 of 1

Uncontrolled Copy

REGAL BELLOTT STATISTICAL
 The document is the property of REGAL-BELLOTT Corporation (REGAL) including its contents and design and contains proprietary information of REGAL. The document is loaned to the recipient under the condition that neither it nor the information contained therein is shall be disclosed in files without the express written consent of REGAL, and that the information shall be used by the recipient only as approved expressly by REGAL. The document shall be returned to REGAL upon its request. The document may be subject to certain restrictions under the U.S. export control law and regulations.

REV	DESCRIPTION
1	Convert to RBC Format JAN 10 2005

1.40
MAX



TYPE FACE: COLORS OR NUMBERS DENOTING LEAD IDENTIFICATION AND N.P. NUMBER ARE TO BE 18 POINT NEWS GOTHIC CONDENSED. OTHER INFORMATION SHOULD BE 18 POINT IF SPACE ALLOWS, OTHERWISE USE 14 POINT.

MATERIALS: 4 MIL WHITE VINYL ADHESIVE STOCK GE SPEC A50FG41-S1
 BLACK INK GE SPEC A50FM49

NOTE: THE BOX LINES AND DIMENSIONS REPRESENT THE SIZE OF THE TAPE TO BE USED. DO NOT INCLUDE THESE IN STAMP FORMAT.

FILE DFC 8



CONNECTION DIAGRAM

NP24X327260

ISSUED **RAW10-77** SCALE NO