

# PRODUCT INFORMATION PACKET



Model No: 3463  
Catalog No: 3463  
1/2 HP Fan & Blower Motor, 1075 RPM, 4 Speed, 115 Volts, 48 Frame, OAO  
Direct Drive Motors



Regal and Genteq are trademarks of Regal Beloit Corporation or one of its affiliated companies.  
©2020 Regal Beloit Corporation, All Rights Reserved. MC017097E





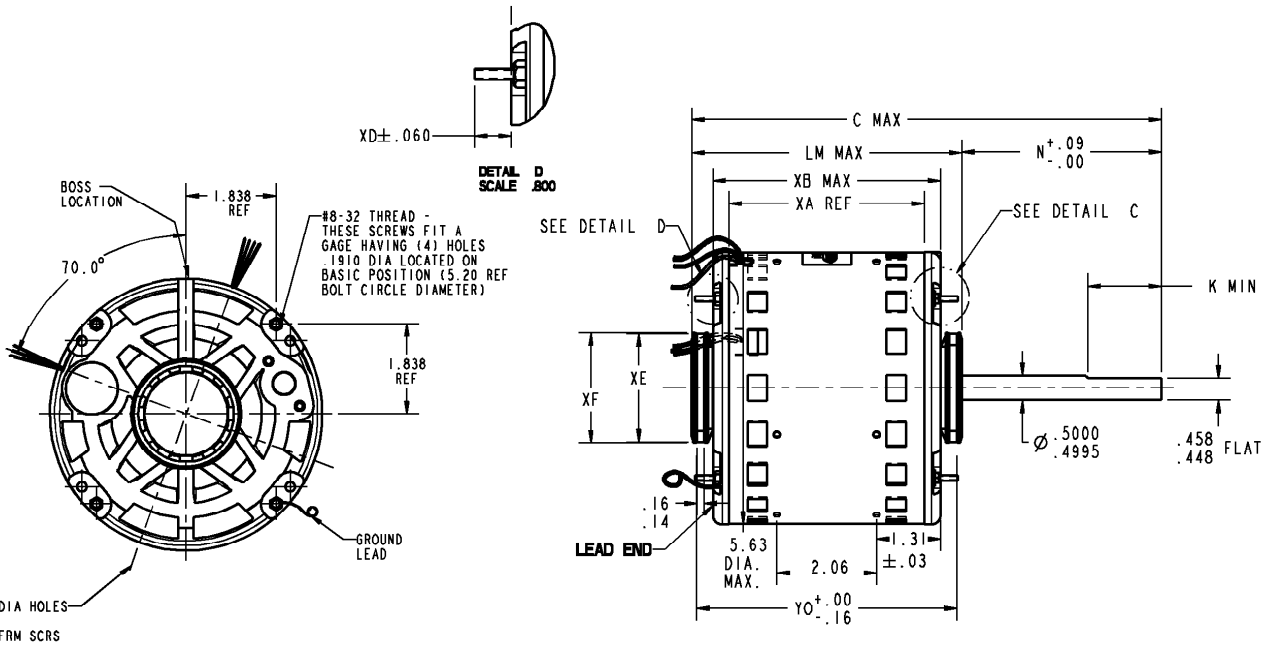
**Nameplate Specifications**

Output HP	1/2 Hp	Output KW	0.37 kW
Frequency	60 Hz	Voltage	115 V
Current	5.70 A	Speed	1075 rpm
Service Factor	1	Phase	1
Duty	Continuous Air Over	Insulation Class	B
Frame	48	Enclosure	Open Air Over
Thermal Protection	Thermally Protected	Ambient Temperature	40 °C
UL	Recognized	CSA	Y
CE	N		

**Technical Specifications**

Electrical Type	Permanent Split Capacitor	Poles	6
Rotation	Reversible	Mounting	Resilient Rings
Motor Orientation	Any	Drive End Bearing	Sleeve
Opp Drive End Bearing	Sleeve	Frame Material	Rolled Steel
Shaft Type	Flat	Overall Length	10.64 in
Frame Length	4.07 in	Shaft Diameter	0.500 in
Shaft Extension	5.00 in	Thru-bolts Extension	0.75 in
Connection Drawing	NONE	Outline Drawing	5KCP39KGV804BS

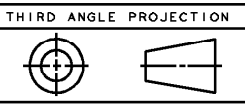
This is an uncontrolled document once printed or downloaded and is subject to change without notice. Date Created:06/11/2020



NOTE:  
1. DIMENSIONS SHOWN ARE NOMINAL UNLESS OTHERWISE SPECIFIED.

	2.44	2.50	.75	1.25	5.390
	XE	XF	XC	XD	YO
10.64	5.00	4.00	N/A	N/A	5.59
C	N	K	XN	XK	LM
			XA		XB

NO	CONNECTION	COLOR	ENT TYPE	ENT LOC (WINDING LEAD)	GAGE	MATERIAL	WALL THK	LENGTH	TERMINATION
1	COMMON LEAD	WHITE	SHELL NOTCH	9:40	18	THERMOPLASTIC	4/64	38.00	.25 FOC
2	REV LEAD	YELLOW	SHELL NOTCH	12:40	18	VULKENE	2/64	4.00	MALE REVERSING PLUG
3	CAPACITOR LEAD	BROWN	SHELL NOTCH	9:40	18	THERMOPLASTIC	4/64	38.00	.25 FOC
4	REV LEAD	ORANGE	SHELL NOTCH	12:40	18	VULKENE	2/64	4.00	MALE REVERSING PLUG
5	CAPACITOR LEAD	BROWN	SHELL NOTCH	9:40	18	THERMOPLASTIC	4/64	38.00	.25 FOC
6	REV LEAD	BROWN	SHELL NOTCH	12:40	18	VULKENE	4/64	4.00	FEMALE REVERSING PLUG
7	HIGH SPEED LEAD	BLACK	SHELL NOTCH	9:40	18	THERMOPLASTIC	4/64	38.00	.25 FOC
8	MED HIGH SPEED LEAD	BLUE	SHELL NOTCH	9:40	18	THERMOPLASTIC	4/64	38.00	.25 FOC
9	MED LOW SPEED LEAD	YELLOW	SHELL NOTCH	9:40	18	THERMOPLASTIC	4/64	38.00	.25 FOC
10	LOW SPEED LEAD	RED	SHELL NOTCH	9:40	18	THERMOPLASTIC	4/64	38.00	.25 FOC
11	REV LEAD	PURPLE	SHELL NOTCH	12:40	18	VULKENE	2/64	4.00	FEMALE REVERSING PLUG
12	GROUND	GRN-YEL	CLAMPSCREW	4:30	18	THERMOPLASTIC	2/64	6.00	#10 EYELET



**REGAL BELLOIT**

REGAL-BELOIT CORPORATION  
FORTWAYNE, INDIANA

TITLE: **MOTOR OUTLINE**  
(CUSTOMER NAME: REGAL BELLOIT)

NAMEPLATE DATA

MODEL	5KCP39KGV804BS
CUST P/N	STOCK NO 3463
HP	1/2
RPM	1075
VOLTS	115
HZ	60
SPEEDS	4
AMPS	5.70
CAP REQ'D-1	15.00µfd/370Volts
CAP REQ'D-2	N/R
CONN DRW	NONE
ROTATION	CCW/CW (VIEWED FROM LEAD END)

SIZE: B DRAWING: **5KCP39KGV804BS** REV: 1

SCALE: NO ISSUED: 01/19/09 SHEET 1 of 1