

# PRODUCT INFORMATION PACKET



Model No: 3331  
Catalog No: 3331  
3/4 HP Condenser Fan Motor, 1075 RPM, 208-230 Volts, 48 Frame, Semi Enclosed  
Condenser Fans Motors



Regal and Genteq are trademarks of Regal Beloit Corporation or one of its affiliated companies.  
©2019 Regal Beloit Corporation, All Rights Reserved. MC017097E





**Nameplate Specifications**

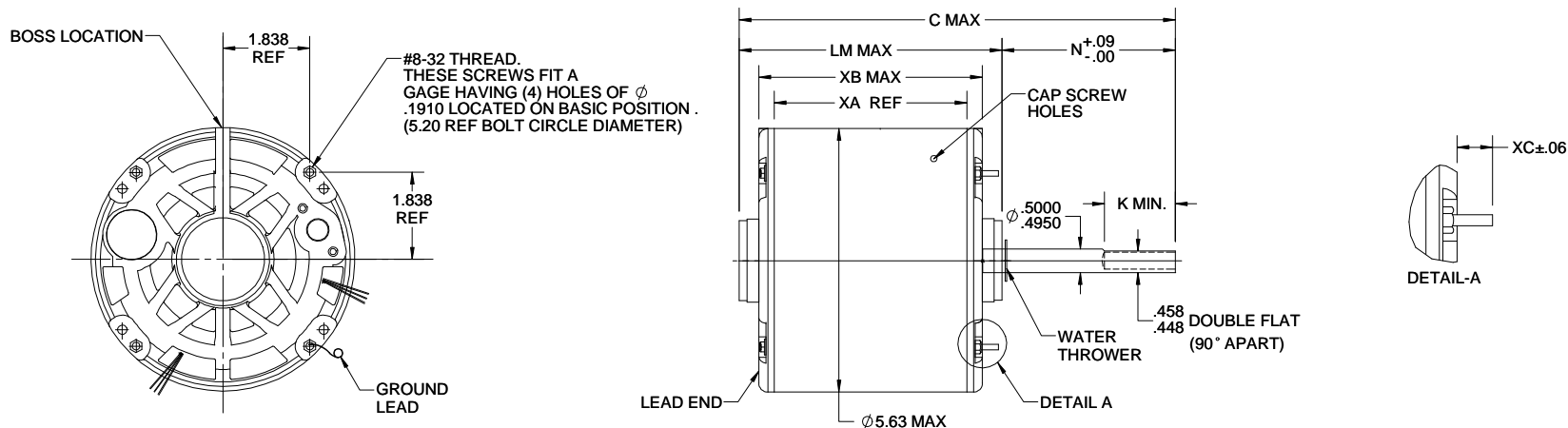
Output HP	3/4 Hp	Frequency	60 Hz
Voltage	208-230 V	Current	5.10 A
Speed	1075 rpm	Service Factor	1
Phase	1	Duty	Continuous Air Over
Insulation Class	B	Frame	48
Enclosure	Open Air Over	Thermal Protection	Thermally Protected
Ambient Temperature	40 °C	UL	Recognized
CSA	Y	CE	N

**Technical Specifications**

Electrical Type	Permanent Split Capacitor	Poles	6
Rotation	Reversible	Mounting	Round
Motor Orientation	Vertical Shaft Up	Drive End Bearing	Sleeve
Opp Drive End Bearing	Sleeve	Frame Material	Rolled Steel
Shaft Type	Double Flat	Overall Length	12.63 in
Frame Length	5.07 in	Shaft Diameter	0.500 in
Shaft Extension	6.00 in	Thru-bolts Extension	1.38 in

This is an uncontrolled document once printed or downloaded and is subject to change without notice. Date Created:25/10/2019

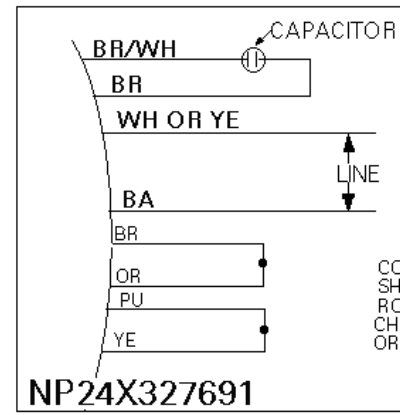
S.NO	CONNECTION	COLOR	EXIT TYPE	EXIT LOC (VIEWING LE)	GAGE	MATERIAL	WALL THK.	LENGTH	TERMINATION	NAMEPLATE DATA	
										MODEL	5KCP39PFM210AS
1	COMMON LEAD	YELLOW	E/S VENT	3:20	18	THERMOPLASTIC	4/64	26.00	.50 BWS	CUST. P/N	STOCK NO 3331
2	CAPACITOR LEAD	BRN/WHT	E/S VENT	3:20	18	THERMOPLASTIC	4/64	26.00	.25 FQC	HP	3/4
3	CAPACITOR LEAD	BROWN	E/S VENT	3:20	18	THERMOPLASTIC	4/64	26.00	.25 FQC	RPM	1075
4	HIGH SPEED LEAD	BLACK	E/S VENT	3:20	18	THERMOPLASTIC	4/64	26.00	.50 BWS	VOLTS	208-230
5	REVERSIBLE LEAD	YELLOW	E/S VENT	6:40	18	EPDM	2/64	5.00	.25 MALE ISQC	HZ	60
6	REVERSIBLE LEAD	ORANGE	E/S VENT	6:40	18	EPDM	2/64	5.00	.25 MALE ISQC	SPEEDS	1
7	REVERSIBLE LEAD	BROWN	E/S VENT	6:40	18	EPDM	2/64	5.00	.25 FISQC LO INS FOR	AMPS	5.10
8	REVERSIBLE LEAD	PURPLE	E/S VENT	6:40	18	EPDM	2/64	5.00	.25 FISQC LO INS FOR	CAP. REQ'D-D1	10.0 µfd/370 Volts
9	GROUND LEAD	GRN_YEL	CLAMP SCREW	4:30	18	THERMOPLASTIC	2/64	12.00	#10 EYELET	CAP. REQ'D-D2	N/R
										CONN.DRW#	NP24X327691
										ROTATION	CCW/CW (VIEWED FROM LE)



- NOTE:
- 1) DIMENSIONS SHOWN ARE NOMINAL UNLESS OTHERWISE SPECIFIED.
  - 2) NAME PLATE LABEL LOCATION : 360° - CENTER - READ FROM LE.

				1.38	N/R
				XC	XD
12.63	6.00	5.50	6.56	5.07	5.73
C	N	K	LM	XA	XB

DRAWING REVISION A		REVISION BY KEP	DATE 10/31/2018	TOLERANCES UNLESS OTHERWISE SPECIFIED:		DRAWN BY KEP	Regal Beloit America, Inc.
ECO ECO-0154353		APPROVED BY KEP	DATE 10/31/2018	DEC. INCH mm ANGLE	±7.30°	DATE 10/31/2018	
ECO DESCRIPTION REDRAWN IN SW AND RELEASED TO IDS				REMOVE BURRS & BREAK SHARP EDGES: .003/.015 [.076/.381] CORNER FILLETS: .02 [.51] MACHINED SURFACES: 200 INCH mm 5.1		APPROVED BY KEP	<b>OUTLINE</b> (CUST.NAME:DEF PUR)
PROPRIETARY AND CONFIDENTIAL INFORMATION - THIS DOCUMENT IS THE PROPERTY OF REGAL BELOIT AMERICA, INC. ("OWNER") AND CONTAINS OWNER'S PROPRIETARY INFORMATION. ANY PERSON, CORPORATION OR OTHER FIRM RECEIVING IT IS DEEMED, BY RECEIVING IT, TO AGREE THAT IT, AND/OR ANY PART OF IT, SHALL NOT BE DISCLOSED TO ANY PERSON, CORPORATION OR OTHER ENTITY, DUPLICATED, AND/OR USED, EXCEPT AS EXPRESSLY APPROVED IN WRITING IN ADVANCE BY OWNER. THIS DOCUMENT SHALL BE RETURNED TO OWNER UPON REQUEST. IT MAY BE SUBJECT TO CERTAIN RESTRICTIONS UNDER APPLICABLE EXPORT CONTROL LAWS AND REGULATIONS.				.X ±0.1 [±2.5] .XX ±0.03 [±0.76] .XXX ±0.005 [±0.127] .XXXX ±0.0005 [±0.0127]		DATE 10/31/2018	
VENTILATION SYSTEM		THIRD ANGLE PROJECTION		MATERIAL		DRAWING NUMBER	PROCESS/FINISH
SHELL VENTS	CLOSED	B		5KCP39PFM210AS		SHEET 1 OF 1	
ENDSHIELD (OPP.LEAD END)	CLOSED						
ENDSHIELD (LEAD END)	OPEN						



FILE:	DPC #
-------	-------