

PRODUCT INFORMATION PACKET



Model No: 3330
Catalog No: 3330
1/2 HP Condenser Fan Motor, 1075 RPM, 208-230 Volts, 48 Frame, Semi Enclosed
Condenser Fans Motors



Regal and Genteq are trademarks of Regal Beloit Corporation or one of its affiliated companies.
©2020 Regal Beloit Corporation, All Rights Reserved. MC017097E





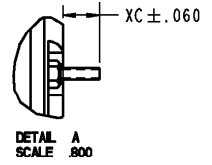
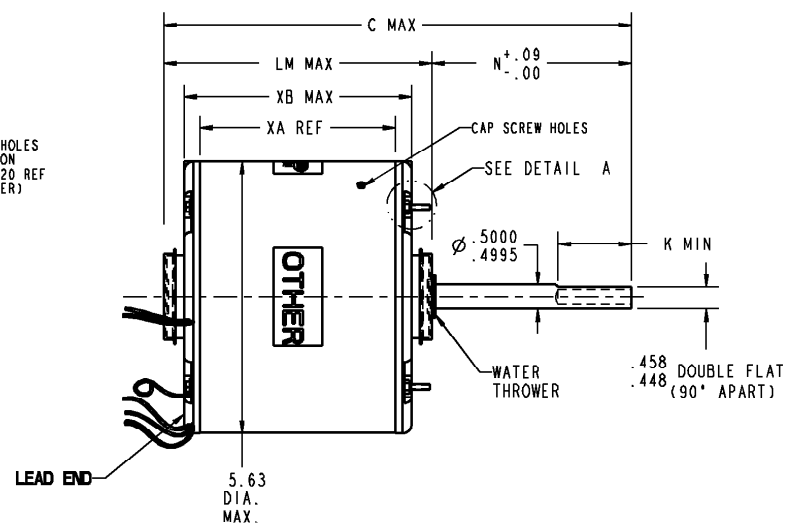
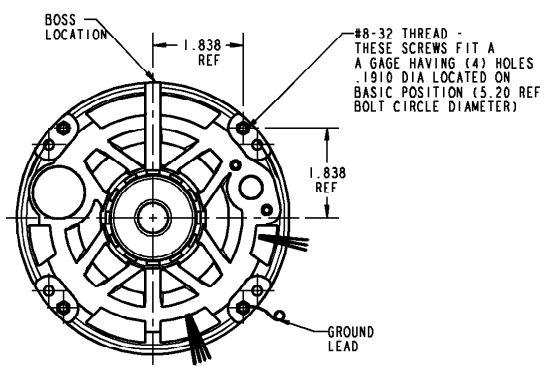
Nameplate Specifications

Output HP	1/2 Hp	Output KW	0.37 kW
Frequency	60 Hz	Voltage	208-230 V
Current	3.60 A	Speed	1075 rpm
Service Factor	1	Phase	1
Duty	Continuous Air Over	Insulation Class	B
Frame	48	Enclosure	Open Air Over
Thermal Protection	Thermally Protected	Ambient Temperature	60 °C
UL	Recognized	CSA	Y
CE	N		

Technical Specifications

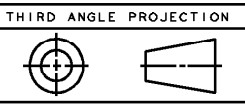
Electrical Type	Permanent Split Capacitor	Poles	6
Rotation	Reversible	Mounting	Round
Motor Orientation	Vertical Shaft Up	Drive End Bearing	Sleeve
Opp Drive End Bearing	Sleeve	Frame Material	Rolled Steel
Shaft Type	Double Flat	Overall Length	11.88 in
Frame Length	4.32 in	Shaft Diameter	0.500 in
Shaft Extension	6.00 in	Thru-bolts Extension	1.50 in
Connection Drawing	NP24X327691	Outline Drawing	5KCP39MGK209AS

This is an uncontrolled document once printed or downloaded and is subject to change without notice. Date Created:06/11/2020



NOTE:
1. DIMENSIONS SHOWN ARE NOMINAL UNLESS OTHERWISE SPECIFIED.

								1.50	N/A
								XC	XD
	11.88	6.00	5.50	N/A	N/A	5.81	4.32	4.98	
	C	N	K	XN	XK	LM	XA	XB	



GRD	CONNECTION	COLOR	EXIT TYPE	EXIT LOC (IN/OUT)	DATE	MATERIAL	BALL THK	LENGTH	TERMINATION
1	COMMON LEAD	YELLOW	E/S VENT	3:20	18	THERMOPLASTIC	4/64	26.00	.50 BWS
2	REV LEAD	YELLOW	E/S VENT	5:20	18	THERMOPLASTIC	4/64	4.00	.25 STRT OC/INS
3	CAPACITOR LEAD	BRN/WHY	E/S VENT	3:20	18	THERMOPLASTIC	4/64	28.00	.25 FLAG OC
4	REV LEAD	ORANGE	E/S VENT	5:20	18	THERMOPLASTIC	4/64	4.00	.25 STRT OC/INS
5	CAPACITOR LEAD	BROWN	E/S VENT	3:20	18	THERMOPLASTIC	4/64	26.00	.25 FLAG OC
6	REV LEAD	BROWN	E/S VENT	5:20	18	THERMOPLASTIC	4/64	4.00	.25 STRT OC/INS
7	HIGH SPEED LEAD	BLACK	E/S VENT	3:20	18	THERMOPLASTIC	4/64	26.00	.50 BWS
8	REV LEAD	PURPLE	E/S VENT	5:20	18	THERMOPLASTIC	4/64	4.00	.25 STRT OC/INS
9	GROUND	GRN-YEL	CLAMPSCREW	4:30	18	THERMOPLASTIC	2/64	12.00	#10 EYELET

NAMEPLATE DATA	
MODEL	5KCP39MGK209AS
CUST P/N	STOCK NO 3330
HP	1/2
RPM	1075
VOLTS	208-230
HZ	60
* SPEEDS	1
AMPS	3.60
CAP REVD-1	10.00µfd/370Volts
CAP REVD-2	N/R
CONN DRW	NP24X327691
ROTATION	CCW/CW (VIEWED FROM LEAD END)

REGAL-BELOIT CORPORATION
FORTWAYNE, INDIANA

TITLE **MOTOR OUTLINE**
(CUSTOMER NAME : DEF PUR)

SIZE DRAWING **B** DRAWING **5KCP39MGK209AS** REV **1**

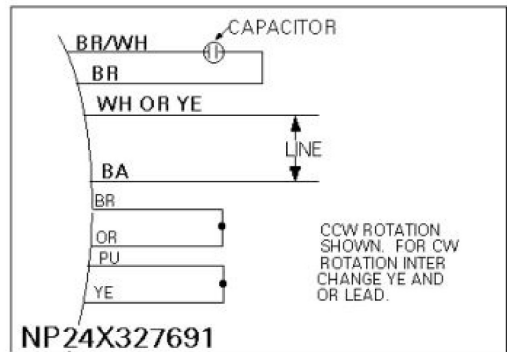
SCALE: NO ISSUED: 12/05/11 SHEET 1 of 1

CONFIDENTIAL AND PROPRIETARY

This document is the property of General Electric Company and contains proprietary and confidential information of the Motor Business Group (MBG). The document is signed in the express conditions that neither it nor the information contained herein shall be disclosed to others without the express consent of MBG and that the information shall be used by the recipient only, as approved expressly by MBG. Also, the document shall be returned to MBG upon its request.

REVISIONS	
REV	DESCRIPTION
1	CAS 9/29/00 ELEC FORMAT

Uncontrolled Copy



NP24X327691

GENERAL ELECTRIC
 MOTOR BUSINESS GROUP FORT WAYNE, INDIANA

FILE:	DPC #	ISSUED	SCALE
		NP 24X327691 CAS 4/29/94	4/10