

# PRODUCT INFORMATION PACKET



Model No: 322  
Catalog No: 322  
1/25 HP Condenser Fan Motor, 1550 RPM, 115 Volts, 4.3",OAO  
Condenser Fans Motors



Regal and Century are trademarks of Regal Beloit Corporation or one of its affiliated companies.  
©2020 Regal Beloit Corporation, All Rights Reserved. MC017097E





**Nameplate Specifications**

Output HP	1/25 Hp	Output KW	0.03 kW
Frequency	60 Hz	Voltage	115 V
Current	1.4 A	Speed	1550 rpm
Service Factor	1	Phase	1
Duty	Continuous Air Over	Insulation Class	B
Frame	4.4	Enclosure	Open Enclosed
Thermal Protection	Automatic	Ambient Temperature	40 °C
UL	Recognized	CSA	Y
CE	N		

**Technical Specifications**

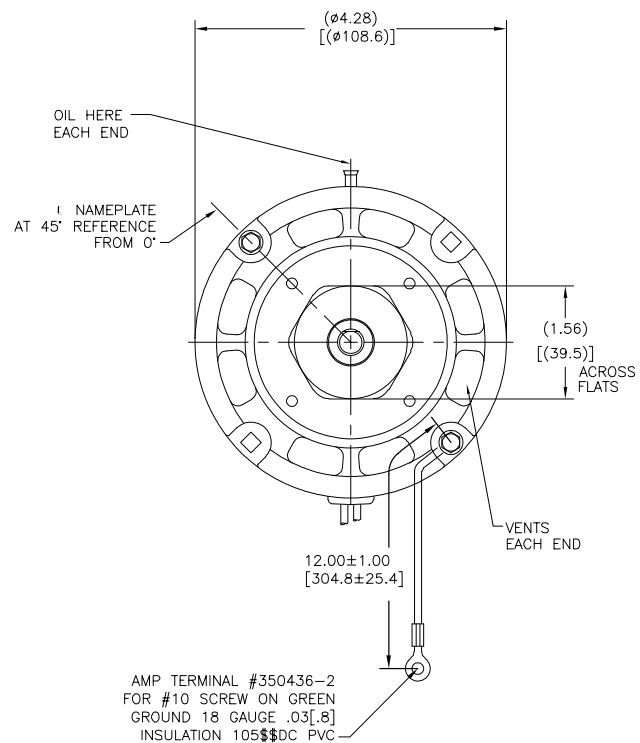
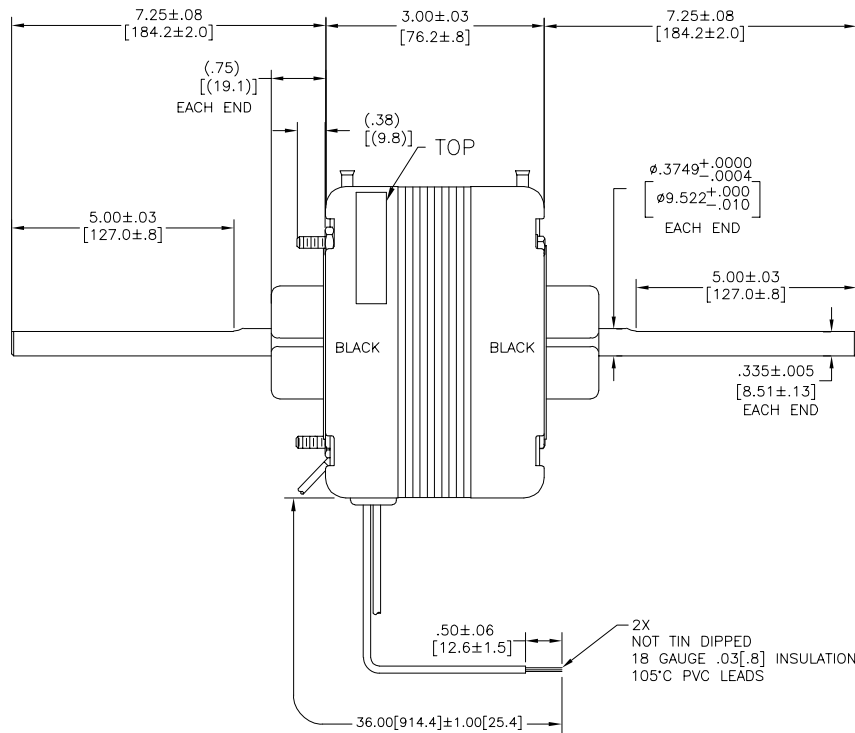
Electrical Type	Shaded Pole	Starting Method	Across The Line
Poles	4	Rotation	Counterclockwise Lead End
Mounting	Resilient Base	Motor Orientation	Horizontal
Drive End Bearing	Sleeve	Opp Drive End Bearing	Sleeve
Frame Material	Rolled Steel	Shaft Type	Flat
Overall Length	17.50 in	Shaft Diameter	0.375 in
Shaft Extension	7 1/4 X 3/8 X 7 1/4 in		
Outline Drawing	CA2E130-S01		

This is an uncontrolled document once printed or downloaded and is subject to change without notice. Date Created:27/05/2020

CUSTOMER IS SOLELY RESPONSIBLE FOR MOTOR PERFORMANCE AND SUITABILITY IN APPLICATIONS FOR CUSTOMER'S USES.

REV	ECO	REV BY	DATE	APPD	DATE
BC	0027378	H.REN	07-13-2012	B.SHEN	07-13-2012

END PLAY .04[1.0] MAXIMUM



CCWLE



THERMALLY PROTECTED  
MOD CA2E130N#

Tipp City, OH



SER. DATE PLT  
115V 60HZ 1550RPM 1.4A 1/25HP CONT A.O. 1PH.  
← ROTATION → STK NO 322 ASSEMBLED IN MEXICO

ELECTRICALLY PER  
SAMPLE S-1923B

GEOMETRIC CHARACTERISTICS & SYMBOLS	
□	FLATNESS
—	STRAIGHTNESS
∠	ANGULARITY
⊥	PERPENDICULARITY (SQUARENESS)
∥	PARALLELISM
○	ROUNDNESS (CIRCULARITY)
⊘	CYLINDRICITY
⌒	PROFILE OF ANY SURFACE
⌒	PROFILE OF ANY LINE
↑	RUNOUT
⊕	TRUE POSITION
⊙	CONCENTRICITY
⊖	SYMMETRY

UNLESS OTHERWISE SPECIFIED DIM. TOLERANCES ARE AS FOLLOWS:	
INCH	±.1 ±.02 ±.005 ±.0005
mm	±0.5 ±0.13 ±0.013
ANG. ±.50 DEG	
REMOVE BURRS & BREAK SHARP EDGES:	
INCH	.003-0.015
mm	0.1-0.4
CORNER FILLETS TO:	
INCH	.020
mm	0.5
MACHINE SURFACES:	
INCH	125
mm	3.2
METRIC DIMS. SHOWN IN [BRACKETS]	

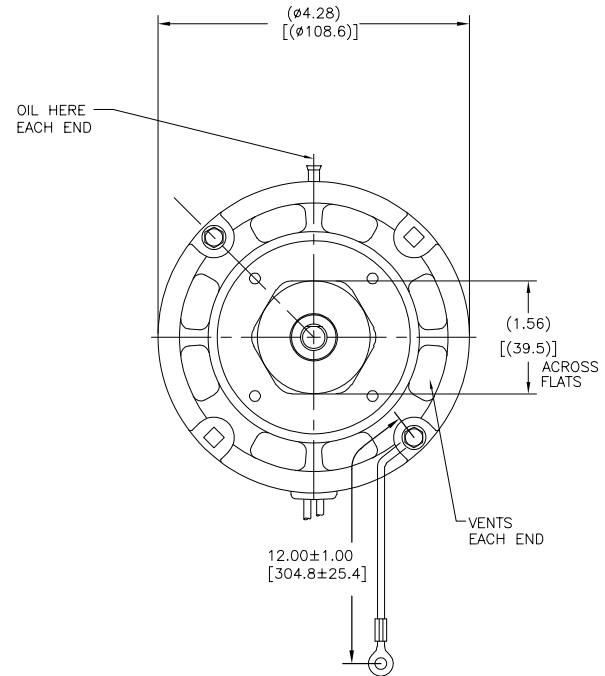
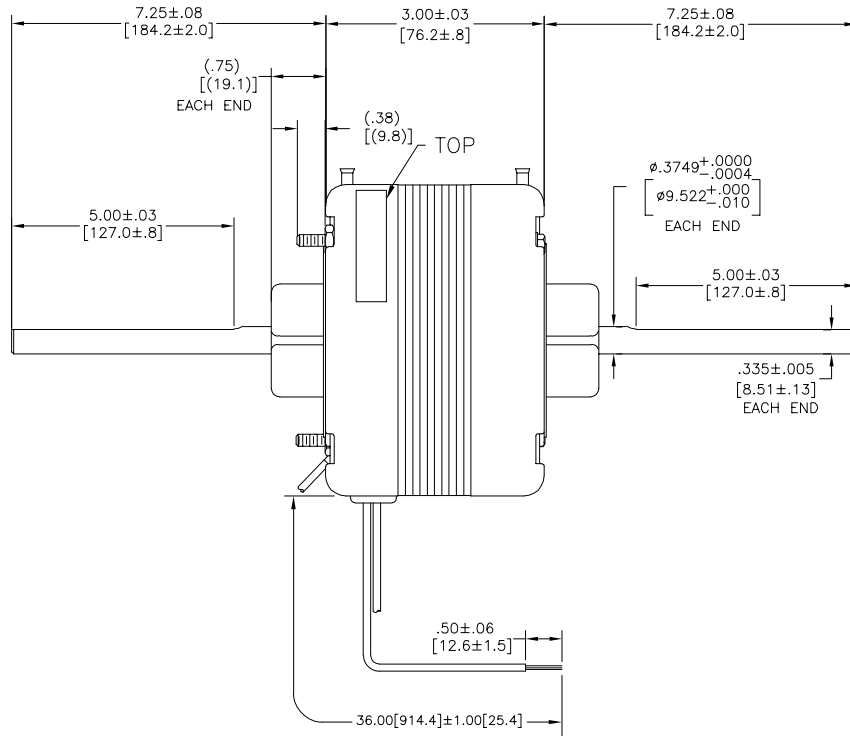
DR BY:	
APPD:	
THIRD ANGLE PROJECTION	EDS DATE 11-11-2011 FORMAT REV H
CONFIDENTIAL: THIS DRAWING AND ITS INFORMATION ARE THE EXCLUSIVE AND CONFIDENTIAL PROPERTY OF REGAL-BELOIT CORPORATION AND ARE NOT TO BE DISCLOSED, DUPLICATED, DISTRIBUTED OR OTHERWISE USED WITHOUT THE WRITTEN CONSENT OF REGAL-BELOIT CORPORATION. -ALL RIGHTS RESERVED.	

<b>REGAL-BELOIT CORPORATION</b>	
DESCRIPTION OUTLINE	
SIZE C	DWG NO CA2E130
SCALE NONE	SHEET 1

CUSTOMER IS SOLELY RESPONSIBLE FOR MOTOR PERFORMANCE AND SUITABILITY IN APPLICATIONS FOR CUSTOMER'S USES.

REVISION: EGO	REVISADO POR: H.REN	FECHA: 07-13-2012	APROBADO POR: B.SHEN	FECHA: 07-13-2012
BC	0027378			

END PLAY .04[1.0] MAXIMUM



CCWLE



THERMALLY PROTECTED  
MOD CA2E130N#

Tipp City, OH



SER. DATE PLT  
115V 60HZ 1550RPM 1.4A 1/25HP CONT A.O. 1PH.  
← ROTATION → STK NO 322 ASSEMBLED IN MEXICO

ELECTRICALLY PER  
SAMPLE S-1923B

CARACTERÍSTICAS DE GEOMETRIA Y SIMBOLOS ▽ PLANICIDAD — RECTITUD ∠ ANGULARIDAD ⊥ PERPENDICULARIDAD (A ESQUADRA) // PARALELISMO ○ REDONDEZ (CIRCULARIDAD) ⌀ CILINDRICIDAD ⊖ PERFIL DE CUALQUIER SUPERFICIE ⊕ PERFIL DE CUALQUIER LINEA † VARIACION ⊕ POSICION REAL ⊙ CONCENRICIDAD ≡ SIMETRIA	A MENOS QUE SE ESPECIFIQUE DE OTRA MANERA, LAS TOLERANCIAS DE LAS DIMS: SON LAS SIGUIENTES: PULG ±.1 ±.02 ±.005 ±.0005 mm ±0.5 ±0.13 ±0.013 ANG ±.50 GRADOS ELIMINAR REBABAS Y ORILLAS FILOSAS DEL BORDE. PULG .003-.015 mm 0.1-0.4 FILETEAR ESQUINA: PULG .020 mm 0.5 MAQUINAR SUPERFICIES PULG .125 mm .32
--	--

DIBUJADO POR: APROBADO POR: TERCER ANGULO DE PROYECCION CONFIDENCIAL: ESTE DIBUJO Y SU INFORMACION SON PROPIEDAD DE USO EXCLUSIVO Y CONFIDENCIAL DE REGAL-BELOIT CORPORATION. Y NO DEBERAN SER REVELADOS, DUPLICADOS, DISTRIBUIDOS O USARSE DE OTRA MANERA SIN EL CONSENTIMIENTO ESCRITO DE REGAL-BELOIT CORPORATION. -TODOS LOS DERECHOS RESERVADOS.	FECHA EDS: 11-11-2011 REV. FORMATO: H
--	--

**REGAL** REGAL-BELOIT CORPORATION

DESCRIPCION: OUTLINE

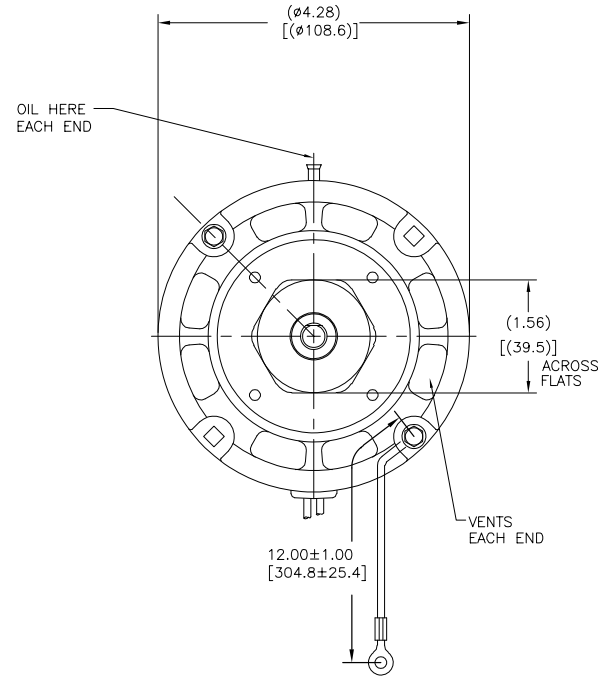
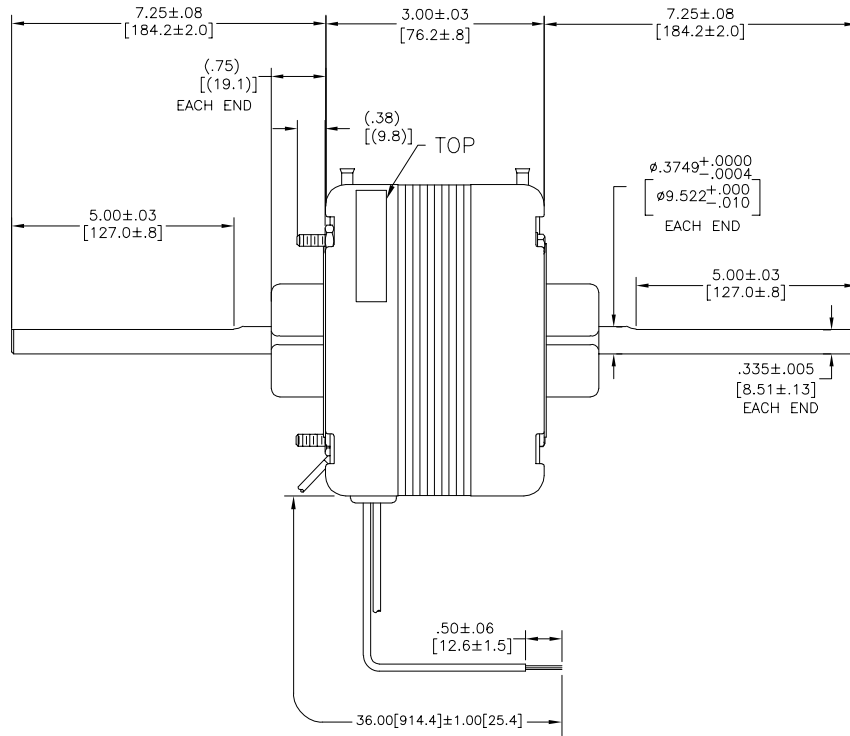
TAMAÑO: C NUMERO DE DIBUJO: CA2E130

ESCALA: NONE HOJA: 1

CUSTOMER IS SOLELY RESPONSIBLE FOR MOTOR PERFORMANCE AND SUITABILITY IN APPLICATIONS FOR CUSTOMER'S USES.

版本	ECO	编制	日期	批准	日期
BC	0027378	H.REN	07-13-2012	B.SHEN	07-13-2012

END PLAY .04[1.0] MAXIMUM



CCWLE



THERMALLY PROTECTED  
MOD CA2E130N#

Tipp City, OH



SER. DATE PLT  
115V 60HZ 1550RPM 1.4A 1/25HP CONT A.O. 1PH.  
← ROTATION → STK NO 322 ASSEMBLED IN MEXICO

ELECTRICALLY PER  
SAMPLE S-1923B

形位公差	除另有注明
□ 平面度	尺寸公差如下:
— 直线度	英寸 X XX XXX XXXX
∠ 倾斜度	英寸 ±.1 ±.02 ±.005 ±.0005
⊥ 垂直度	毫米 ±0.5 ±0.13 ±0.013
∥ 平行度	角度 ±.50 度
⊙ 圆度	清理毛刺和尖棱
⊘ 圆跳动	英寸 .003-.015 毫米 0.1-0.4
⊖ 面轮廓度	内圆角
⌒ 线轮廓度	英寸 .020 毫米 0.5
↻ 圆跳动	表面粗糙度
⊕ 位置度	英寸 125 毫米 3.2
⊖ 同轴度	米制尺寸显示在 [ ]
⊖ 对称度	

ASME Y14.5M 1994

绘图:

批准:

第三角投影



图纸格式发布日期 11-11-2011  
图纸格式版本 H

机密: 本图纸及相关信息所有权归REGAL-BELOIT CORPORATION  
未经REGAL-BELOIT CORPORATION书面授权, 不得泄露、  
复制、传播或作其他用途。--版权所有

**REGAL** REGAL-BELOIT CORPORATION

名称

OUTLINE

图幅

C

图号

CA2E130

比例

NONE

页号

1