

# PRODUCT INFORMATION PACKET



Model No: 2825  
Catalog No: 2825  
1/5 HP Fan & Blower Motor, 1075 RPM, 3 Speed, 115 Volts, 42 Frame, OAO  
Direct Drive Motors



Regal and Genteq are trademarks of Regal Beloit Corporation or one of its affiliated companies.  
©2020 Regal Beloit Corporation, All Rights Reserved. MC017097E





**Nameplate Specifications**

Output HP	1/5 Hp	Output KW	0.15 kW
Frequency	60 Hz	Voltage	115 V
Current	3.51 A	Speed	1075 rpm
Service Factor	1	Phase	1
Duty	Continuous Air Over	Insulation Class	B
Frame	42	Enclosure	Open Air Over
Thermal Protection	Thermally Protected	Ambient Temperature	40 °C
UL	Recognized	CSA	Y
CE	N		

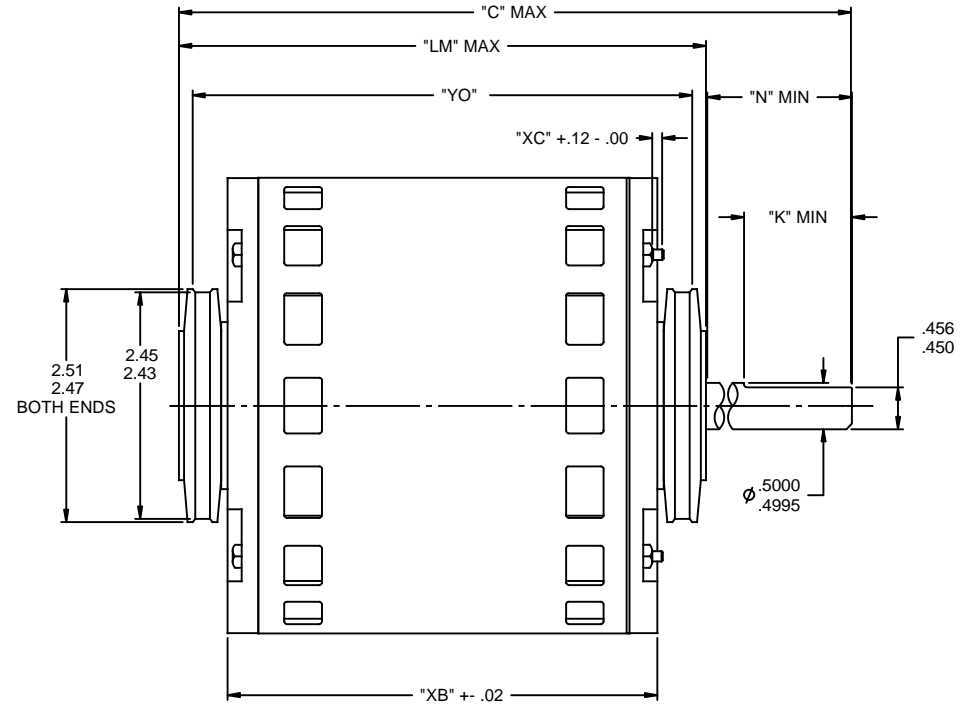
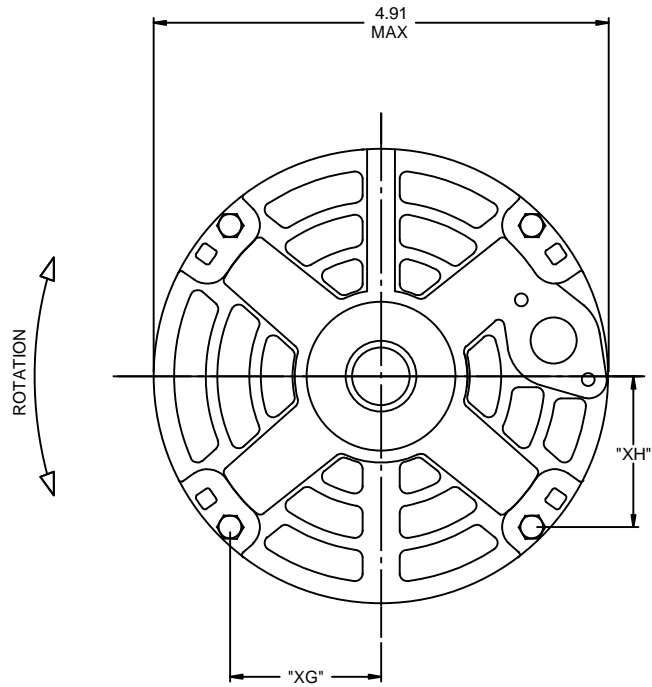
**Technical Specifications**

Electrical Type	Permanent Split Capacitor	Poles	6
Rotation	Reversible	Mounting	Resilient Rings
Motor Orientation	Horizontal	Drive End Bearing	Sleeve
Opp Drive End Bearing	Sleeve	Frame Material	Rolled Steel
Shaft Type	Flat	Overall Length	9.45 in
Frame Length	4.16 in	Shaft Diameter	0.500 in
Shaft Extension	4.00 in	Thru-bolts Extension	0.69 in
Connection Drawing	NP24X327722	Outline Drawing	5KCP29KG5855S

This is an uncontrolled document once printed or downloaded and is subject to change without notice. Date Created:06/11/2020

RBC PROPRIETARY AND CONFIDENTIAL INFORMATION  
 This document is the property of REGAL BELOIT CORPORATION ("RBC") including its subsidiaries and divisions and contains proprietary information of RBC. This document is loaned on the express condition that neither it nor the information contained therein shall be disclosed to others without the express written consent of RBC, and that the information shall be used by the recipient only as approved expressly by RBC. This document shall be returned to RBC upon its request. This document may be subject to certain restrictions under U.S. export control laws and regulations.

LEAD	CONNECTION	COLOR	EXIT TYPE	EXIT LOC	GAGE	MATERIAL	WALL THICKNESS	LENGTH	TERMINATION
1	COMMON	WHITE	SHELL NOTCH	3:00	18	THERMO	4/64	26.00	BWS
2	HIGH	BLACK	SHELL NOTCH	3:00	18	THERMO	4/64	26.00	BWS
3	MED	BLUE	SHELL NOTCH	3:00	18	THERMO	4/64	26.00	BWS
5	LOW	RED	SHELL NOTCH	3:00	18	THERMO	4/64	26.00	BWS
6	REV	BROWN	SHELL NOTCH	3:00	18	THERMO	4/64	6.00	.25 MISQC
7	REV	ORANGE	SHELL NOTCH	3:00	18	THERMO	4/64	6.00	.25 MISQC
8	REV	YELLOW	SHELL NOTCH	3:00	18	THERMO	4/64	6.00	.25 MISQC
9	REV	PURPLE	SHELL NOTCH	3:00	18	THERMO	4/64	6.00	.25 MISQC
10	CAP	BROWN	SHELL NOTCH	3:00	18	THERMO	4/64	26.00	.25 SQC
11	CAP	BRN/WHI	SHELL NOTCH	3:00	18	THERMO	4/64	26.00	.25 SQC

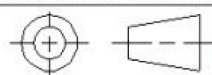


SPECIAL FEATURES
GROUND LEAD: 12.0" LG OUT OPE ES LEAD HOLE

ENCLOSURES	
END SHIELDS:	O.E.: OPEN P.E.: OPEN
SHELL:	O.E.: OPEN P.E.: OPEN

TOLERANCES UNLESS SPECIFIED		REGAL BELOIT CORPORATION		DRAWN: GFS 12/07/10	
DEC	INCHES	CHK	APPR	SCALE	1:1.33333
9.93	4.00	3.50	4.78	5.56	.69
		1.626	1.626	1.626	5.84
03	OUTLINE REDRAWN IN SOLID WORKS	GFS 12/7/2010	GFS .xx	±.01	TITLE 29 FR OUTLINE
02	REVISED PROPRIETARY AND LOGO	GFS 7/28/05	GFS .xxx	±.005	REF
01	OUTLINE REDRAWN ON CAD	KMY 12/01/99	KMY .xxx	±.0005	FMF STOCK
NO	REVISION	BY & DATE	CHK	ANG	±1/2°
			RFP		FINISH
					PREV
					SIZE
					DRAWING NO
					REV
					03
					NETWORK FILE NAME
					B 5KCP29KG5855S

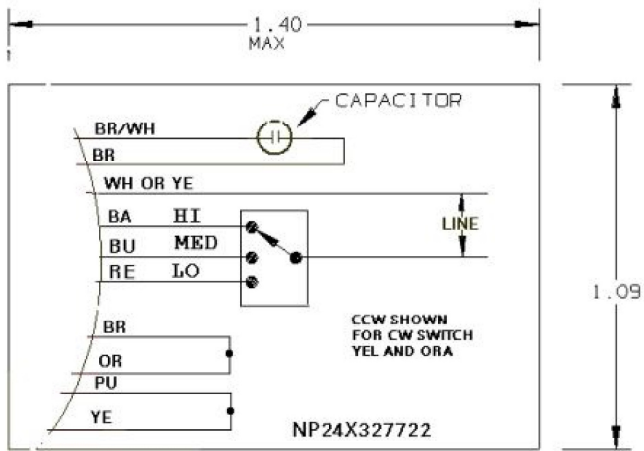
THIRD ANGLE PROJECTION		REVISIONS		
REV	DESCRIPTION	DATE	APPROVED	
1	CAS/MDI ELEC FORMAT			




Uncontrolled Copy

**CONFIDENTIAL AND PROPRIETARY**

This document is the property of General Electric Company and contains proprietary and confidential information of the Motor Business Group (MBG). The document is loaned on the express conditions that neither it nor the information contained therein shall be disclosed to others without the express consent of MBG and that the information shall be used by the recipient only as approved expressly by MBG. Also, the document shall be returned to MBG upon its request.



NOTE: THIS DRAWING WILL BE ELECTRONICALLY REPRODUCED BY THE HVAC FAN MOTOR NAMEPLATE SYSTEM.

UNLESS OTHERWISE SPECIFIED: DIMENSIONS ARE IN INCHES TOLERANCES ON: 2 PL. DECIMALS ± 3 PL. DECIMALS ± ANGLES ± FRACTIONS ± MATERIAL: APPLIED PRACTICES:	SIGNATURES	DATE	 <b>GE Motors</b> Fort Wayne, Indiana
	DRAWN	CAS 12/14/94	
	CHECKED		
	ENGRD		
	ISSUED		

CAD NO APPLIED PRACTICES:	SIZE A	FSCM NO	DWG NO NP24X327722	SCALE 3	SHEET 1 OF 1
------------------------------	-----------	---------	-----------------------	------------	-----------------

NAMEPLATE LABEL

NP24X327722

F39: XNPB