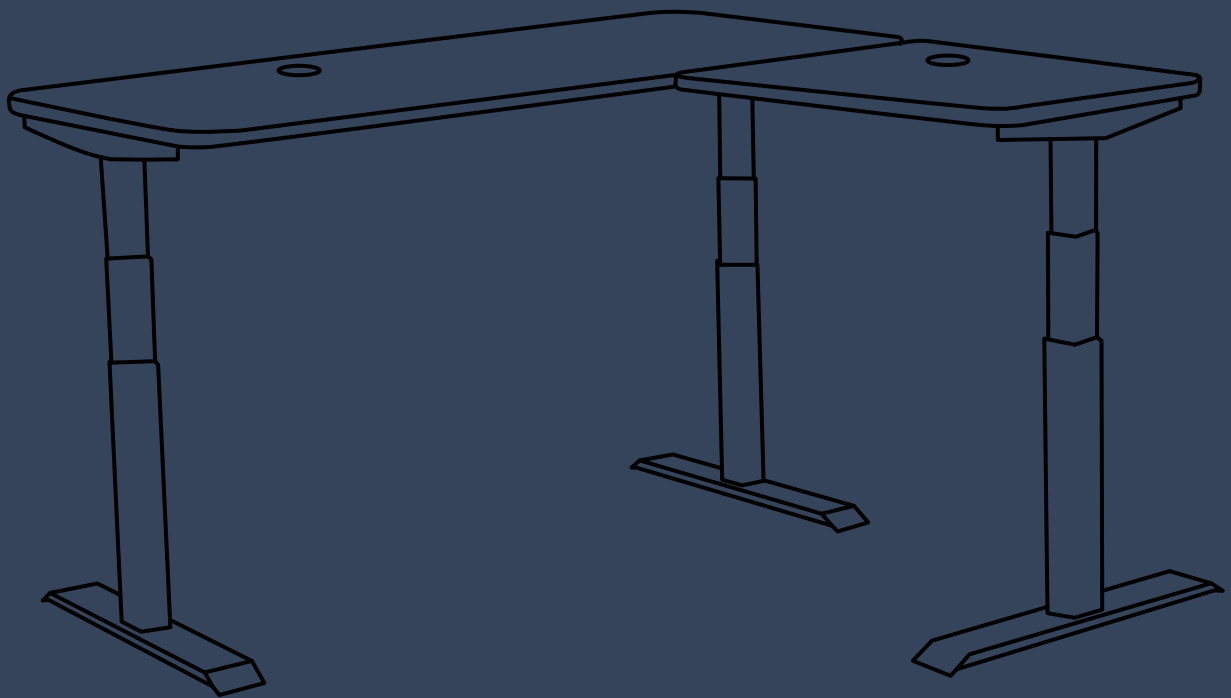


# Motion Series - L Shape Desk

## Assembly Instruction



## CAUTION / INFORMATION



Check that there are no obstacles in the desk's way.  
Ensure the desk is not touching any walls.  
Make sure the cords are long enough for height adjustments.



**Pinch Point**  
Keep hands and  
fingers clear.



Please ensure that children are kept away from the electric height-adjustable desks, control units, and handsets to prevent the risk of injury and electric shock.



Avoid exposing any electrical components to liquids.



Do not sit or stand on the desk frame. Do not crawl or lie under the desk frame.



Do not place any objects taller than 20" underneath the desk.



Do not open any of the components - the legs, control box, or switch. There is a danger of electric shock.



This product is designed with a duty cycle of 10% (2 minutes on, 18 minutes off).



In the event of a power outage or if the power cord is unplugged, a manual reset may be necessary - see USE section.



## USE / LIABILITY

This height-adjustable desk features electric motors and is intended for use exclusively in dry work areas.

The desk height is adjustable to provide the most ergonomically suitable position.

Using it for any other purpose is at the user's own risk.

The manufacturer does not accept warranty claims or liability claims for damages resulting from improper use or handling of the desk frame under any circumstances.

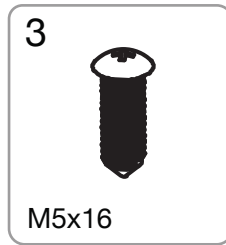
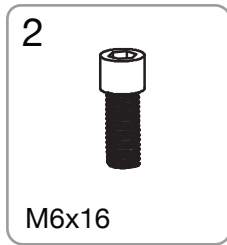
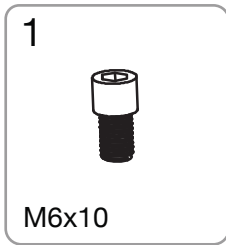
**IMPORTANT:** Please carefully review this manual. If this desk is sold, please provide this manual to the new owner.



Scan to access the step-by-step  
installation instructions and video.

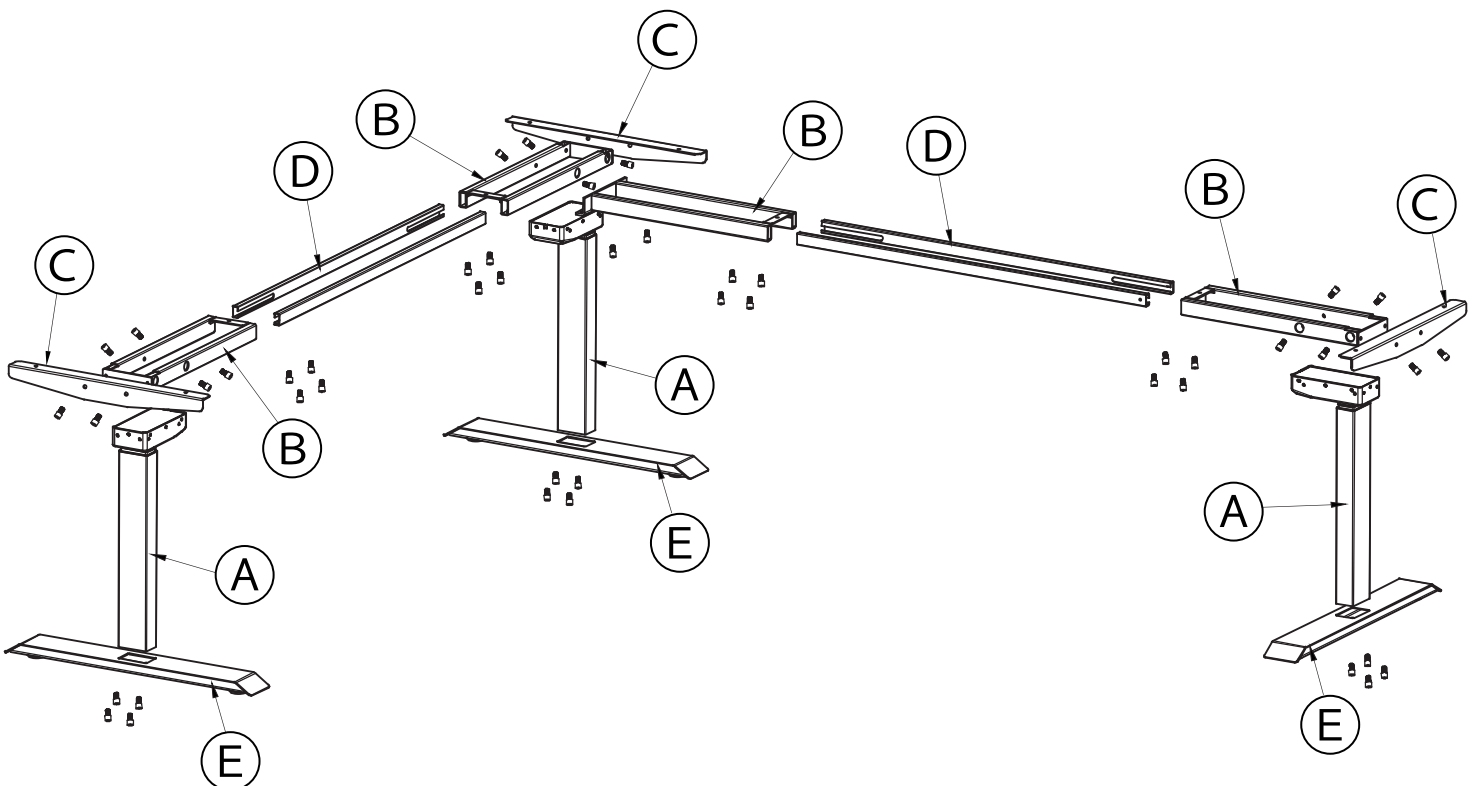
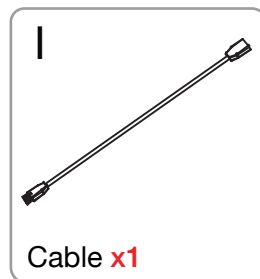
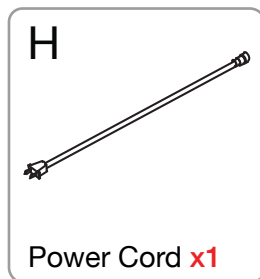
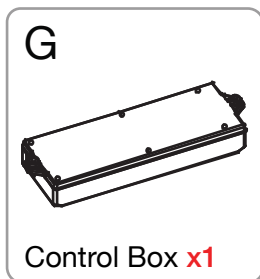
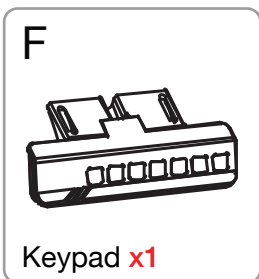
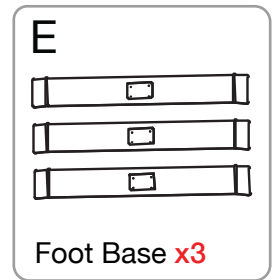
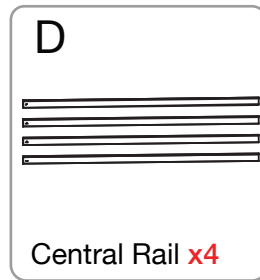
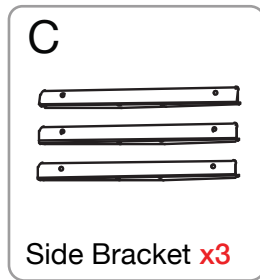
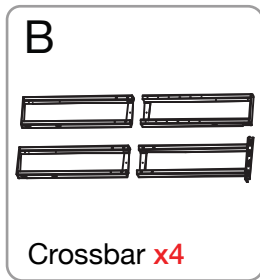
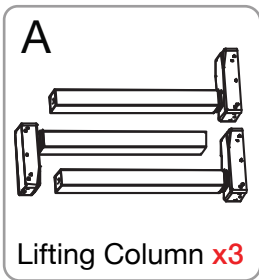
# ASSEMBLY

## ACCESSORY LIST

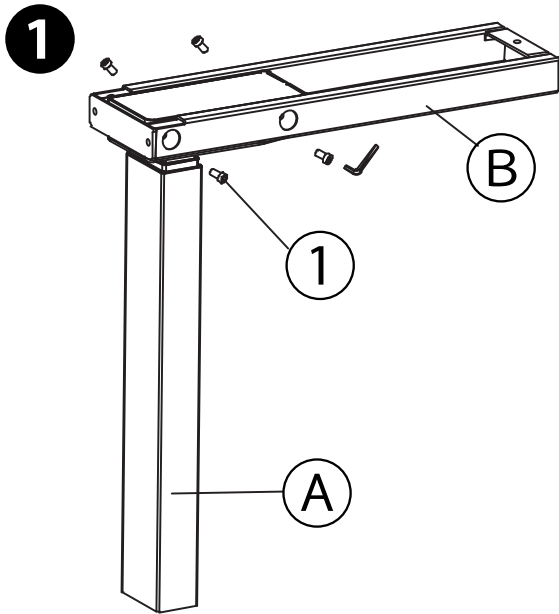


Note: Use M5\*16 wood screws to attach the Handset, Control Box, and Desktop.

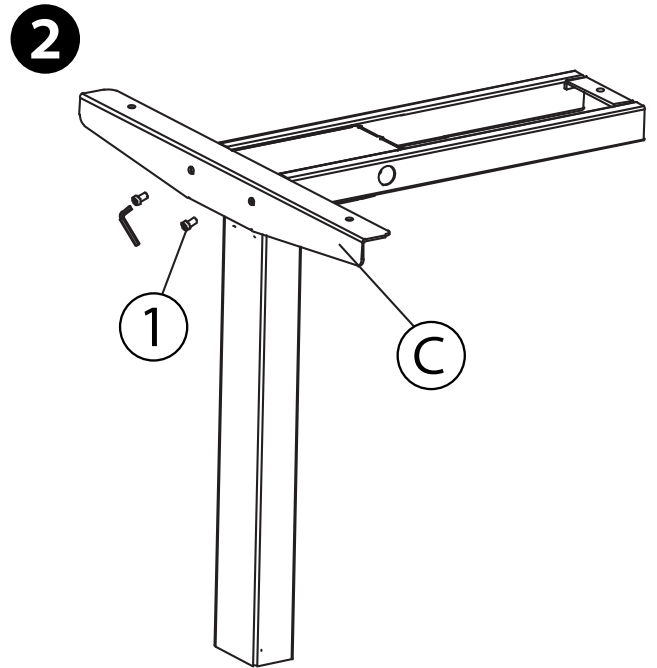
## PARTS LIST



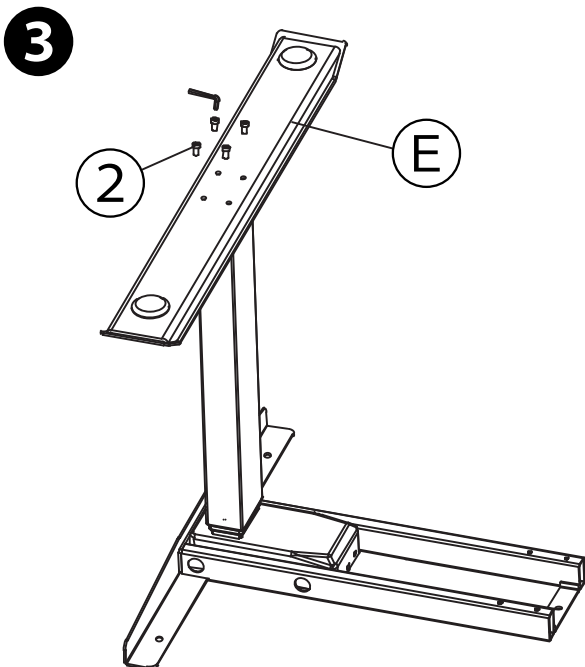
## ASSEMBLY



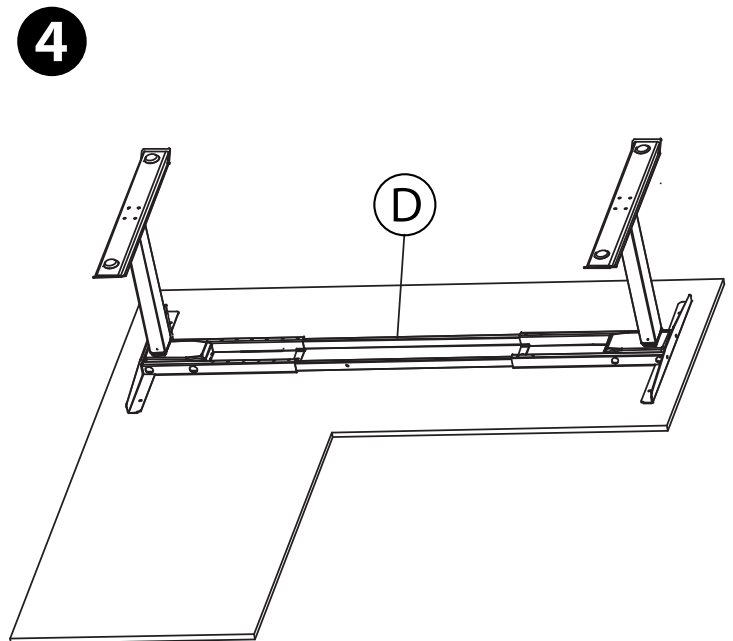
Insert the lifting column into the crossbar, and then use the allen key to insert and tighten the four M6x10 screws.



Screw on the side bracket using the M6x10 screws and allen key.



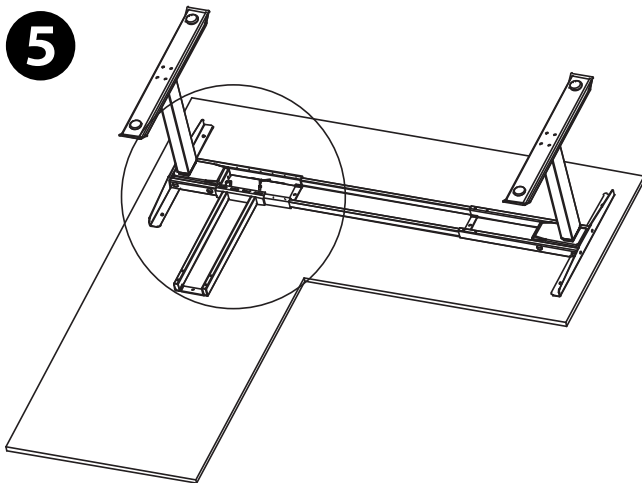
For each leg assembly, attach then screw on the foot base using four M6x16 screws and tighten them using the allen key.



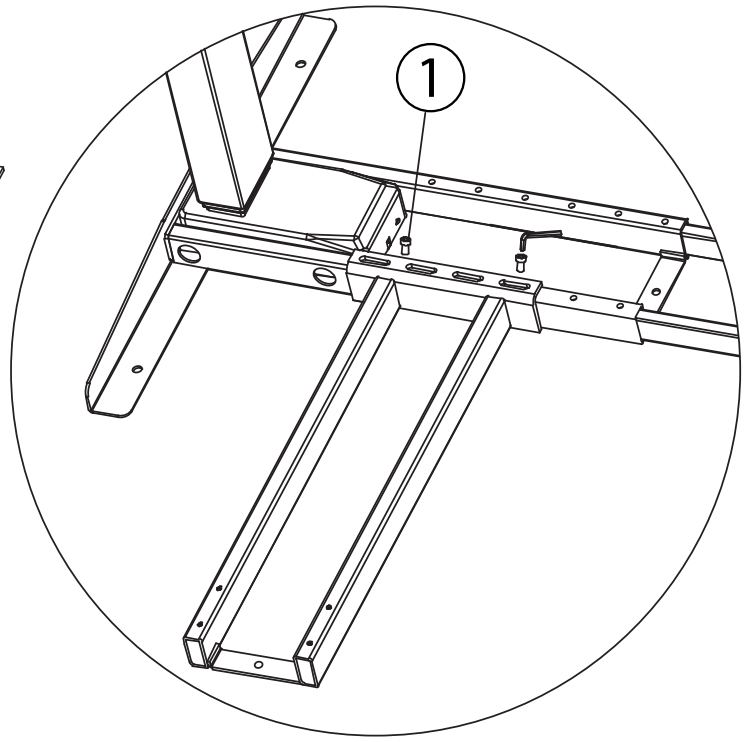
Connect the two crossbars using two central rails. Make sure the frames are properly positioned beneath the desk top.

## ASSEMBLY

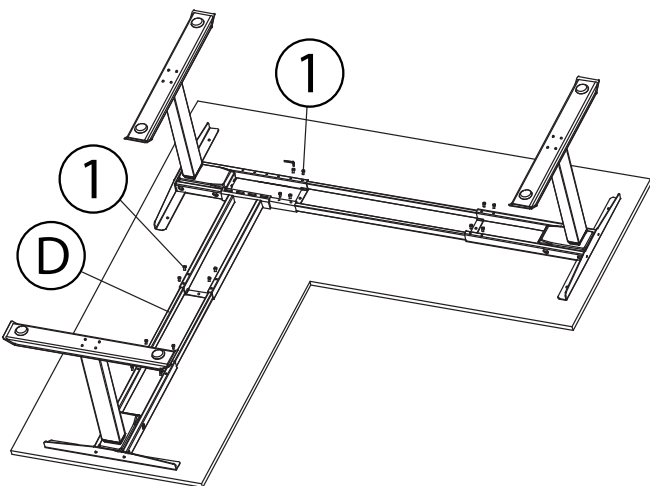
5



Screw another crossbar into the existing one and tighten it using two M6x10 screws and an allen key.

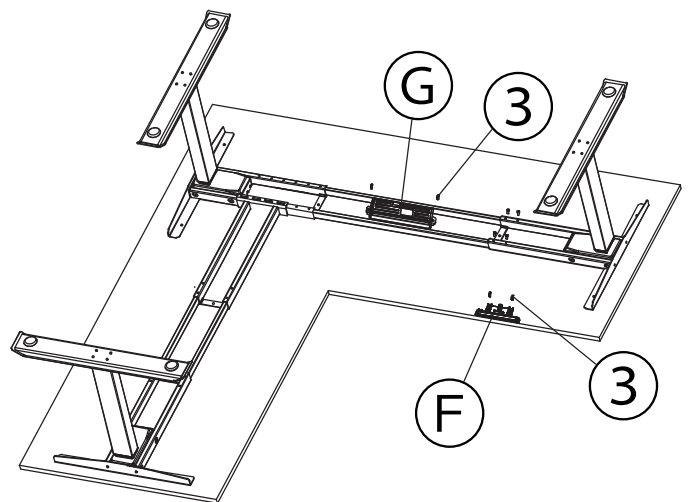


6



Secure the other set of leg assembly and central rails to the desk top using M6x10 screws and an allen key.

7



Screw the keypad and control box onto the desk and tighten them using M5x16 screws.