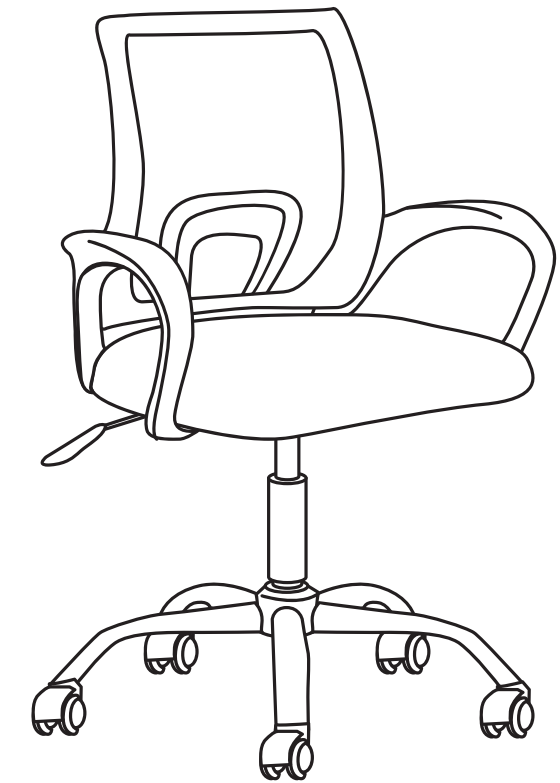


MotionGrey

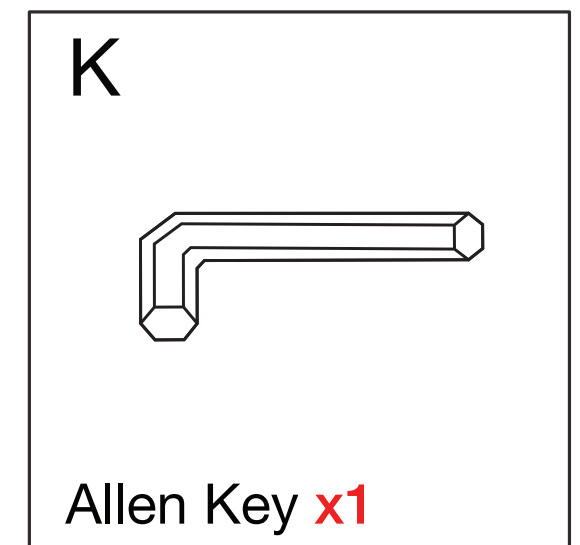
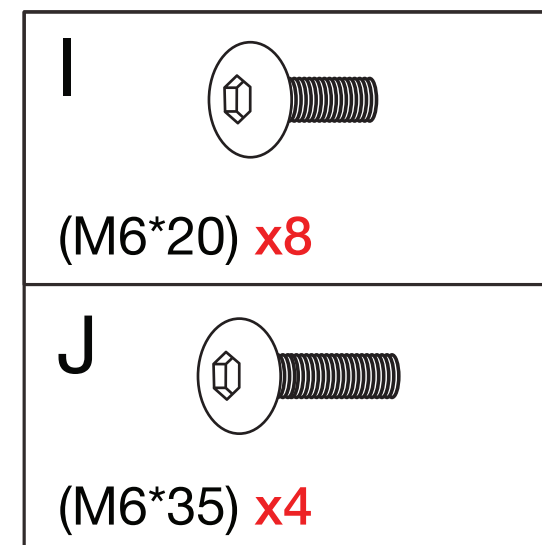
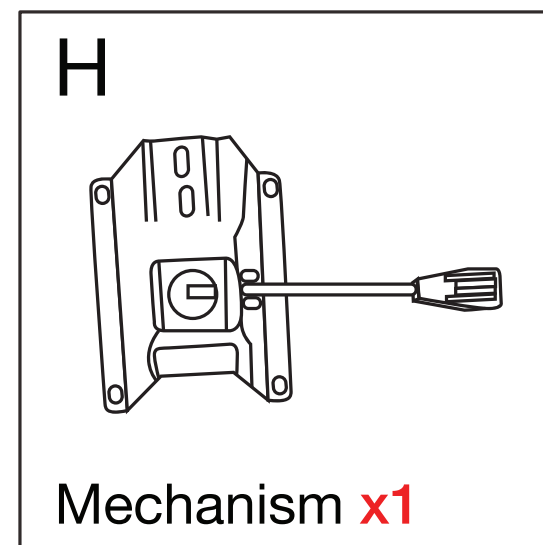
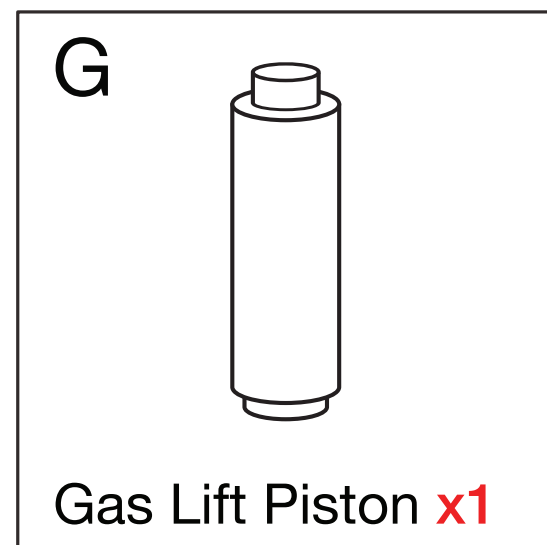
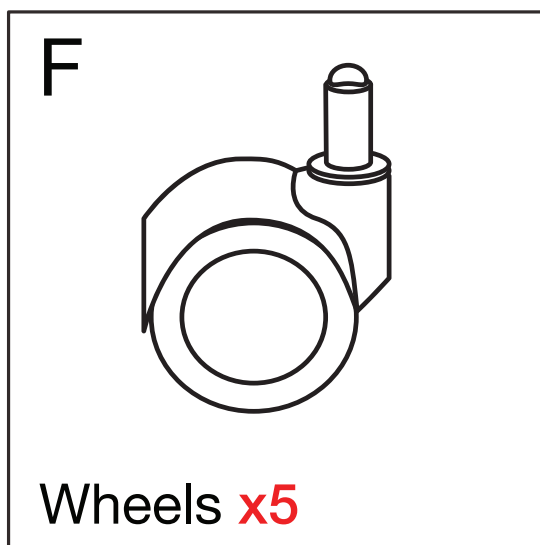
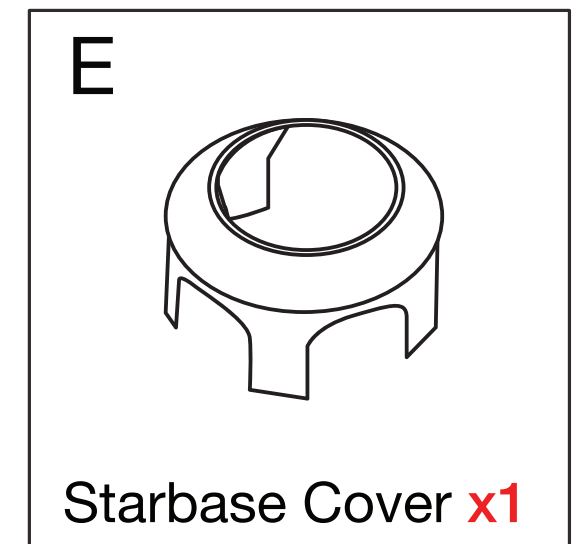
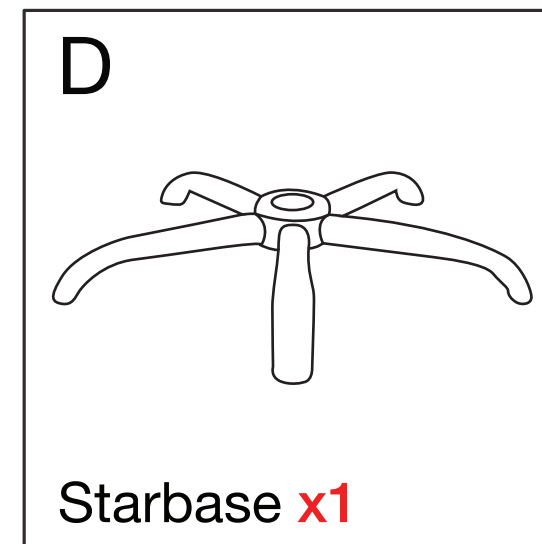
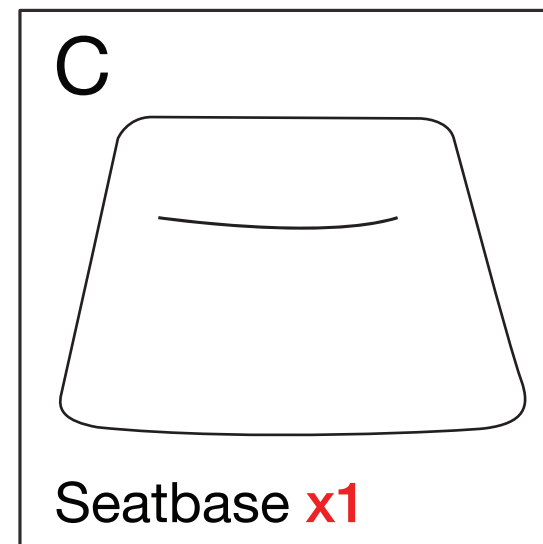
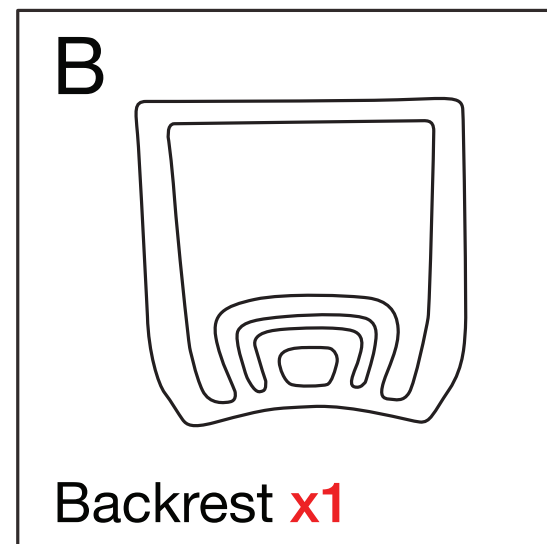
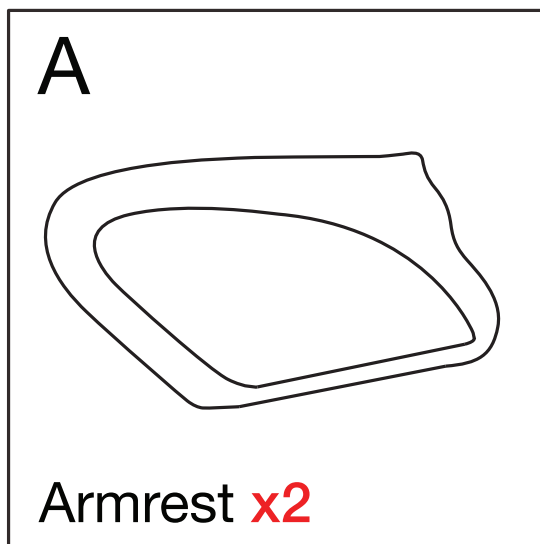
Motion MS1 Office Chair - Assembly Instruction



Scan to access the step-by-step installation instructions and video.

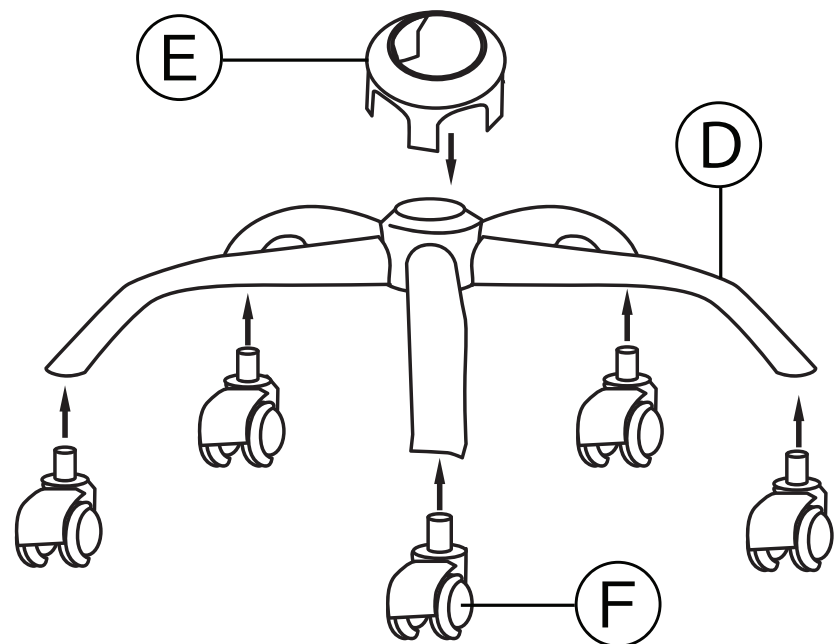


PARTS AND SCREW ACCESSORIES



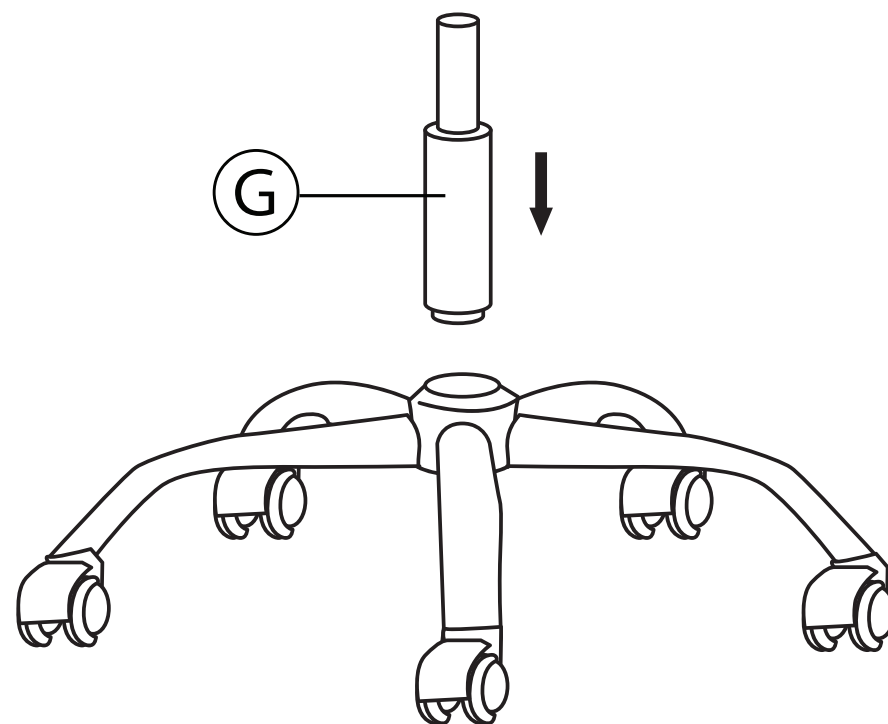
STEP 1

Attach the starbase cover and wheels to the starbase.



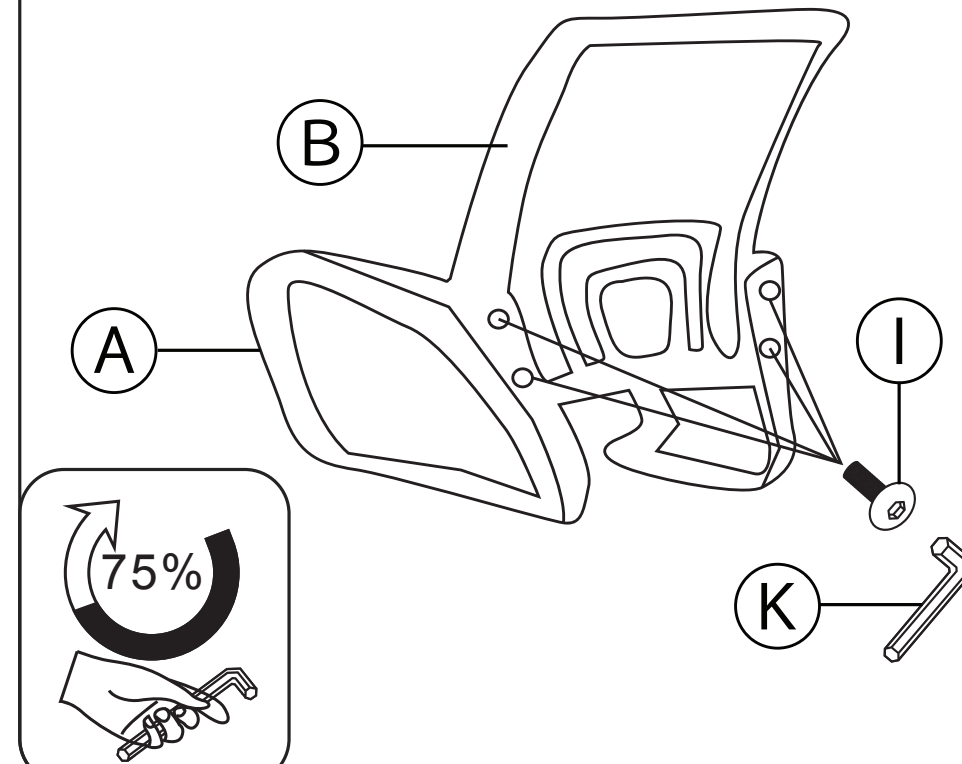
STEP 2

Insert the gas lift piston into the starbase.



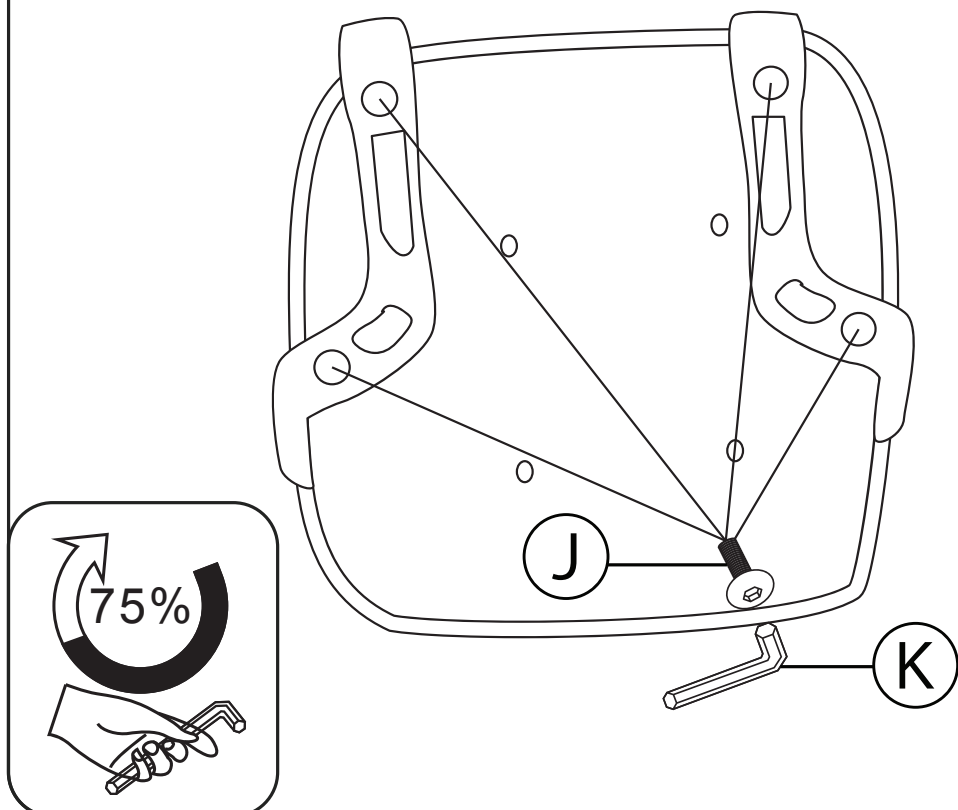
STEP 3

Use the allen key to attach the armrest to the backrest with 4 M6*20 screws, tightening them 75% of the way.



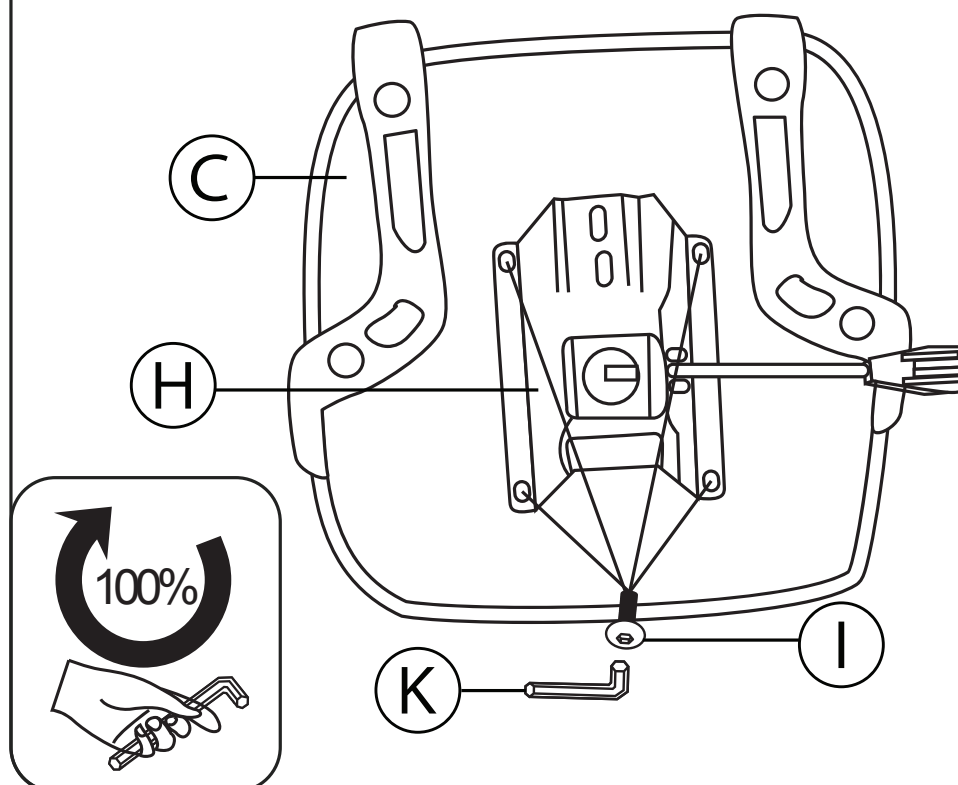
STEP 4

Use the allen key to secure the armrest to the seatbase with 4 M6*35 screws, tightening them 75% of the way.



STEP 5

Attach the mechanism under the seatbase using 4 M6*20 screws, tightening them all the way.



STEP 6

Double-check everything in a final inspection.

