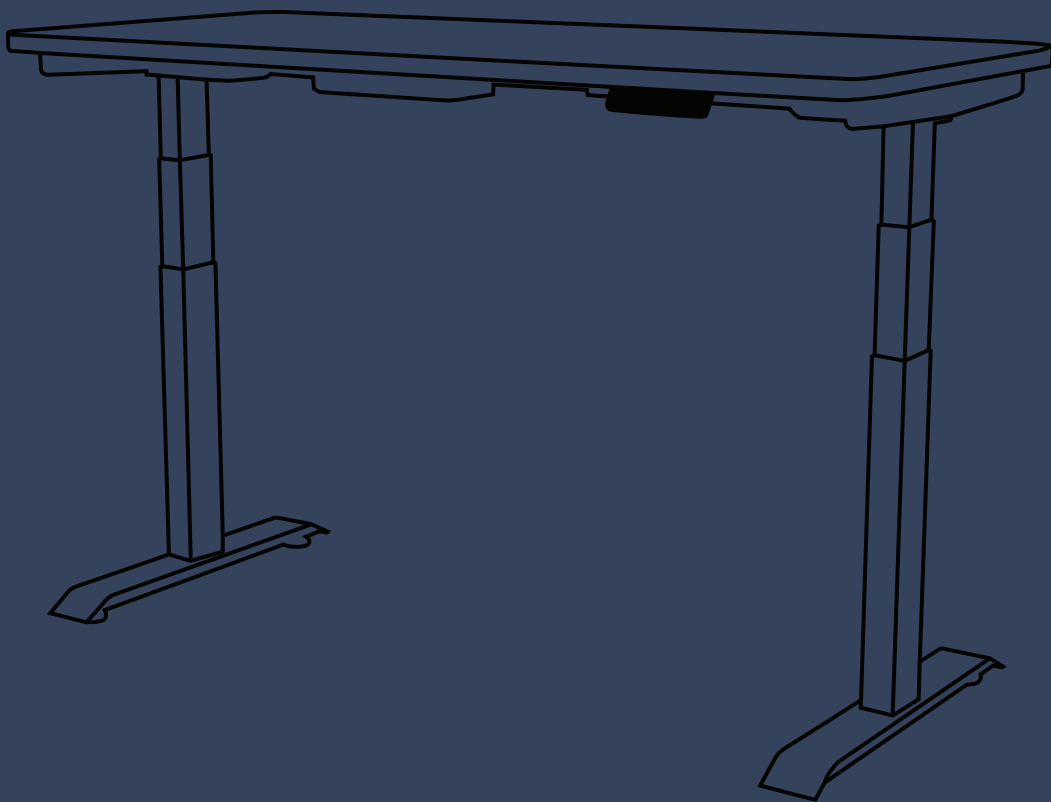


Motion Series - Standing Desk

Assembly Instruction



CAUTION / INFORMATION



Check that there are no obstacles in the desk's way.
Ensure the desk is not touching any walls.
Make sure the cords are long enough for height adjustments.



Pinch Point
Keep hands and
fingers clear.



Please ensure that children are kept away from the electric height-adjustable desks, control units, and handsets to prevent the risk of injury and electric shock.



Avoid exposing any electrical components to liquids.



Do not sit or stand on the desk frame. Do not crawl or lie under the desk frame.



Do not place any objects taller than 20" underneath the desk.



Do not open any of the components - the legs, control box, or switch. There is a danger of electric shock.



This product is designed with a duty cycle of 10% (2 minutes on, 18 minutes off).



In the event of a power outage or if the power cord is unplugged, a manual reset may be necessary - see USE section.



USE / LIABILITY

This height-adjustable desk features electric motors and is intended for use exclusively in dry work areas.

The desk height is adjustable to provide the most ergonomically suitable position.

Using it for any other purpose is at the user's own risk.

The manufacturer does not accept warranty claims or liability claims for damages resulting from improper use or handling of the desk frame under any circumstances.

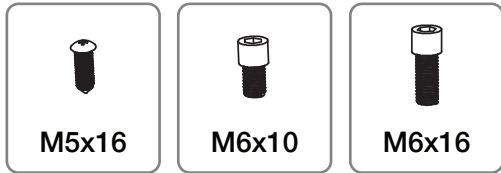
IMPORTANT: Please carefully review this manual. If this desk is sold, please provide this manual to the new owner.



Scan to access the step-by-step
installation instructions and video.

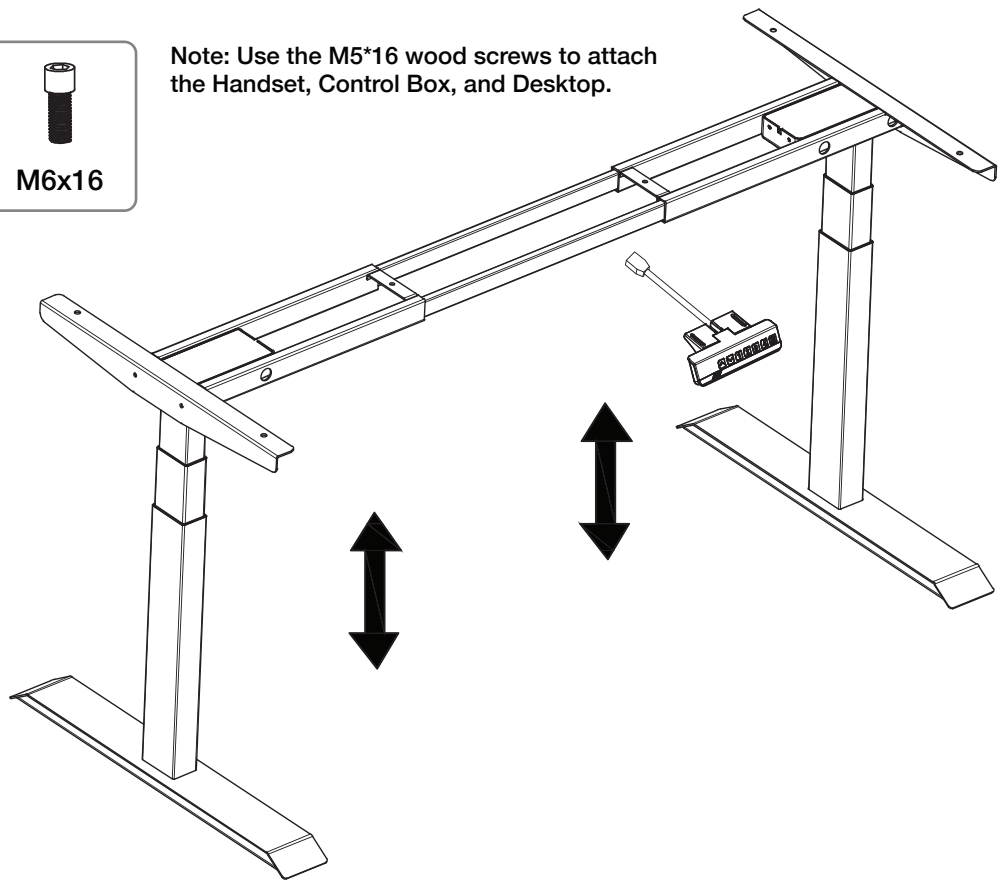
ASSEMBLY

ACCESSORY LIST

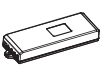



Note: Use the M5*16 wood screws to attach the Handset, Control Box, and Desktop.

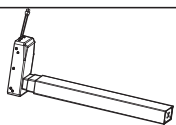
TOOL

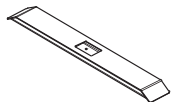


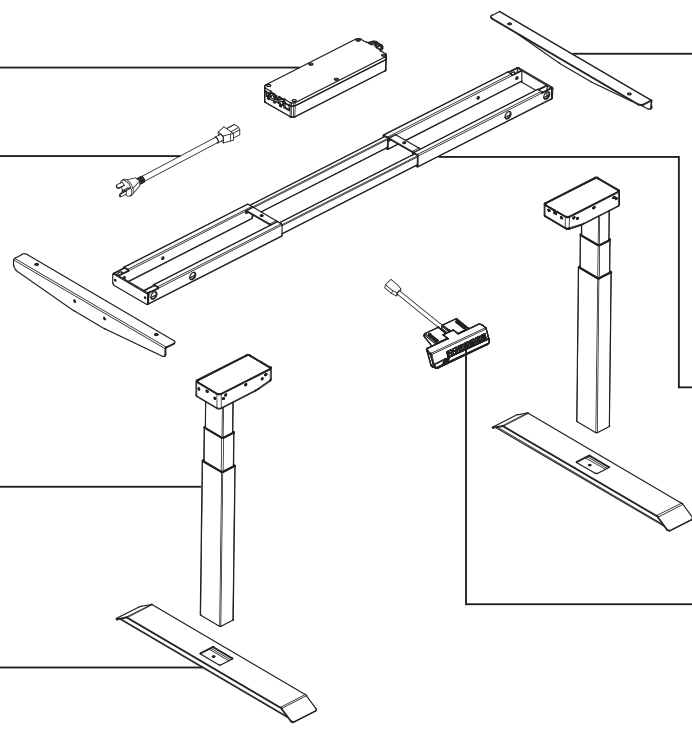
PARTS LIST

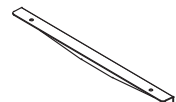
NO.	CONTROL BOX	QTY
1		1

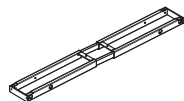
NO.	POWER CABLE	QTY
2		1


NO.	LIFTING COLUMN	QTY
3		2

NO.	FOOT	QTY
4		2



NO.	SIDE BRACKET	QTY
5		2

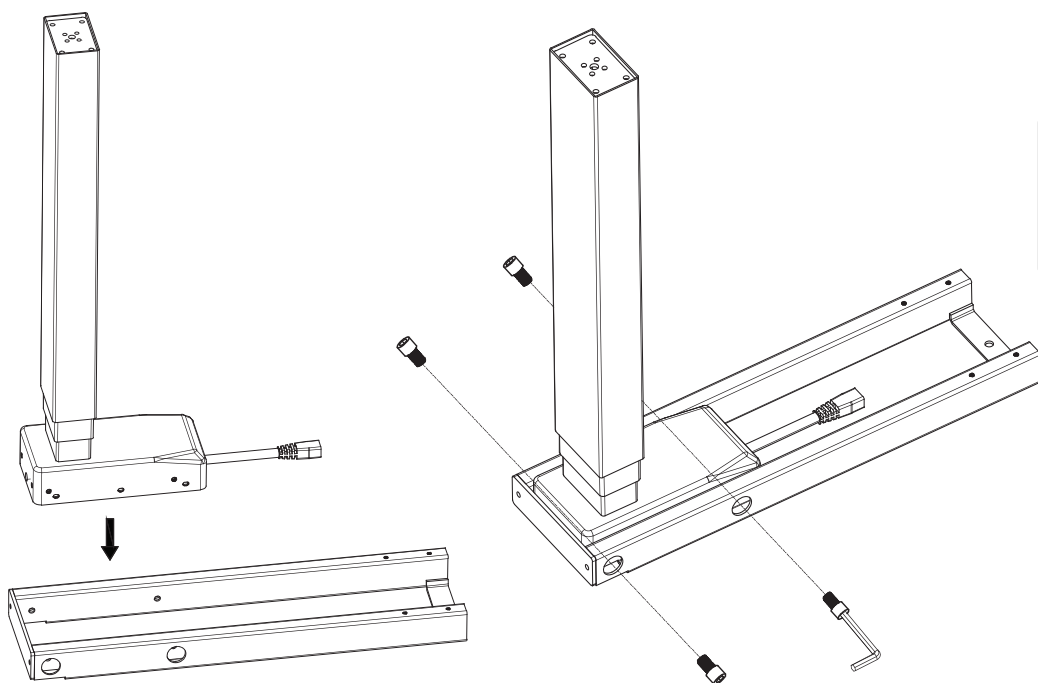
NO.	CROSSBAR	QTY
6		1

NO.	KEYPAD	QTY
7		1

- 1** Separate the frame ends from the center rail inside.



- 2** Insert the frame end into the leg part, and then use the Allen key to insert and tighten the four M6x10 screws.



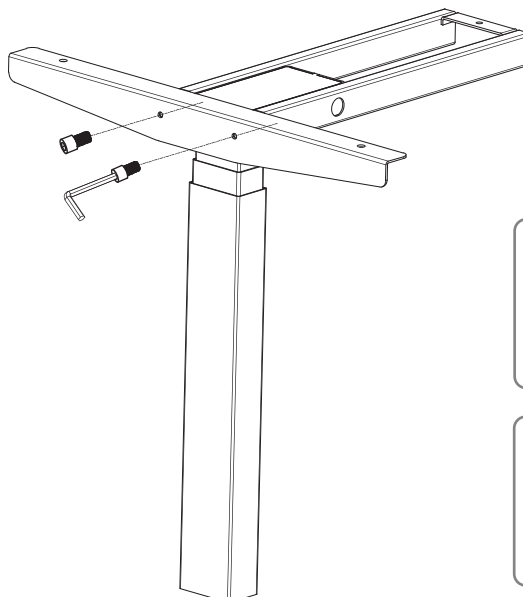
M6x10



5mm
Allen Key

- 3** Slide the side bracket into the frame end. Insert two M6x10 screws through the holes in the frame end into the side bracket. Use the Allen key to tighten the screws.

Repeat the same process for the other frame end and leg assembly.

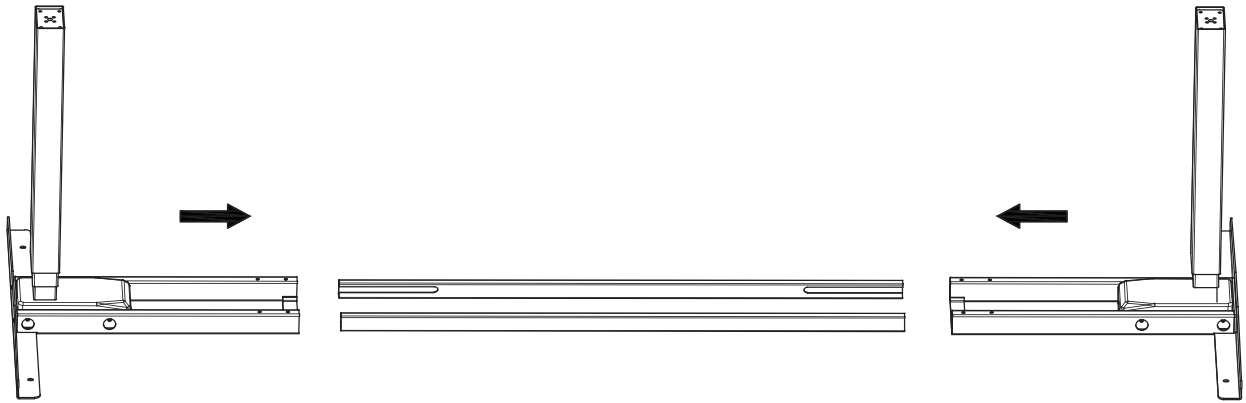


M6x10

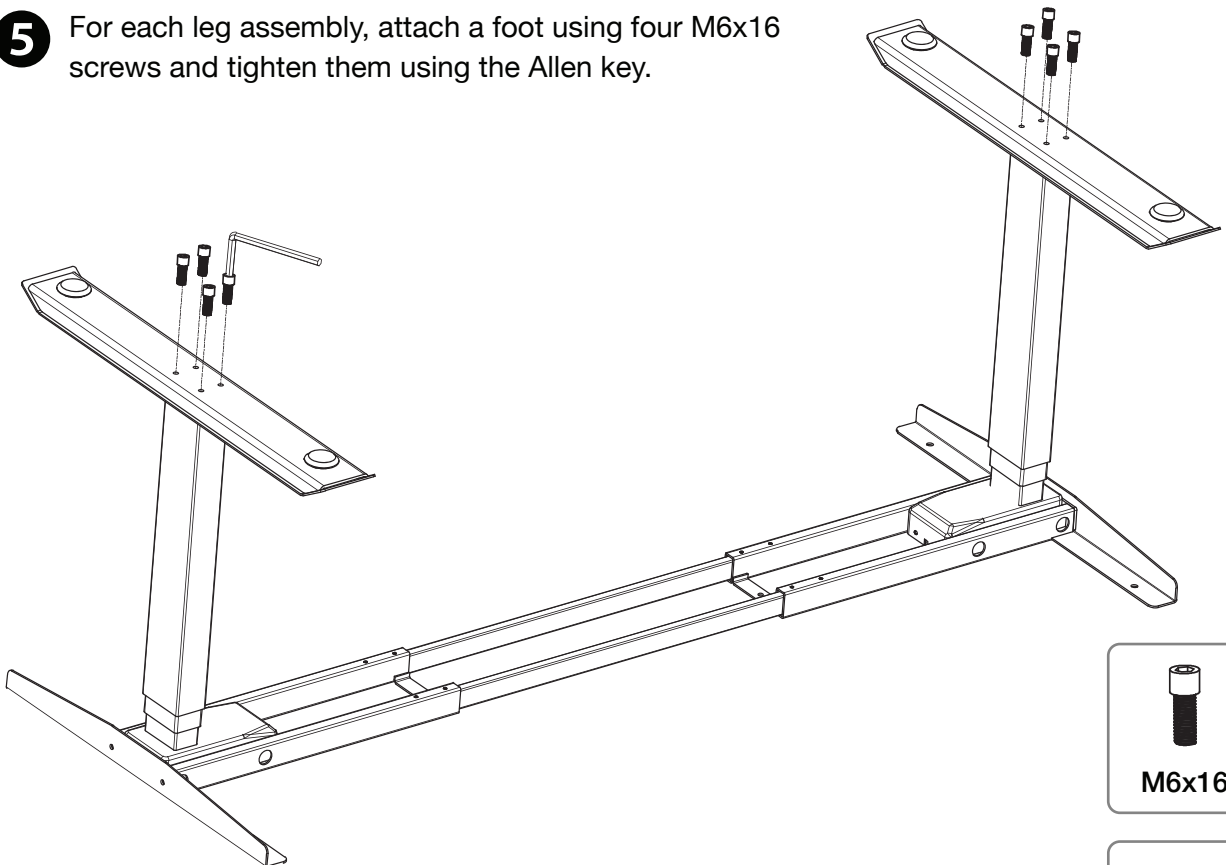


5mm
Allen Key

4 Slide the frame ends into the center rail. Ensure center rail slots face inward.



5 For each leg assembly, attach a foot using four M6x16 screws and tighten them using the Allen key.

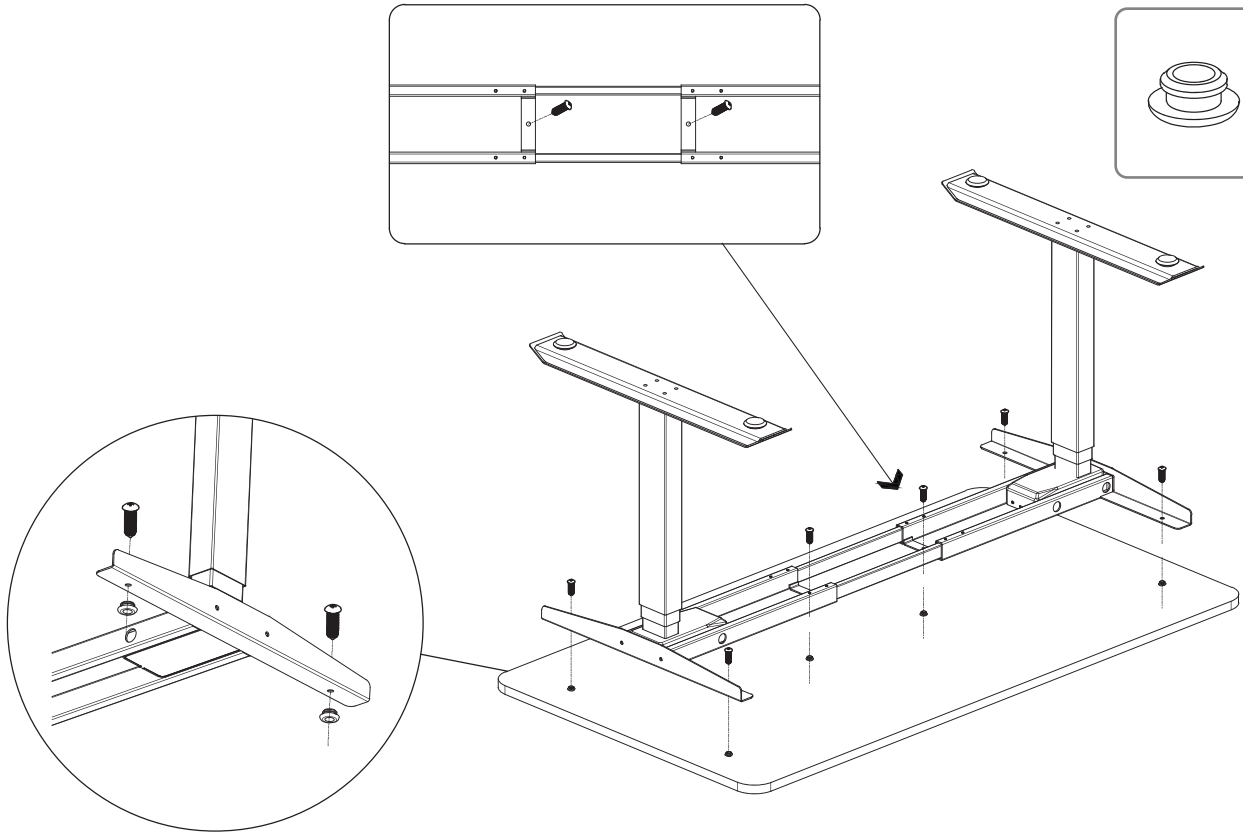
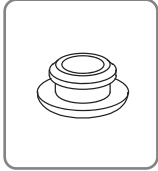


M6x16

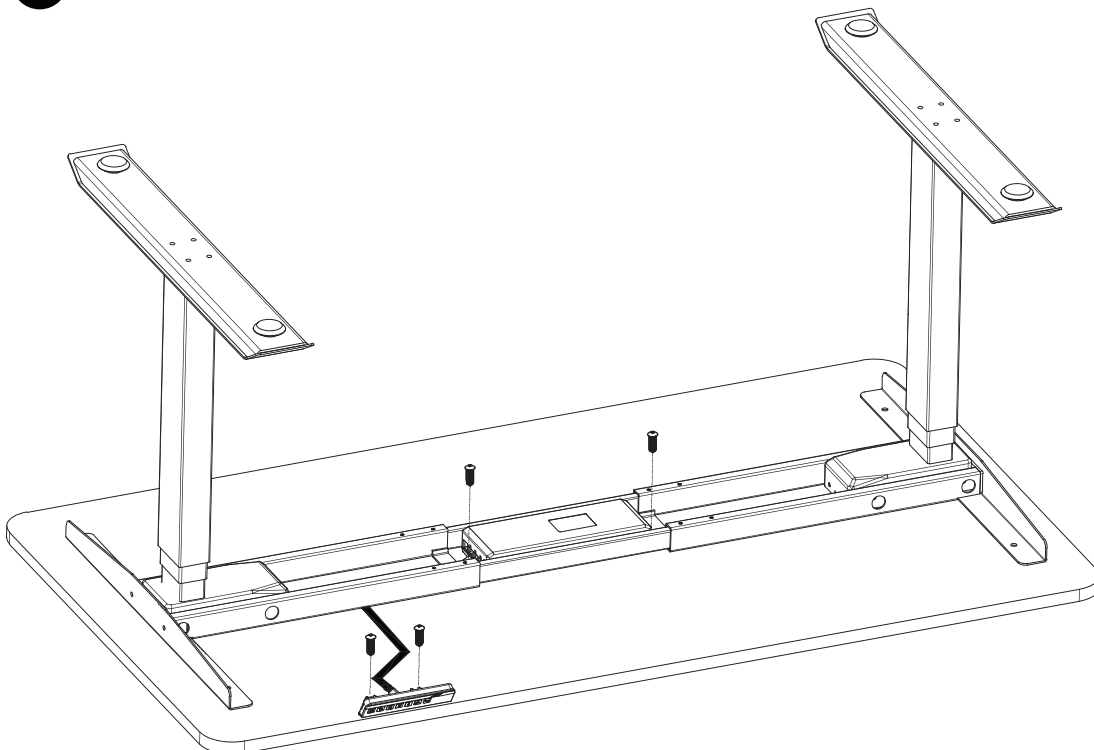


5mm
Allen Key

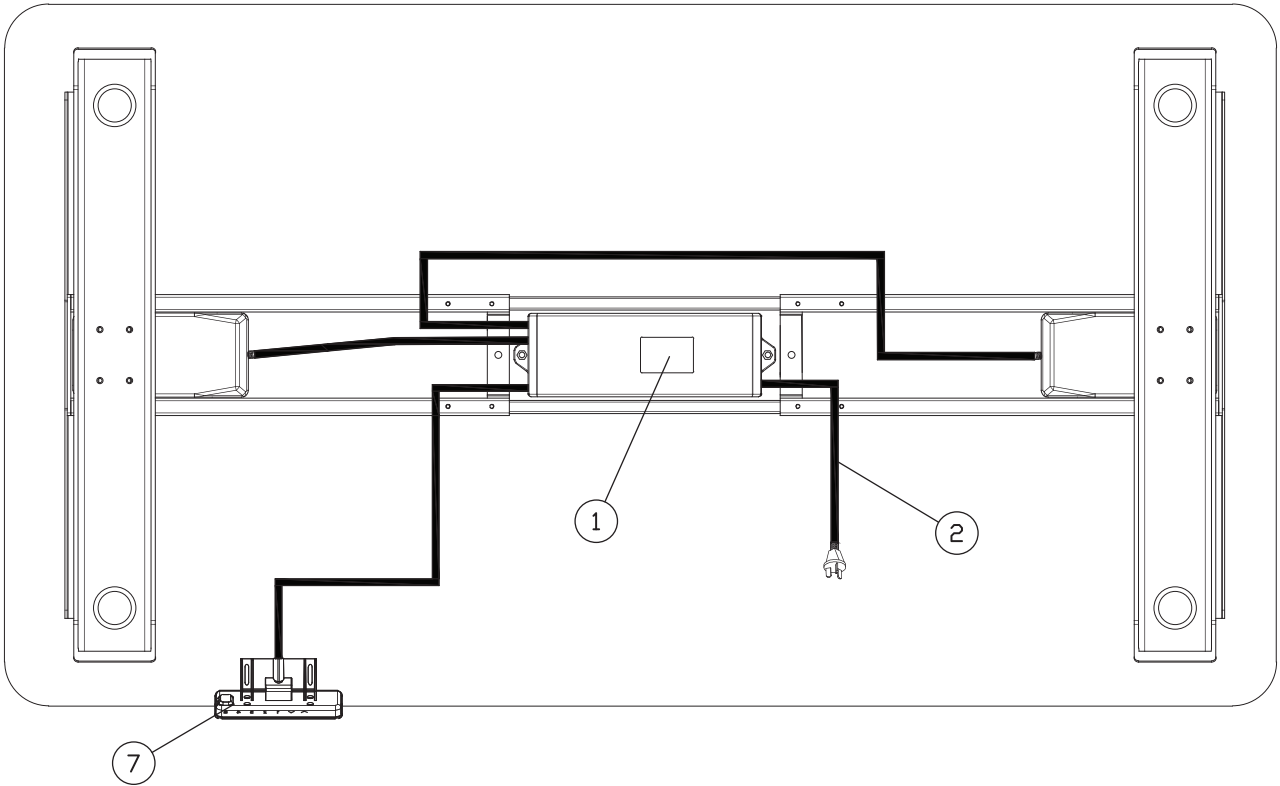
6 Make sure the desk base is properly positioned beneath the desktop. Use six M5x16 screws to secure the frame to the tabletop.



7 Use four screws to secure the keypad and control box to the tabletop.



8 Connect the frame cable, keypad cable, and power cable to the control box.



9 Carefully turn the assembled desk right-side up and perform a final inspection.

