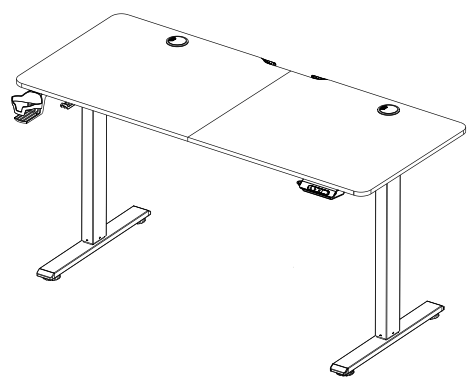


Assembly Instruction

Ergo 2 Series 55" x 24"



Scan to access the step-by-step installation instructions and video.



S1 6mm Allen Key x1	S2 3mm Allen Key x1	S3 Bracket Screw (M8) x14	S4 Metal Rod Connector Screw (M5) x2	S5 Frame Screw (M4) x2	S6 Foot Base & Motor Screw (M8) x9		
S7 Wire Clip x3	S8 Grommet x2	S9 Footer x4	S10 Wood Screw (M4) x38	S11 Table Top Connector x2			
A Frame x2	B Central Bracket with Metal Frame Connector x1	C Central Bracket x1	D Motor x1	E Metal Rod #1 x1	F Metal Rod Connector x1	G Metal Rod #2 x1	
H Foot Base x2	I Side Bracket x2	J Table Top x1	K Keypad x1	L Headphone Hook x1	M Cup Holder x1	N Power Cord x1	O Cable Clip x1

STEP 1

S3x2

S3x2

S3 **x4**

S1 **x1**

STEP 2

S3x2

S3 **x2**

S1 **x1**

Make sure the Front labels are in the same direction.

STEP 3

S3x2

S3 **x4**

S1 **x1**

STEP 4

S6

S6 **x1**

S1 **x1**

STEP 5

G

S4x2

F ↓

G

S4

Tighten

S4 x2

S2 x1

STEP 6

I x2

S3x2

S5

I

S3x2

S5

S5

S3 x4

S5 x2

S2 x1

S1 x1

STEP 7

H x2

S6x4

S9x2

H

S6x4

S9x2

H

S6 x8

S1 x1

S9 x4

⚠

Please ensure that the table legs are aligned vertically with the connecting point. Afterward, tighten all the screws.

STEP 8

J

S10x8

O

S11x2

S10 x8

S11 x2

S1 x1

⚠

1. Please ensure that the two boards are aligned seamlessly.
2. Then, tighten the screws.

STEP 9

K

L

N

M

S10x30

S7x3

Power N Clip

Motor

S10 x30

S1 x1

S7 x3

STEP 10

S8

S8

RST

⬆

After the table is installed, please press the **RST** key to start.