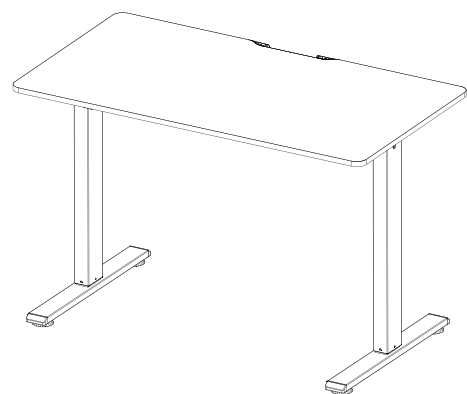


Assembly Instruction

Ergo 2 Series 43" x 24"



Scan to access the step-by-step installation instructions and video.



SCREW ACCESSORIES

<p>S1</p> <p>6mm Allen Key x1</p>	<p>S2</p> <p>3mm Allen Key x1</p>	<p>S3</p> <p>Bracket Screw (M8) x13</p>	<p>S4</p> <p>Metal Rod Connector Screw (M5) x2</p>	<p>S5</p> <p>Frame Screw (M4) x2</p>
<p>S6</p> <p>Foot Base & Motor Screw (M8) x8</p>	<p>S7</p> <p>Wire Clip x3</p>	<p>S8</p> <p>Footer x4</p>	<p>S9</p> <p>Wood Screw (M4) x22</p>	

PARTS ACCESSORIES

<p>A</p> <p>Frame x2</p>	<p>B</p> <p>Central Bracket x2</p>	<p>C</p> <p>Metal Frame Connector x2</p>	<p>D</p> <p>Motor x1</p>	<p>E</p> <p>Metal Rod #1 x1</p>
<p>F</p> <p>Metal Rod Connector x1</p>	<p>G</p> <p>Metal Rod #2 x1</p>	<p>H</p> <p>Foot Base x2</p>	<p>I</p> <p>Side Bracket x2</p>	<p>J</p> <p>Table Top x1</p>
<p>K</p> <p>Cable Clip x1</p>				

STEP 1

A*2, **B**, **S3x3**, **C**, **A**, **S3x3**, **C**, **A**

S3 x6, **S1** x1

STEP 2

B, **S3x2**, **C*2**, **Front**, **Front**

S3 x2, **S1** x1

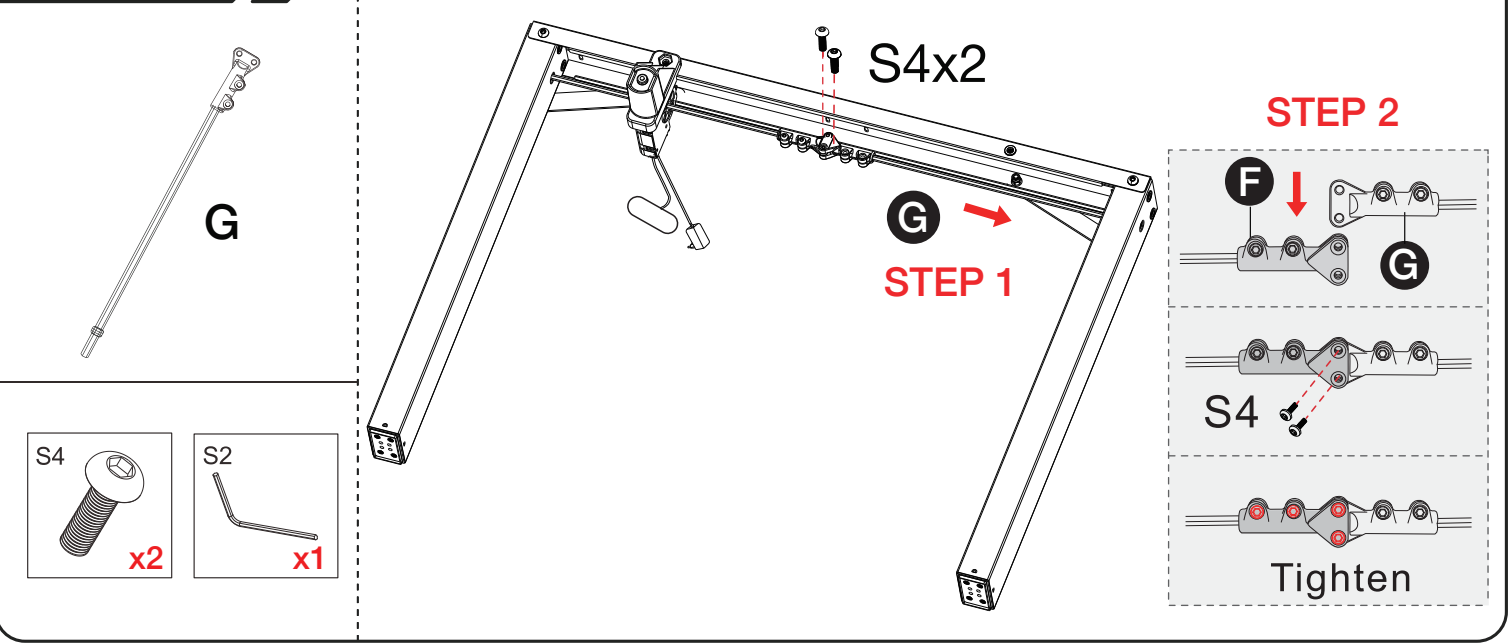
Make sure the Front labels are in the same direction.

STEP 3

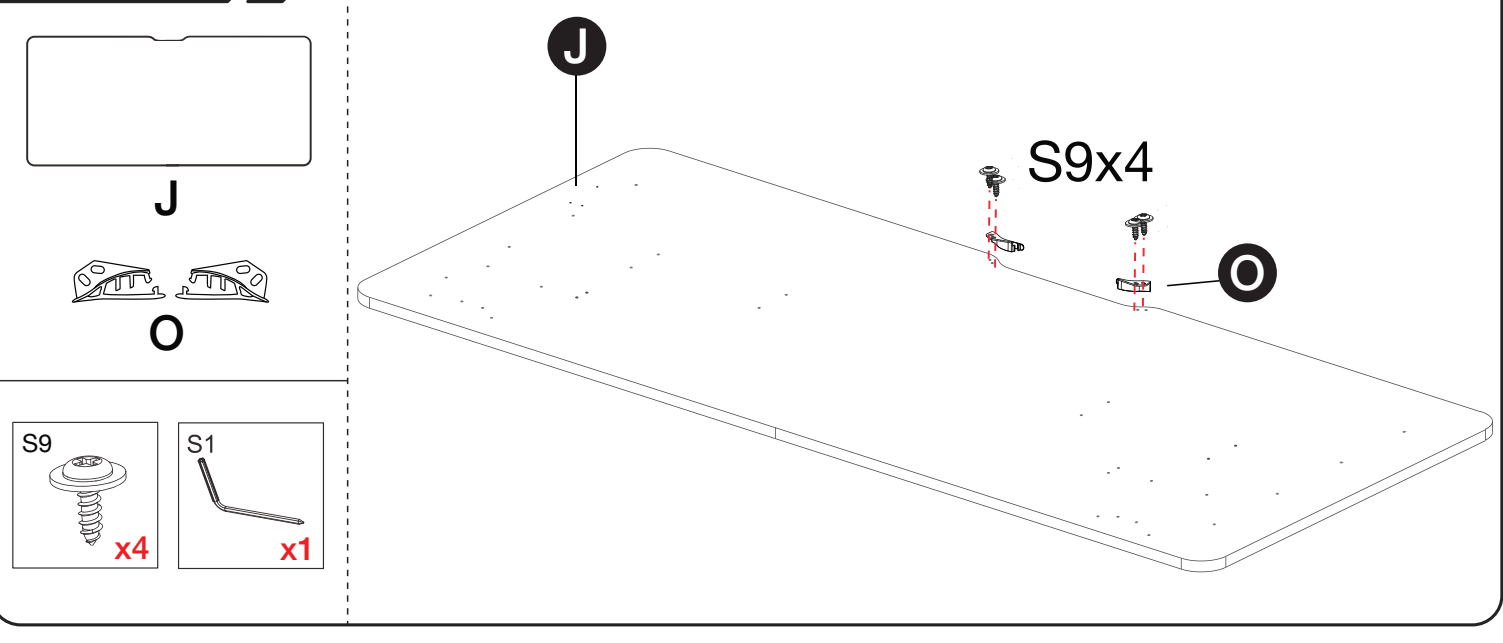
D, **E**, **F**, **S3**, **STEP 2**, **D**, **E**, **F**

S3 x1, **S1** x1

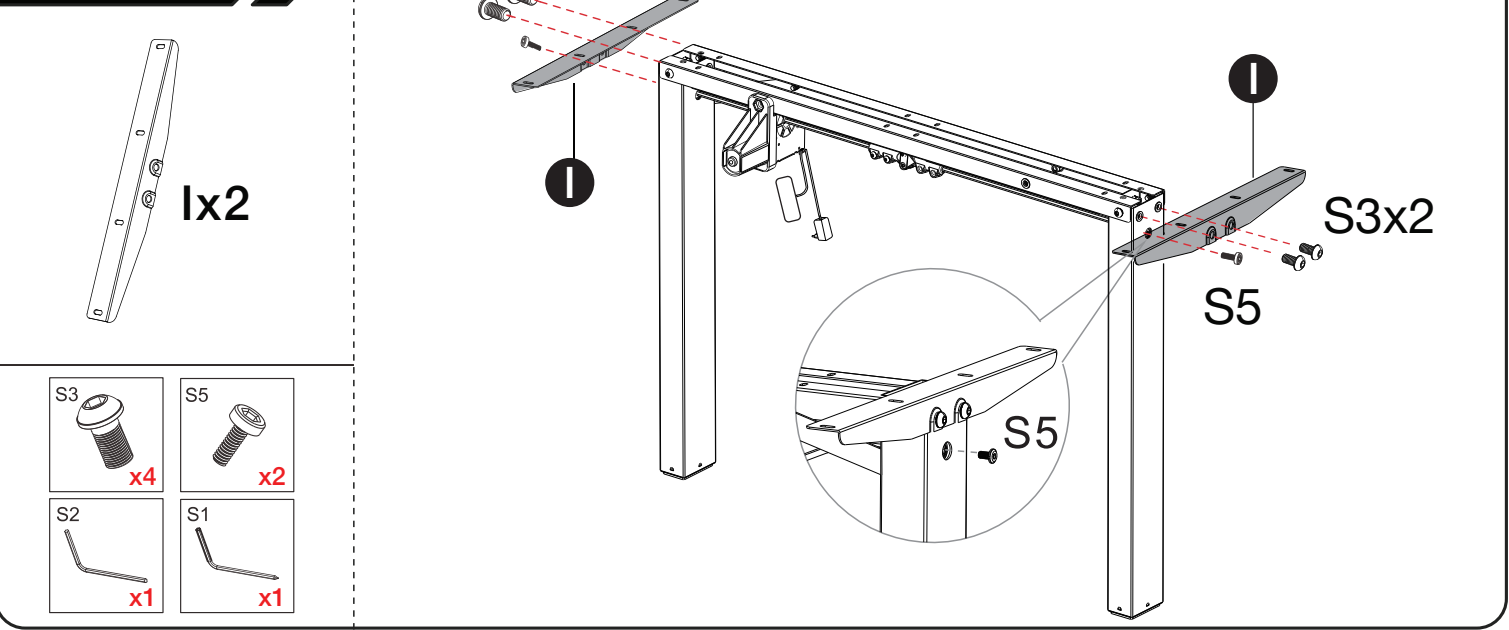
STEP 4



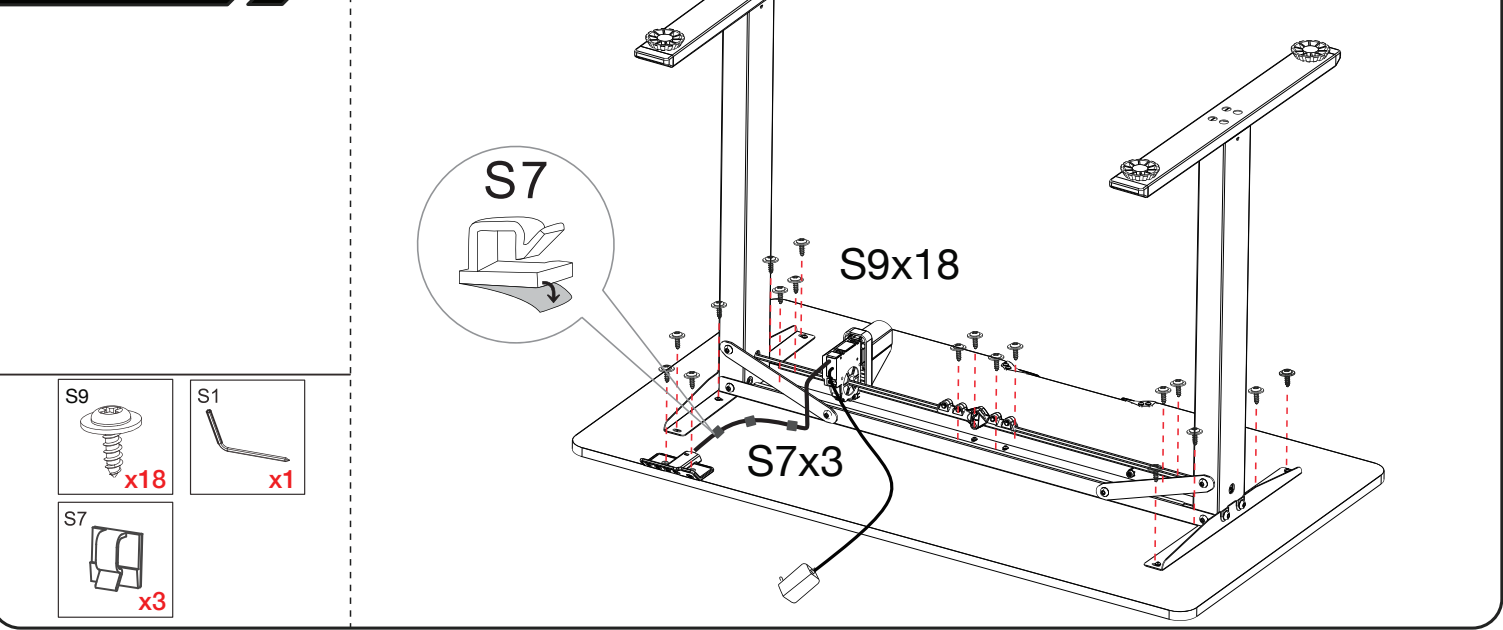
STEP 7



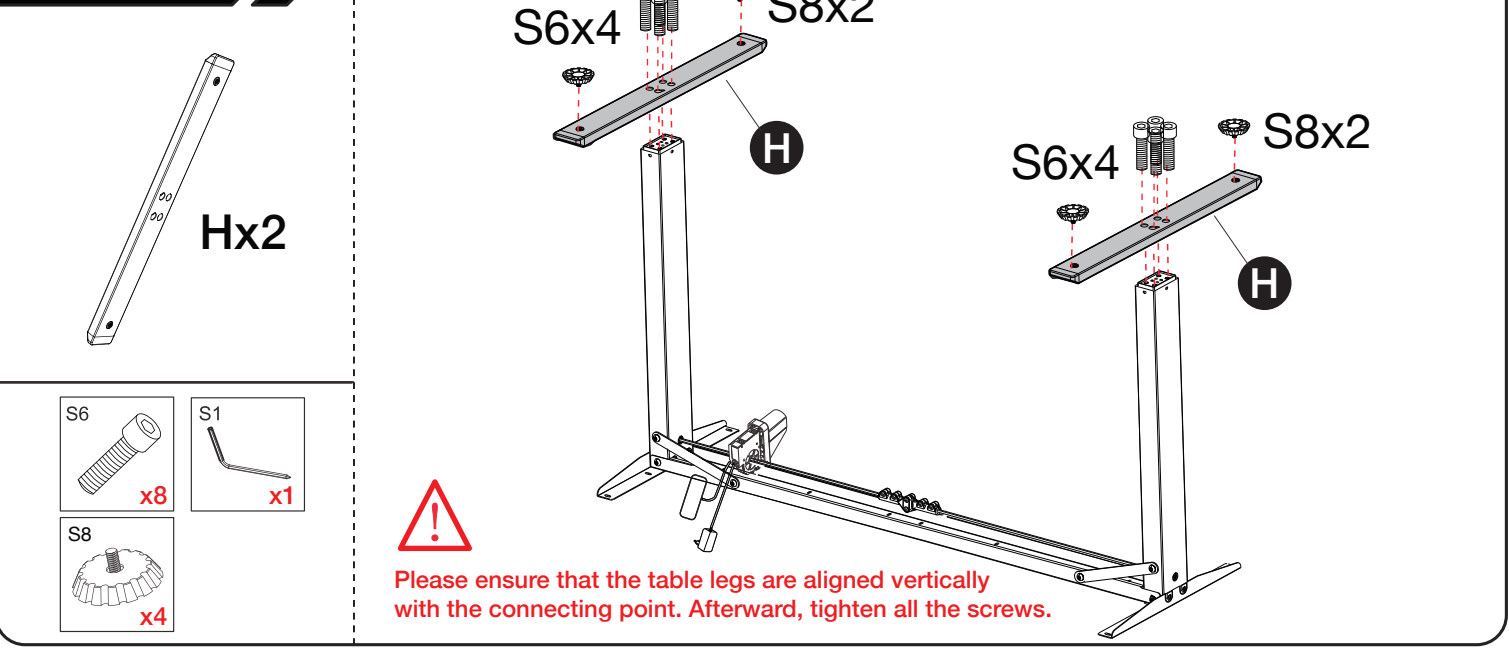
STEP 5



STEP 8



STEP 6



STEP 9

