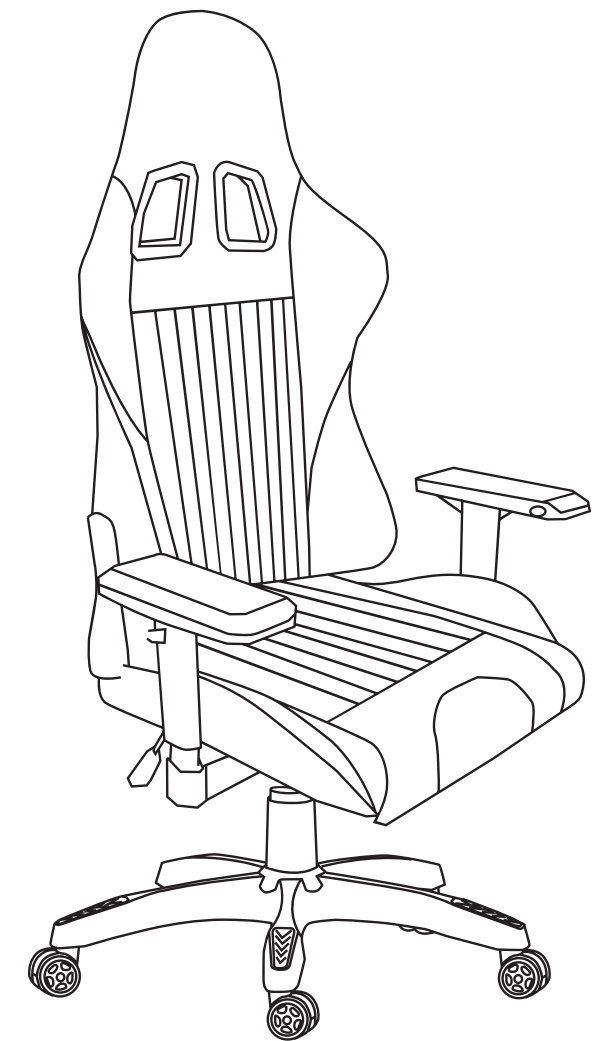


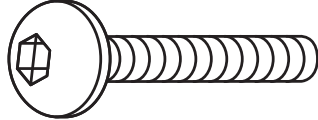
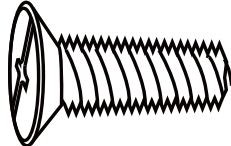
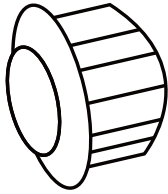
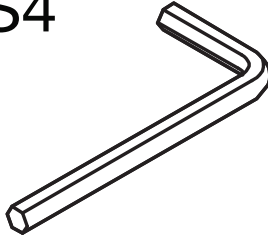
Motion Enforcer Office Chair - Assembly Instruction



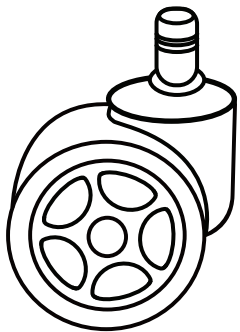


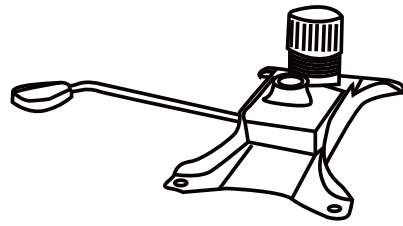
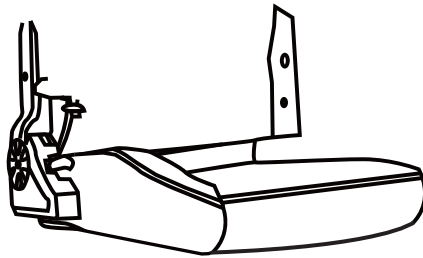

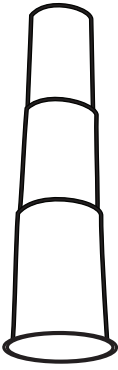
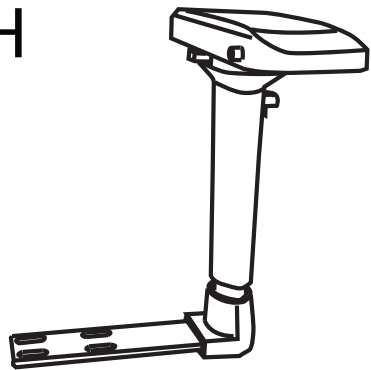
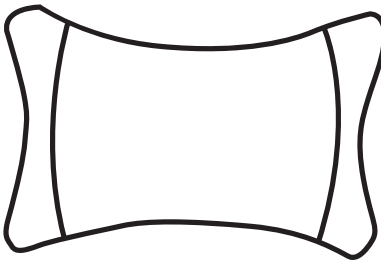
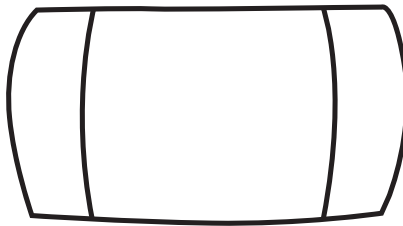
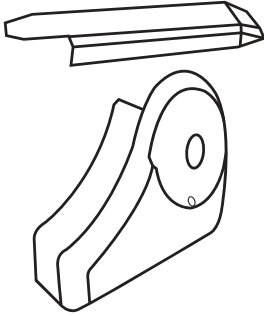
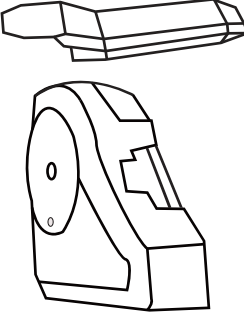
Scan to access the step-by-step installation instructions and video.



SCREW ACCESSORIES

S1  M8*25mm x16	S2  5*10mm x4	S3  x4	S4  6*35*85mm x1
--	--	--	---

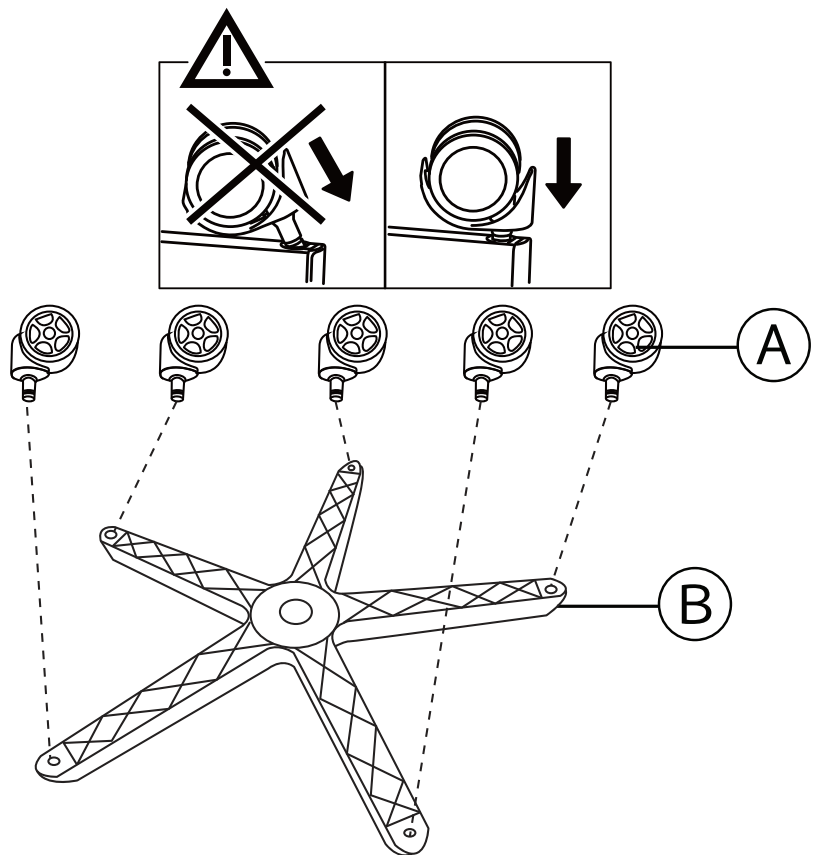
PARTS ACCESSORIES

A  Castor x5	B  Starbase x1	C  Gas Lift x1	D  Mechanism x1	E  Seat Base x1	F  Backrest x1
G  3 Cups Cover x1	H  Armrest x2	I  Headrest Cushion x1	J  Lumber Cushion x1	K  Left Recliner Cover x1	L  Right Recliner Cover x1

 The reclining back should be securely locked in place before use to prevent accidental tipping backward.

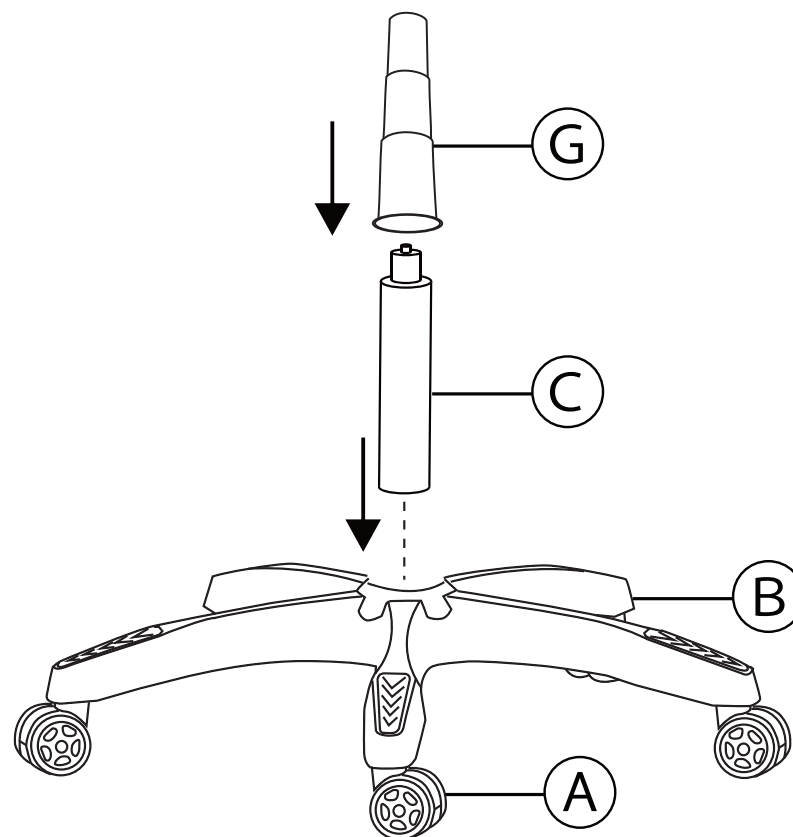
STEP 1

Insert all five castors into the starbase.



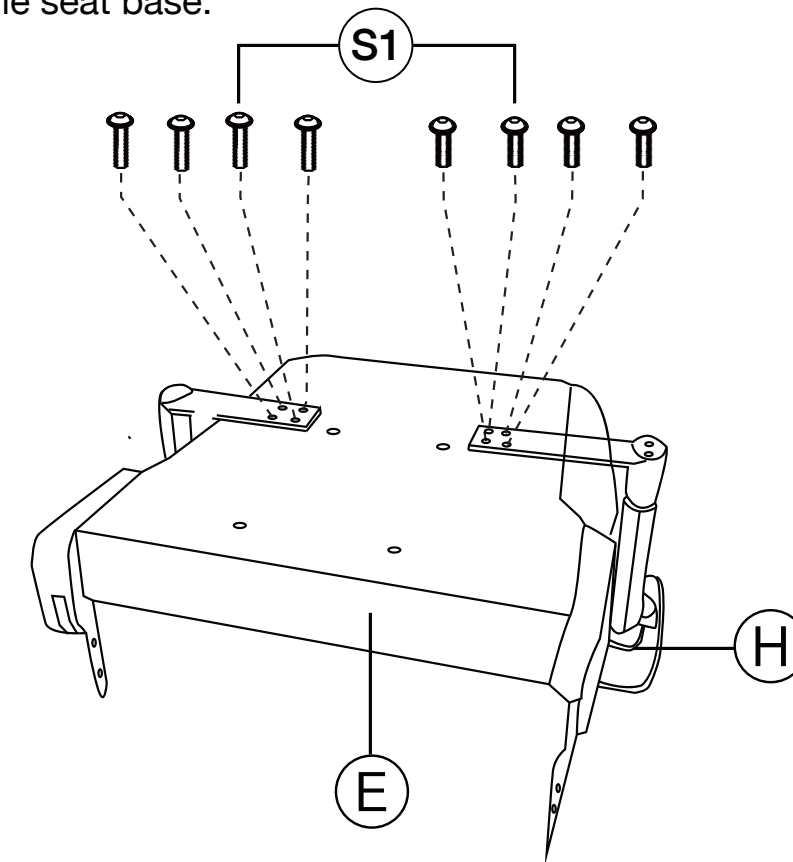
STEP 2

Slide the 3 cups cover down onto the Gas Lift, then insert them both into the starbase.



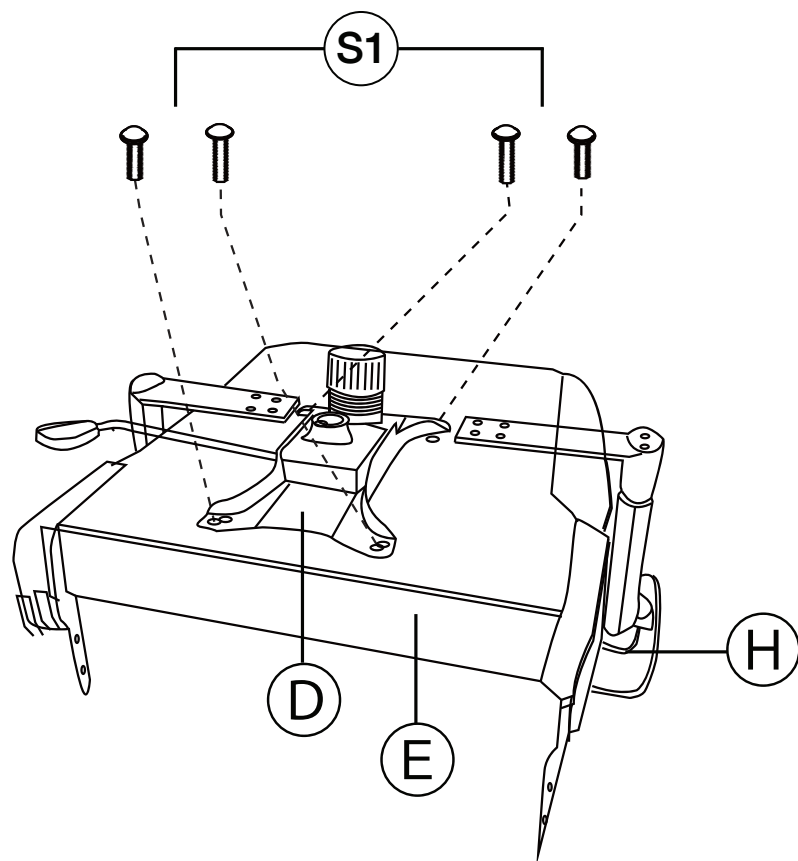
STEP 3

Turn the seat over and attach the two armrests to the seat base.



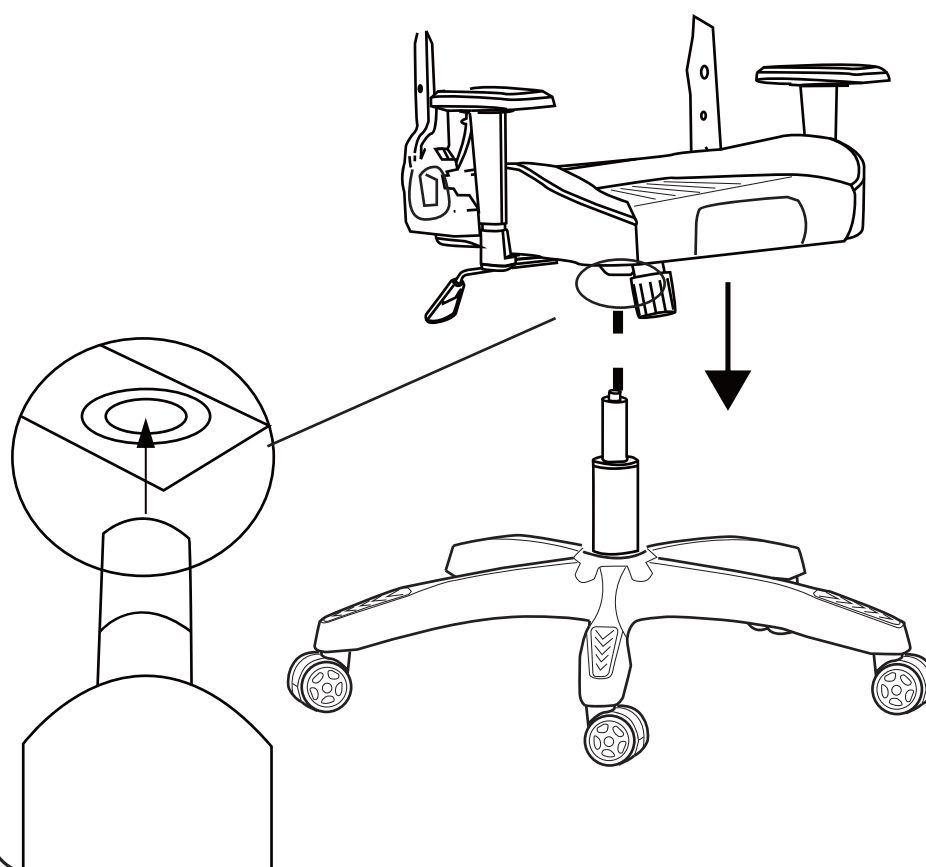
STEP 4

Secure the mechanism into the seat base.



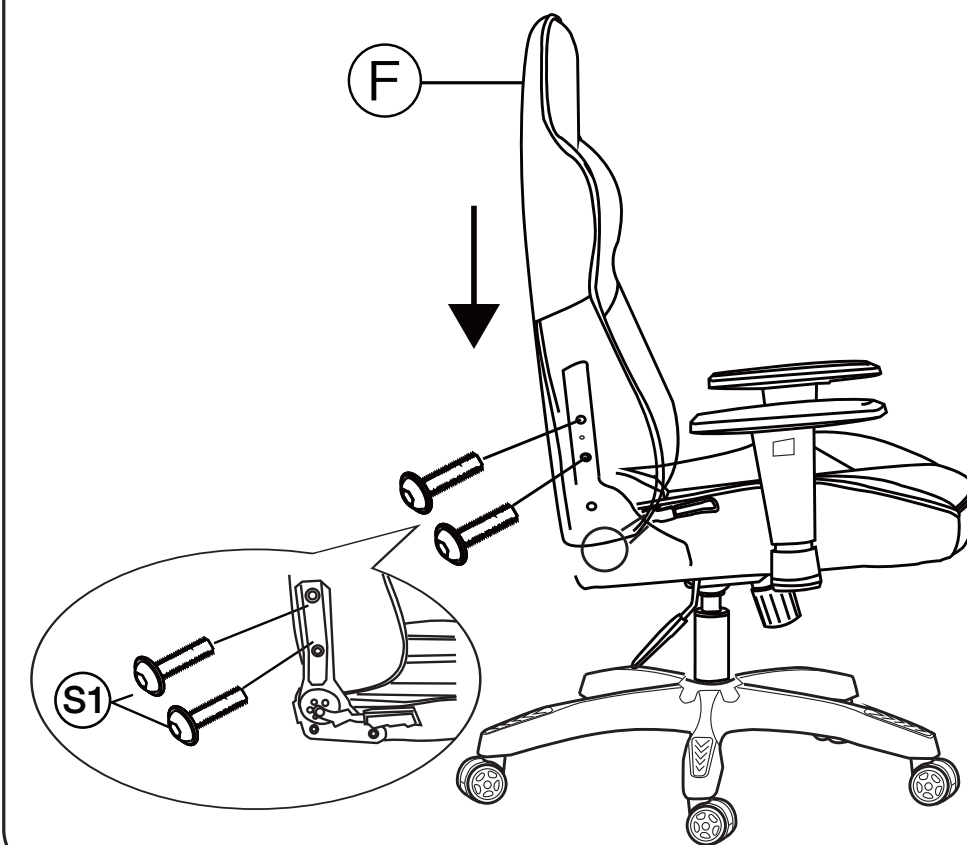
STEP 5

Turn the seat base over and attach it to the Gas Lift.



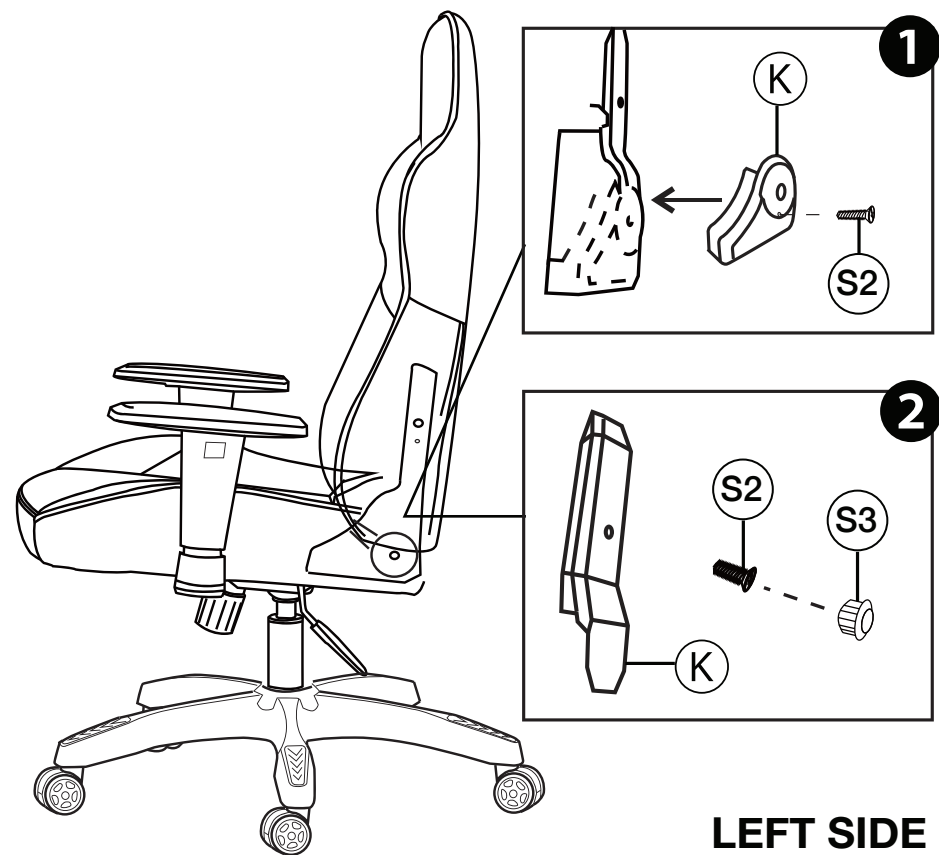
STEP 6

Screw in the backrest to the seat base.



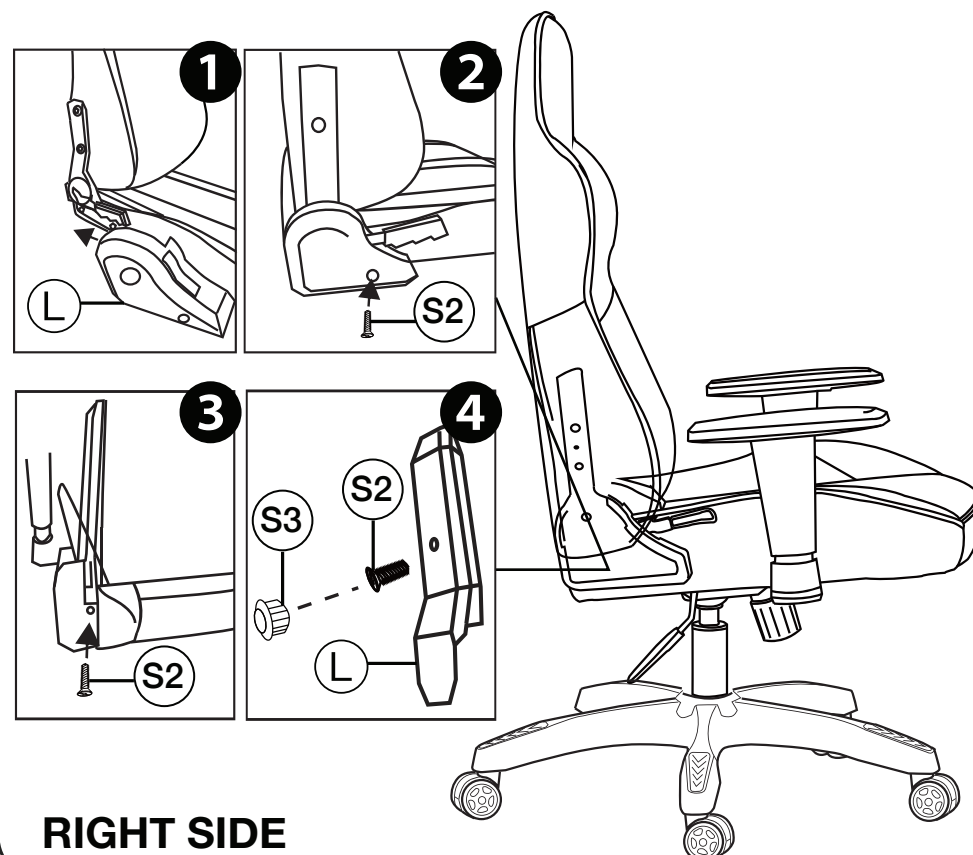
STEP 7

Screw in the left recliner cover to the seat.



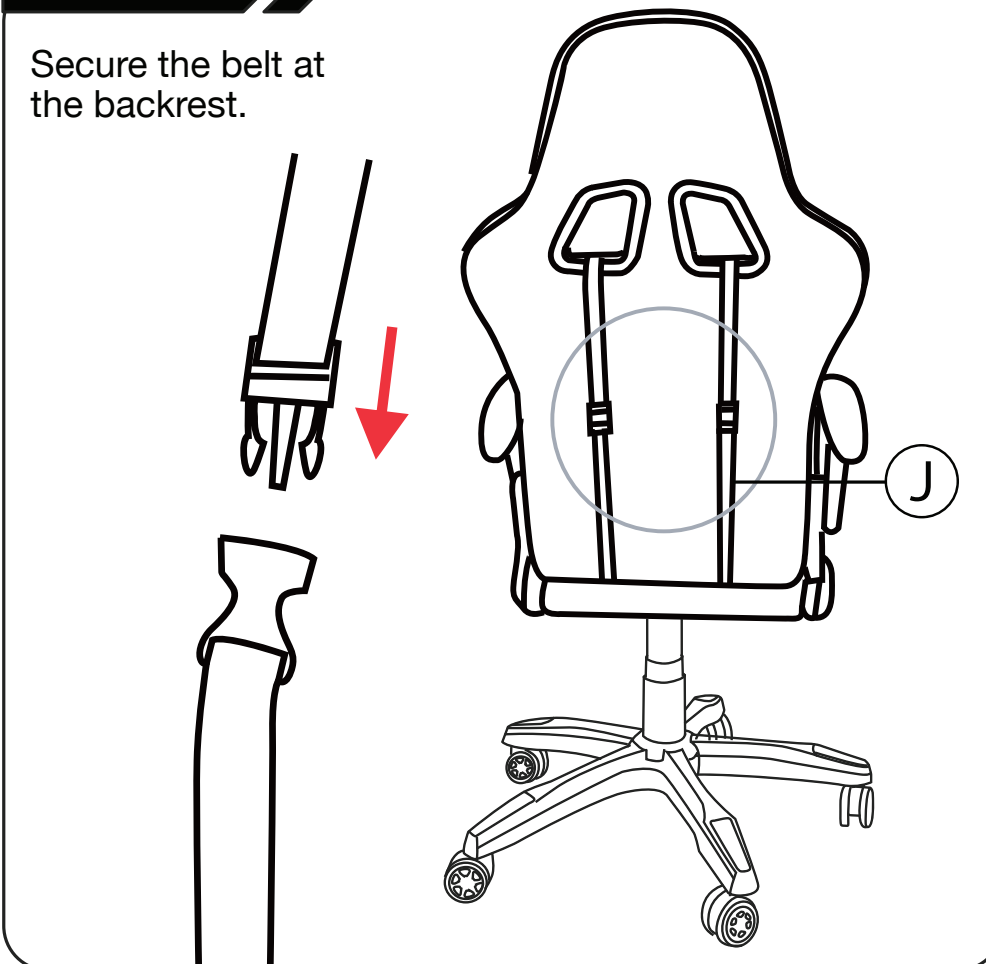
STEP 8

Screw in the right recliner cover to the seat.



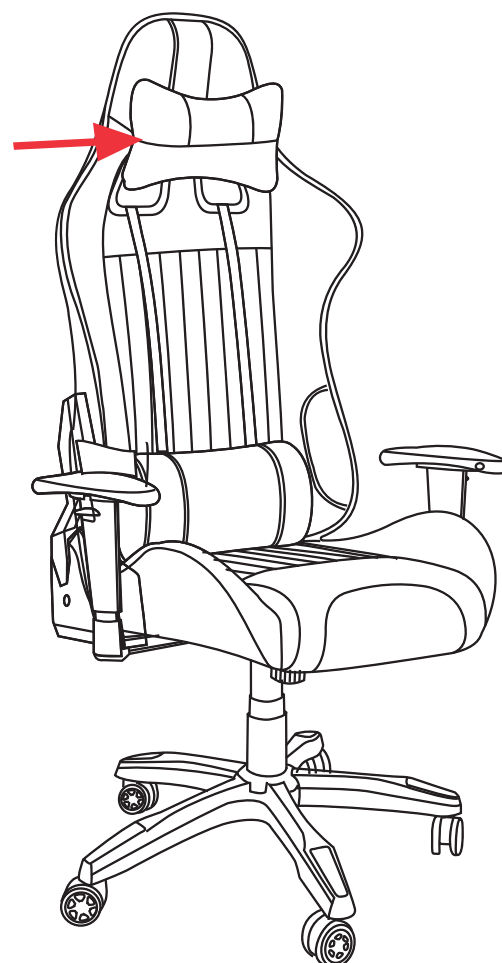
STEP 9

Secure the belt at the backrest.



STEP 10

Simply place the headrest cushion onto the backrest.

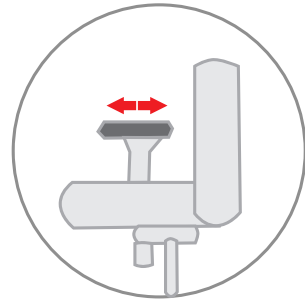


OPERATING INSTRUCTIONS

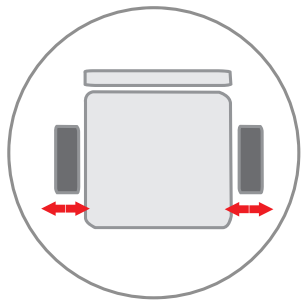
ADJUST ARMREST HEIGHT



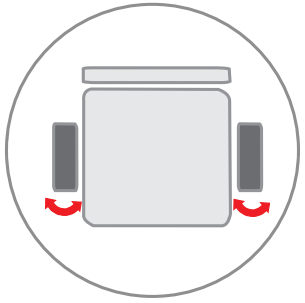
Armrest height adjustment



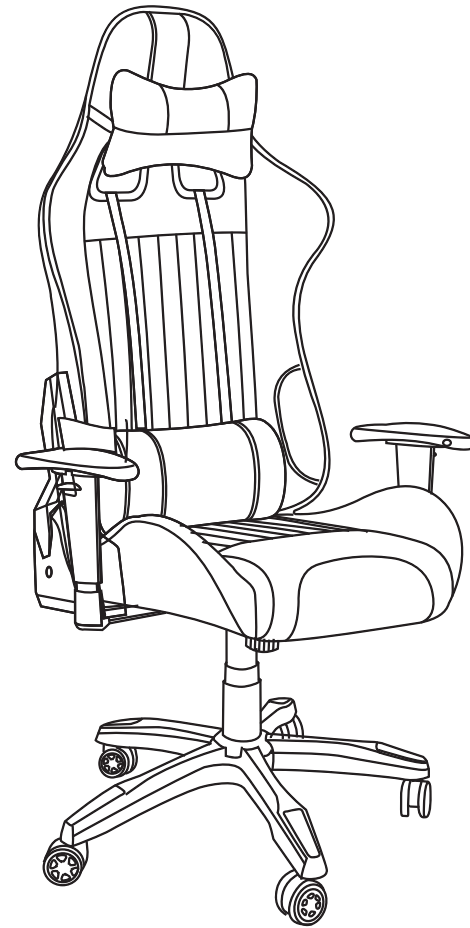
Armrest depth adjustment



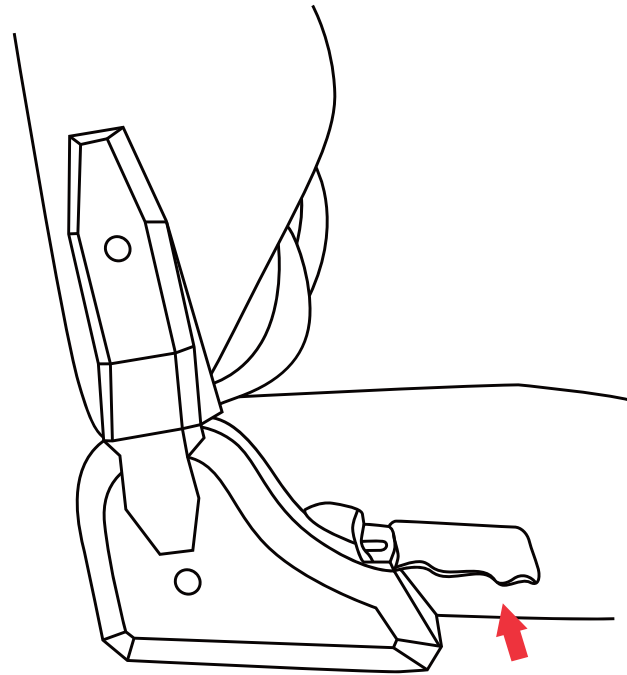
Armrest width adjustment



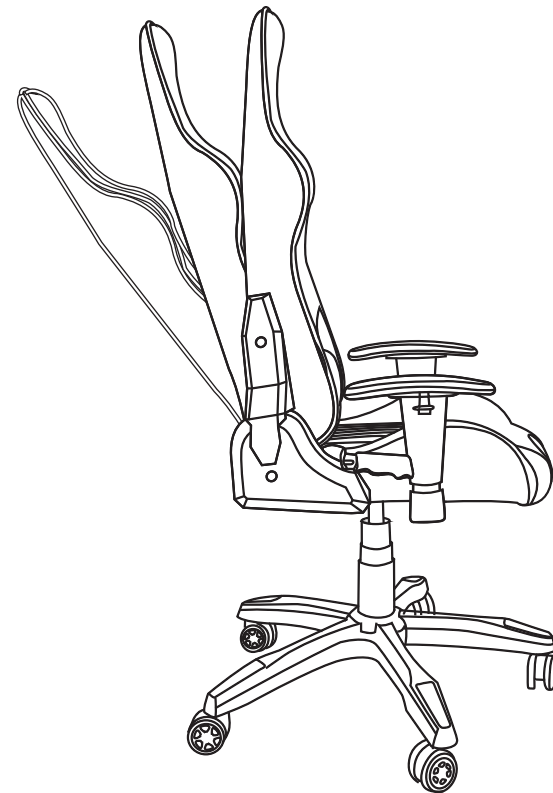
Arm pad inward and outward adjustment



ADJUST BACK RECLINER



1 Start by lifting the recline lever.



2 Then, lean back on the seat to find your desired angle.

