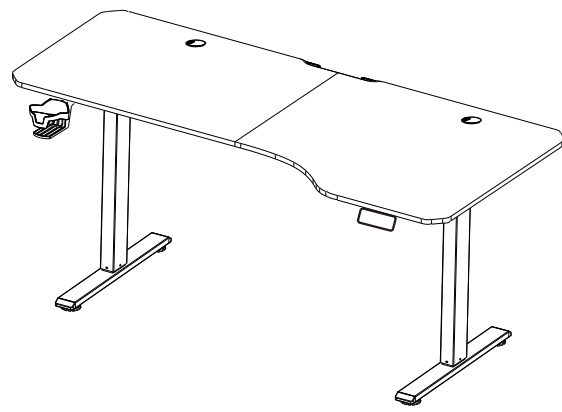
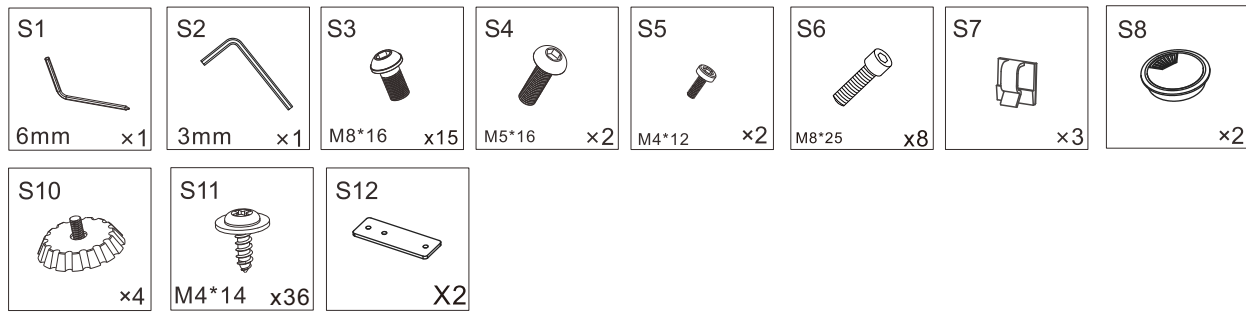


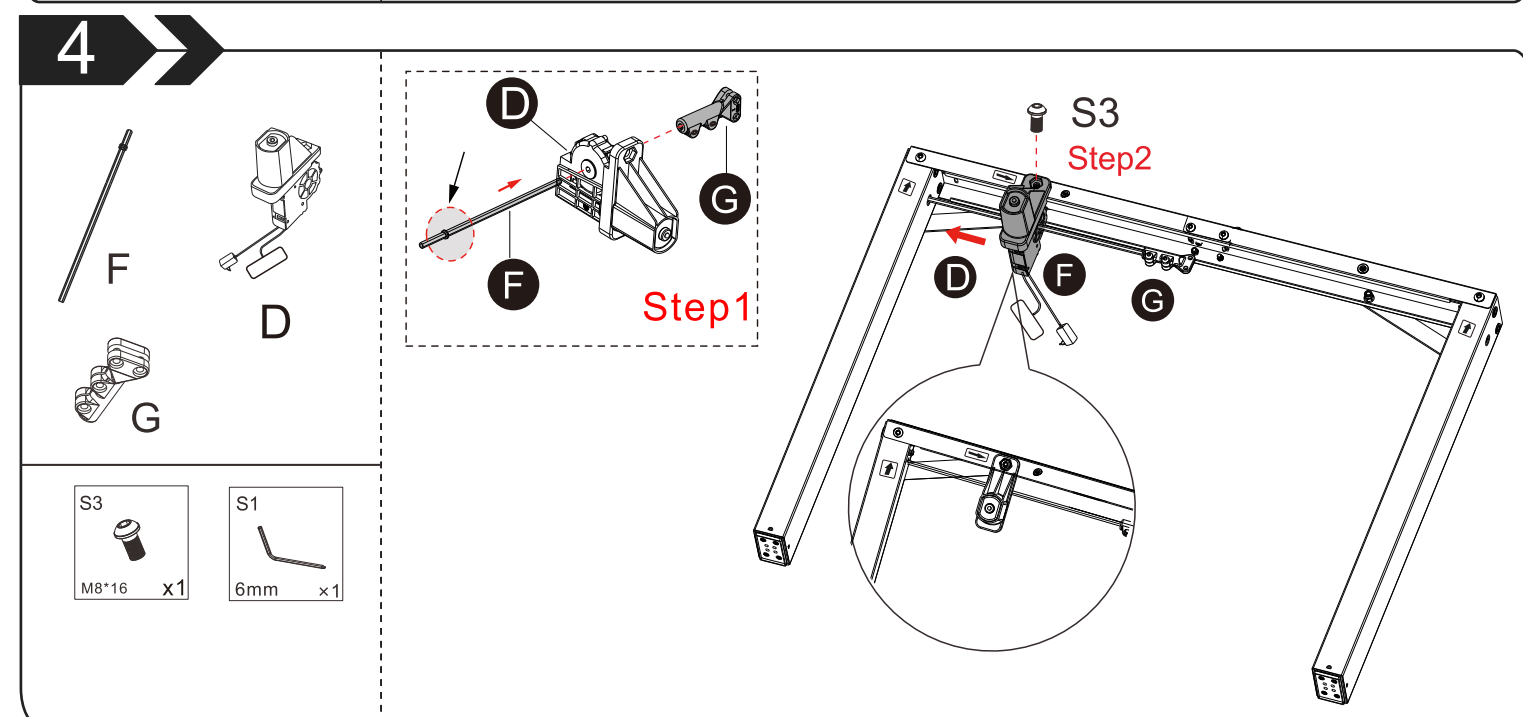
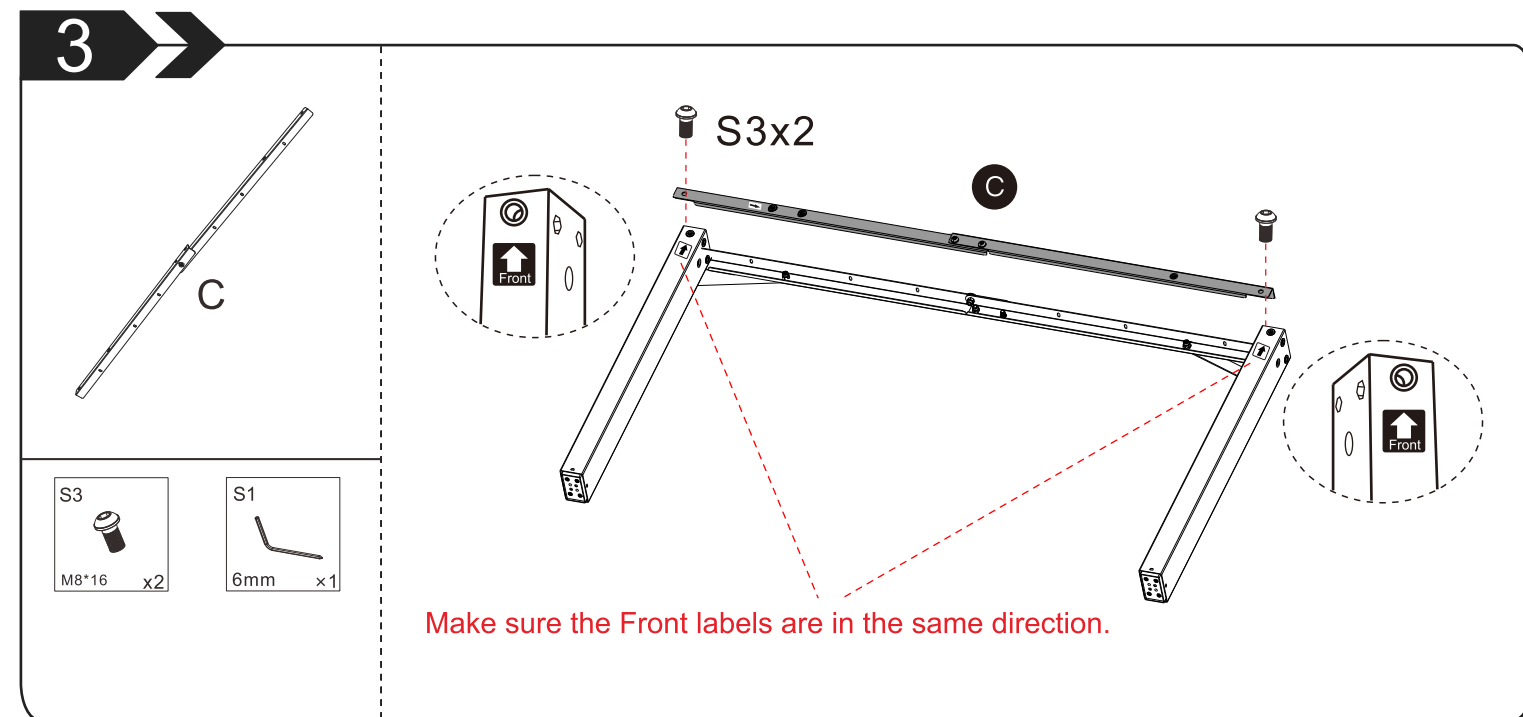
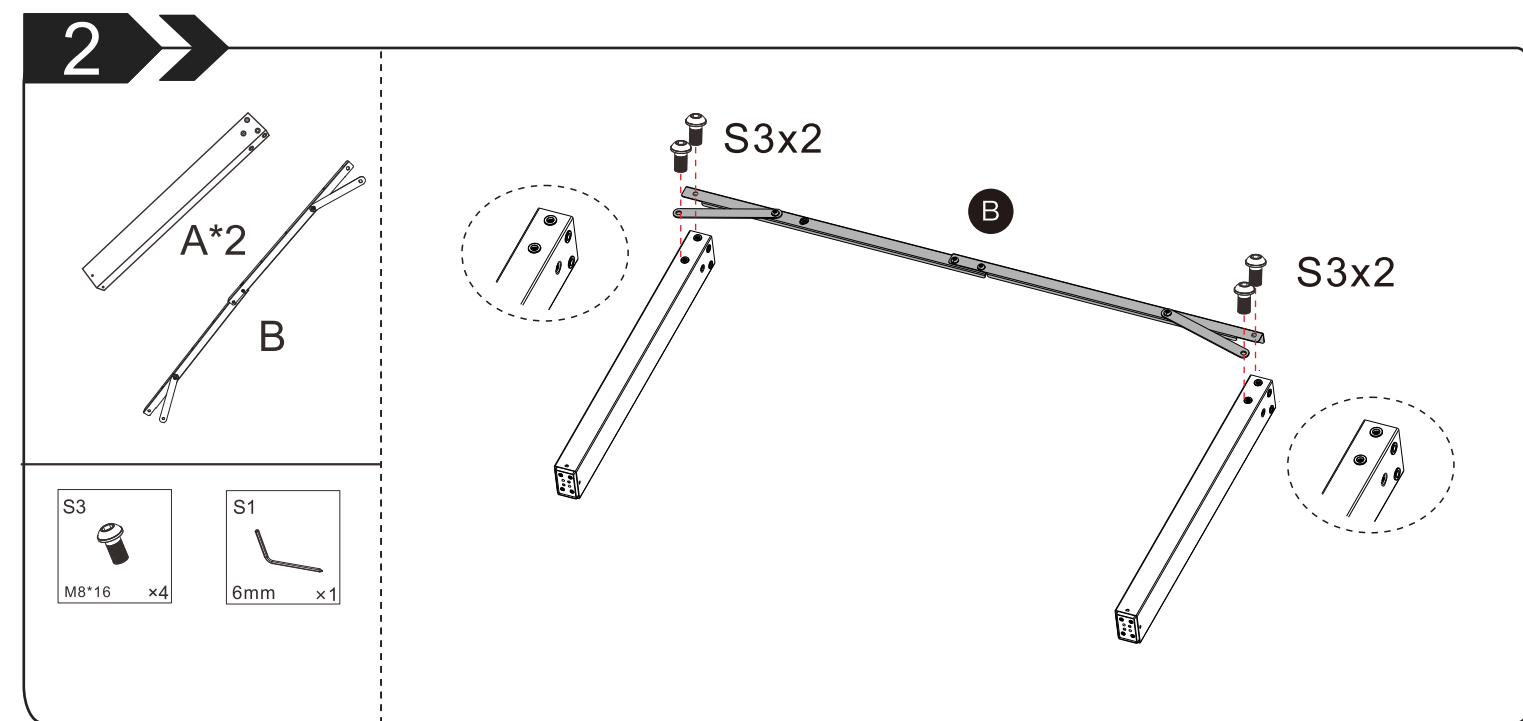
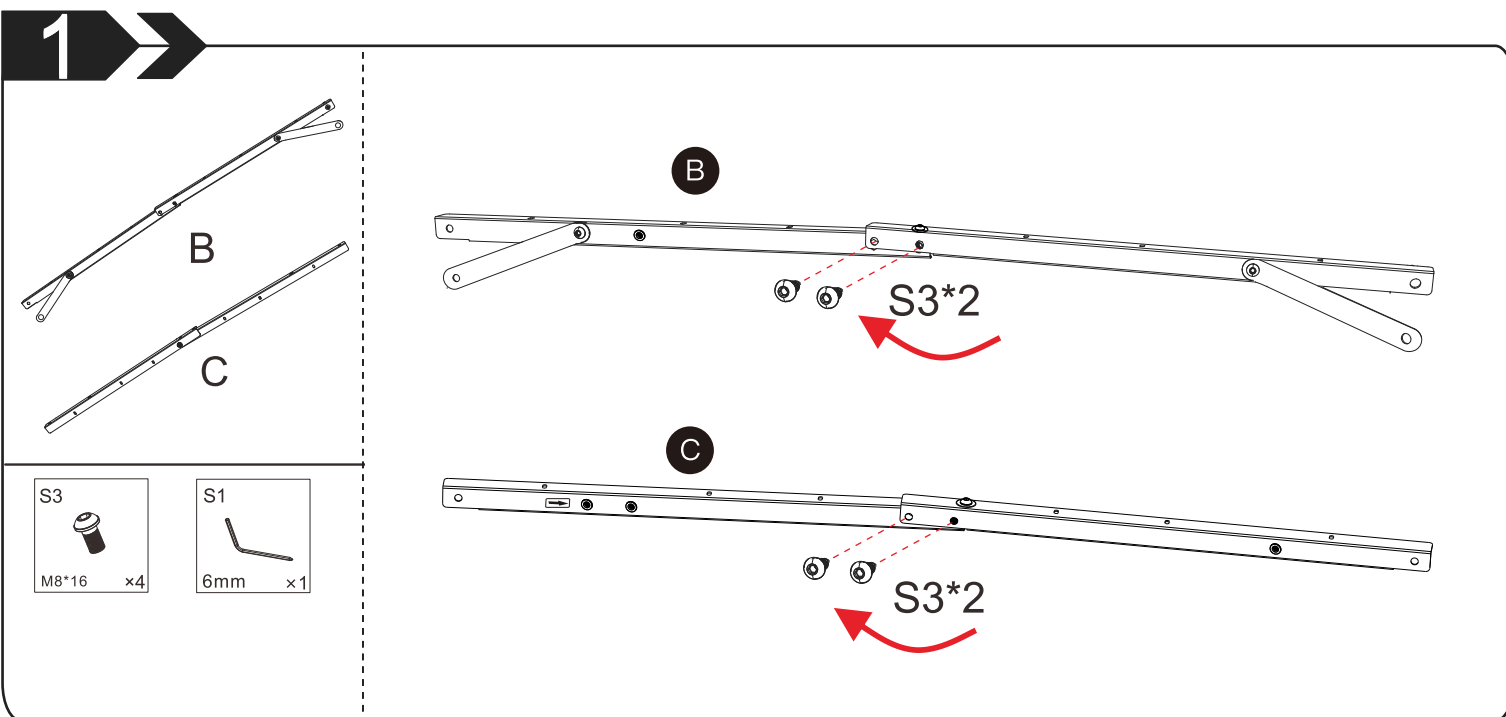
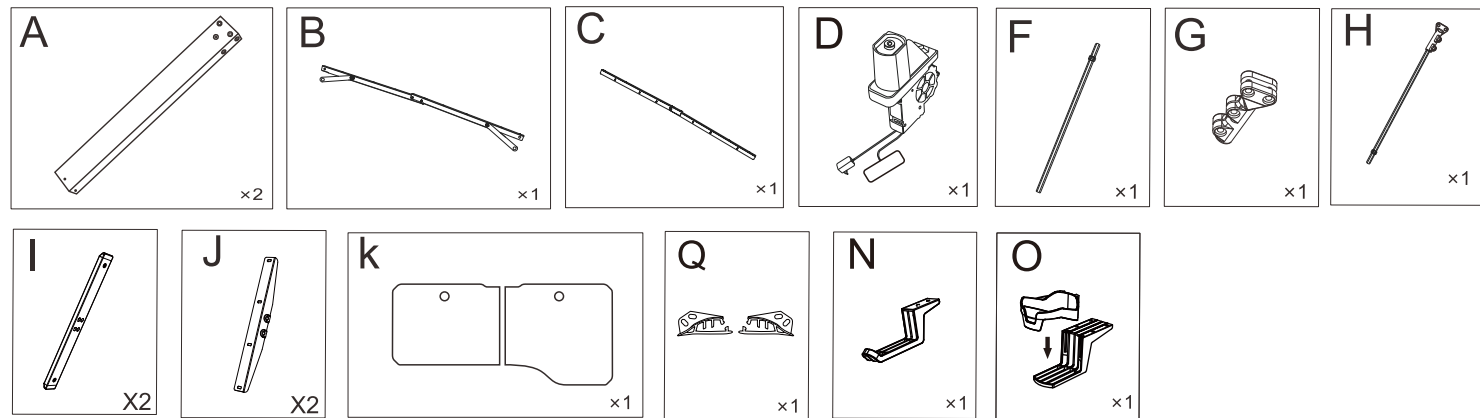
# Assembly Instruction



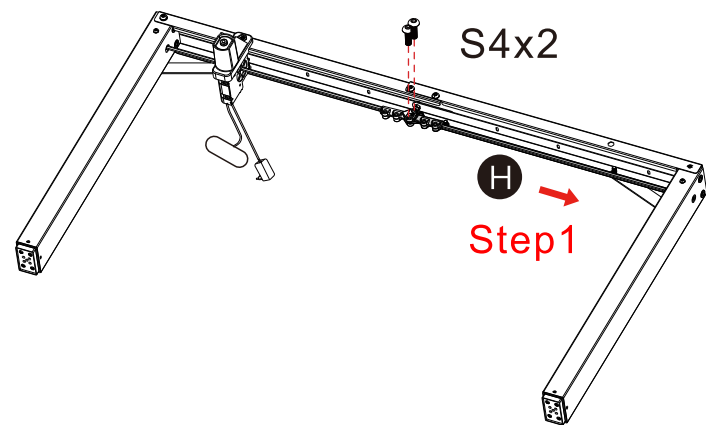
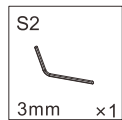
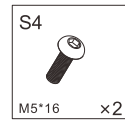
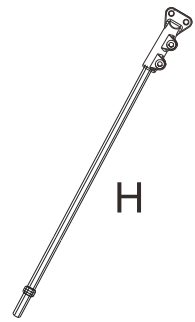
## • SCREW ACCESSORIES



## • PARTS ACCESSORIES

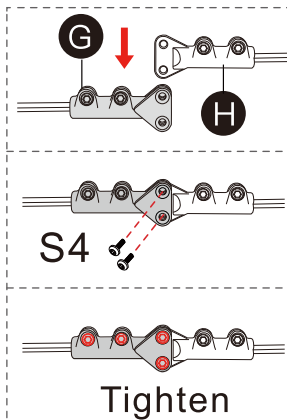


5



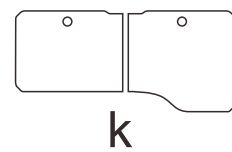
Step1

Step2



Tighten

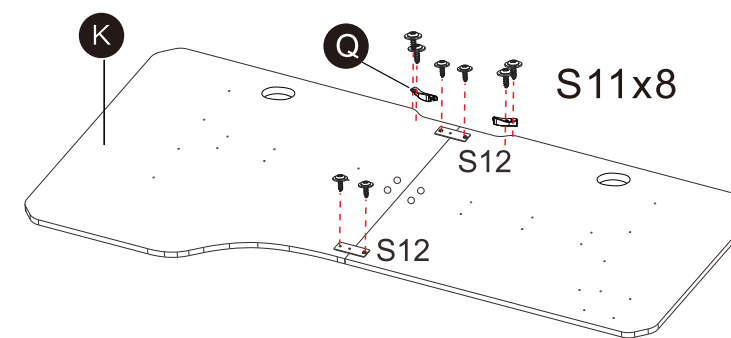
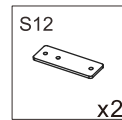
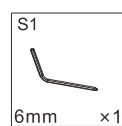
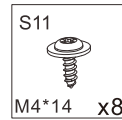
8



k

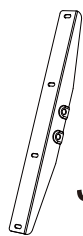


Q

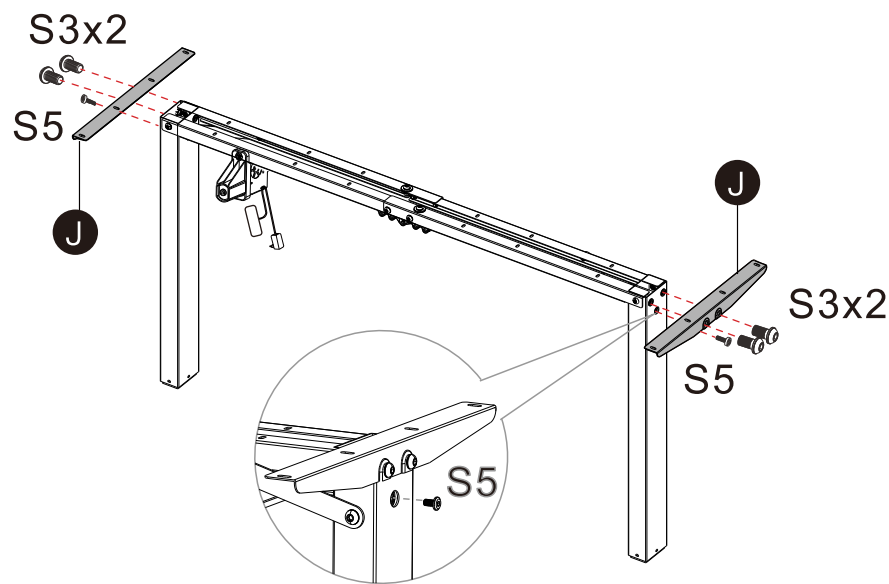
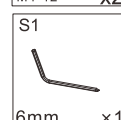
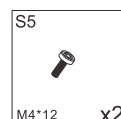
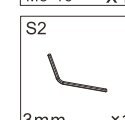
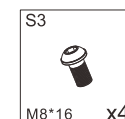


1. Please make sure the two boards are aligned and seamless.  
2. and then tighten the screws.

6



Jx2

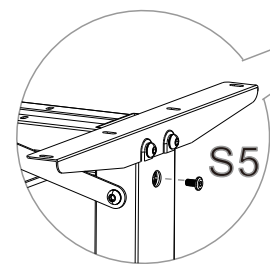


S3x2

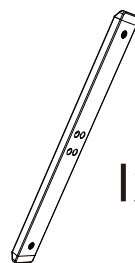
S5

S3x2

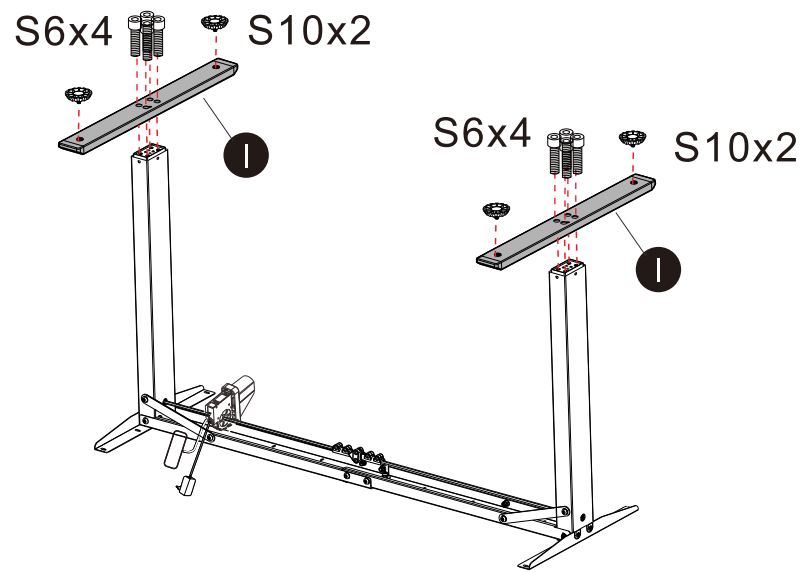
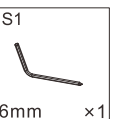
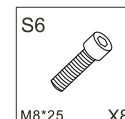
S5



7



lx2



S6x4

S10x2

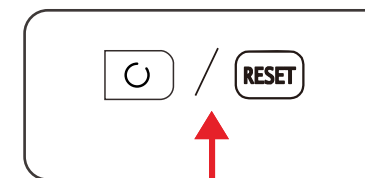
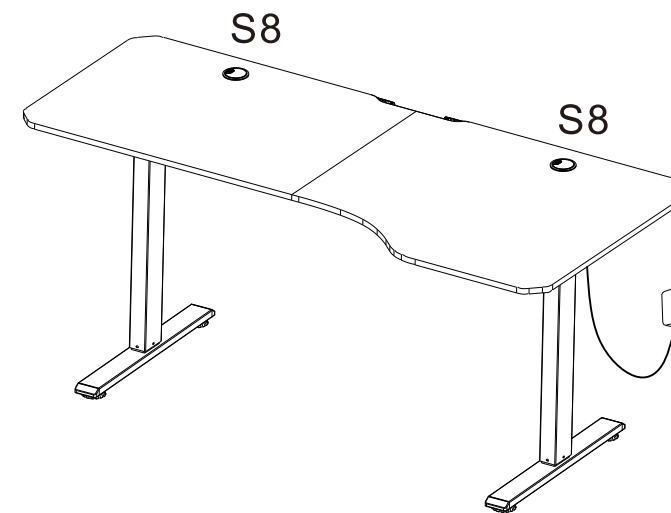
S6x4


S10x2



Please make sure the table legs are vertical to the connecting rod. And then tighten all the screws.

10



After the table is installed, please press the  key to start

The table will automatically drop to the lowest point, stay for 3 seconds, then rise to the highest point, and finally return to the initial position  
- successful installation