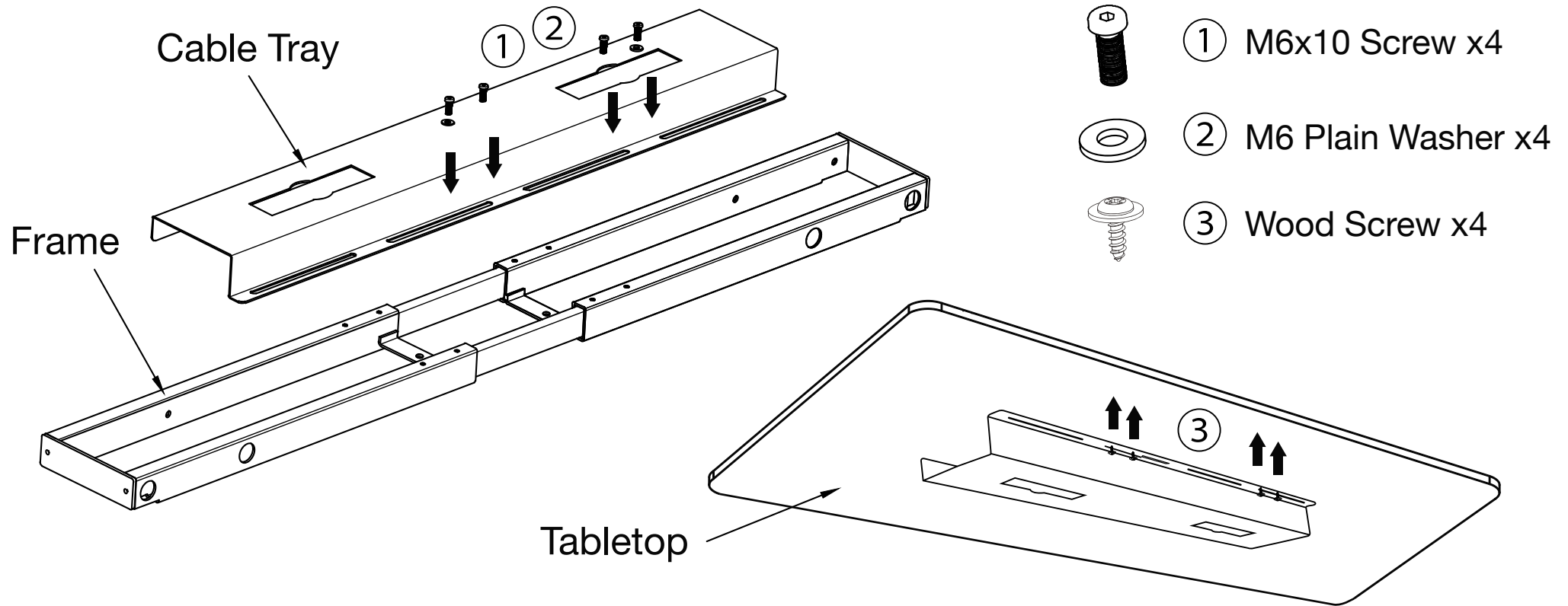


# CABLE TRAY

Assembly Instructions

MotionGrey



## Method 1: Using M6 Screws (Frame Mount)

Align cable tray with the Motion Series Frame, then secure it using M6 Screws and washers to prevent wobbling.

## Method 2: Using Wood Drilling Screws (Tabletop Mount)

Position cable tray underneath the tabletop, then attach it by drilling the wood screws through the tray holes into the tabletop.