

Requirements for Installation

N/A Complete Need Initial

Electrical Requirements

****ISOLATED/DEDICATED 15A CIRCUIT REQUIRED****

PRINTER

1 Outlet

MAIN	AC 100 V to 240 V ±10% 50Hz/60Hz				

Environment

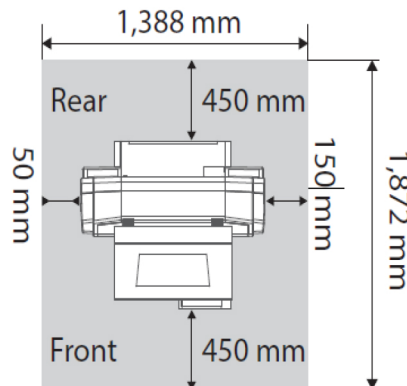
Operating Conditions	Temperature: 68°F - 90°F Humidity: 40% - 60% (No Condensation)				
Printing Accuracy:Warranty Range	Temperature: 72°F - 86°F Humidity: 40% - 60% (No Condensation)				
Rate of Change	Temperature: 4°F/hour or less Humidity: 5%/hour or less				

Communication

Network Interface (Ethernet IEEE802.3)	10BASE-T / 100BASE-TX Auto-switching (RJ-45 connector twist pair cable) MDI / MDI-X Auto-switching				
----------------------------------------	-------------------------------------------------------------------------------------------------------	--	--	--	--

Actual Dimmensions

Height	23.5 Inches
Width	46.8 Inches
Depth	38.3 Inches



Printer Size

Width × Depth : 1,188 mm × 972 mm

Height : 597 mm

Recommended Work Table Size

Width × Depth : 850 mm × 900 mm minimum


Load capacity : 110kg minimum

Ensuring a suitable place for installation

Install this product in a place that:

- is level
- has no vibration
- has low humidity and little dust
- has no direct sunlight or strong lighting shining on it
- has small variation in temperature and humidity
- has no drafts (including those from heating or air conditioning equipment) blowing onto it
- has low levels of electromagnetic radiation and noise

 WARNING	<p>Install this printer within your reach on the table (including when opening the front cover). If you cannot easily open the front cover, adjust the printer position.</p> <p>If you are not in a balanced posture when you open or close the front cover, your hands or other body parts could get caught in it, possibly resulting in serious injury.</p>
--------------------------------------------------------------------------------------------------	----------------------------------------------------------------------------------------------------------------------------------------------------------------------------------------------------------------------------------------------------------------------------------------------------------------------------------------------------------------------

 CAUTION	<p>The place should be well ventilated when you do the installation work. If it is a poorly ventilated place, install a ventilating device.</p> <p>Otherwise, the odors from the inks could impact your health.</p>
--------------------------------------------------------------------------------------------------	----------------------------------------------------------------------------------------------------------------------------------------------------------------------------------------------------------------------------

Additional Receiving Information

	Yes	No	Needed
Is a loading dock available?			
Is a delivery truck with lift gate required?			
Is a forklift available? A forklift may be used to lift the pallet and crate off of the delivery truck.			
Is a rigging company required?			
Additional Personnel (2 people required to lift the printer)			

DO NOT TILT - the printer cannot be titled beyond the allowable max 30-degree angle, cannot be turned on its back or stood on end in any way or the warranty will be voided.

Company Name	
Address	
Phone	
Fax	
Email	

Pre-Site Eval completed by	Name		Date	
	Sign			
Company Manager/Owner	Name		Date	
	Sign			



MUTOH America, Inc.
4405 E. Baseline Rd., Ste 120
Phoenix, Arizona 85042
(T) 480.968.7772
(F) 480.968.7990

Checklist for dealers to prepare the customer for the installation of the printer.

The following is a list of topics which should be completed prior to the arrival of the install technician.

Required Items

Rip Computer on Site and Operational	See Page 5 of this document for SAi computer requirements.
Physical Properties of Site	See Pages 1 and 2 of this document for physical site specifications.
Electrical Requirements	One Dedicated 20 amp circuits. Do not use long extension cord.
Delivery	Make sure customer takes delivery and has product in the room ready to unpack at install. Check Tip & Tell and Shock sensors, if activated make note on Way bill.
Installation Day	Ensure there will be at least 3 people able to lift printer on to stand with Mutoh technician.
Ink and Media	Make sure end user has ink and media(roll & rigid) to test print on during install and training.
Network Cable	Cat5 or Cat6 patch cable if switch is used. Crossover cable if direct connection to printer is used.
Customer Availability	Insure customer will have 2 people available to dedicate 16-20 hours of uninterrupted training time during install.
Dealer Availability	Insure dealer representative will be able to attend install and assist with any issues that come up.

Optional Items

Poly Propylene Bottle	Poly Propylene Bottle for temporary storage of waste ink. 1 gal min..
Paper Towels	Clean up of minor messes and rigid media cleaning.
Anti Static Spray	For use with media that has static issues.
Isopropyl Alcohol	For cleaning printer and rigid media. 70% to 99%
Metal Ruler	24" (500mm min.) with millimeter markings on one edge.



Hardware Requirements

To keep your SAI software working at its peak performance, we recommend the following settings:

Windows

Operating System

Windows 10, 8, 7

RAM

1GB Minimum, 4 GB or more recommended

Screen Resolution

1152 x 854 minimum, with 16-bit color or higher

Install Space

1GB Free for base program plus extra install space for ICC Profiles

Working Disk Space

4 GB

Note: Internet connection required for Cloud Window features and services as well as license activation.