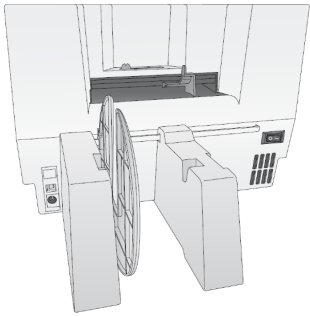


ICOLOR 250

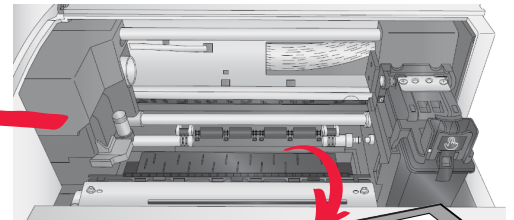
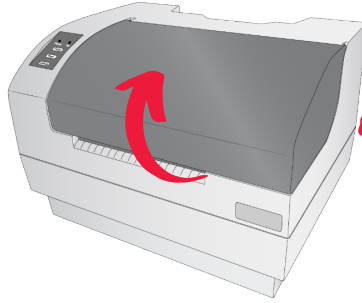
Digital Desktop Color Label Printer + Die Cutter

Quick Start Guide

For detailed instructions please refer to the UNINET IColor 250 Printer User Manual. Download Quick Start Guide, User Manual and video at icolorprint.com/support



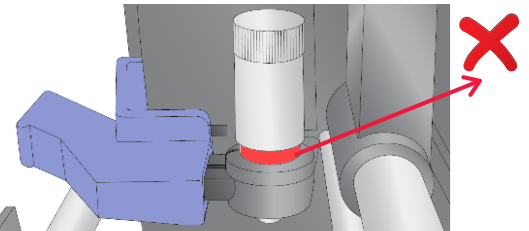
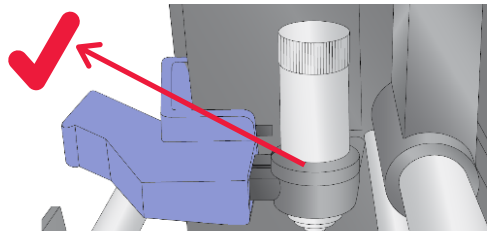
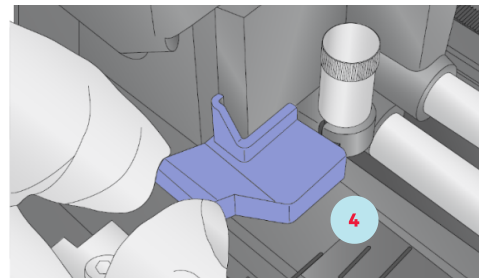
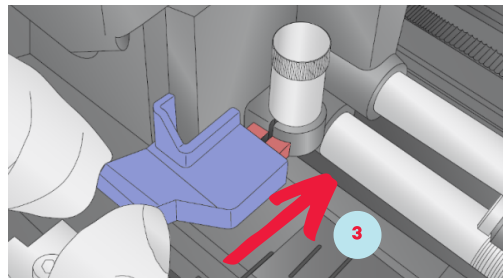
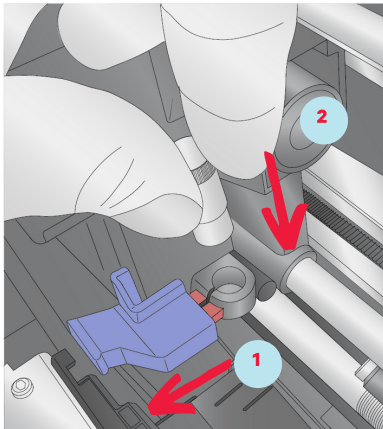
PRINTER'S BACK



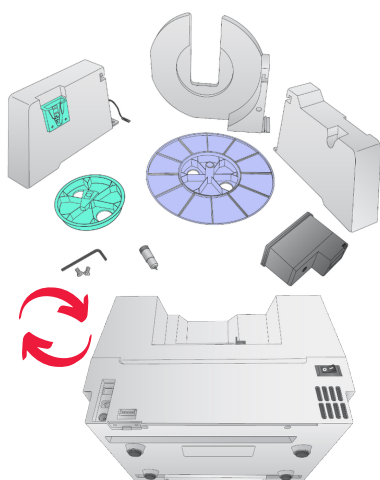
INTERIOR



DIGITAL DIE CUTTING KNIFE INSTALLATION



Run Software Installer Before Connecting USB



PRINTER PARTS

