



10 : 00

estimated
assembly time



1 or more

people required

Ok, let's
get started!



- Put on mood music!
- To prevent damage to product, use the clean side of package carton or rug as working surface for assembly.
- In the event of missing or damaged parts, delivery problems etc., please reach out to our team. We will be happy to fix the problem!

care guide

- Clean regularly with a soft and dry cloth.
- To protect finish, avoid use of abrasive cleaners.
- Wipe up spills immediately. Please!



product parts



(A)
Tabletop
x1



(B)
Legs
x4

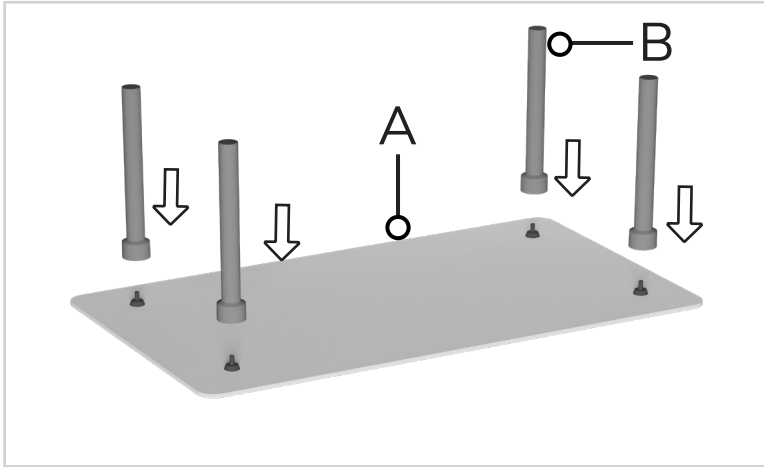
assembly instructions

Friendly Tip: Take a deep breath going in. This may be a tricky part, but nothing too overwhelming. Just follow these steps to the T and the outcome will be worth it!



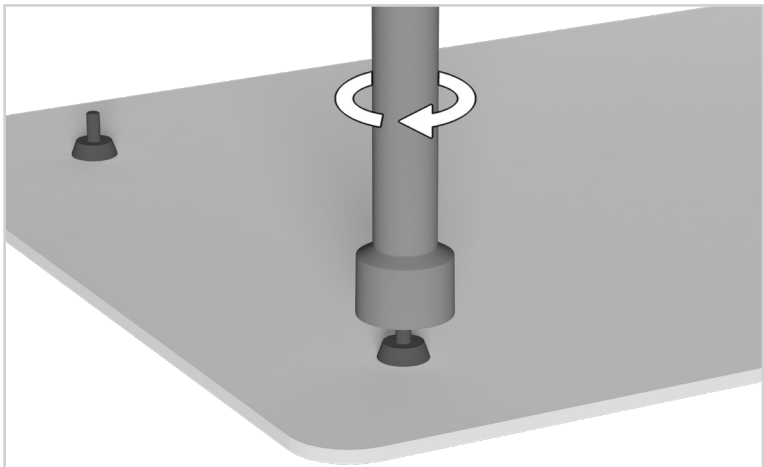
step 1:

Place tabletop (A) upside down. Taking the image as reference, put legs (B) on the screws attached to tabletop (A).



step 2:

Start securing each leg (B) by rotating it clockwise.



Voila! Your table is now assembled and secure!

you've
got
a home
with us

